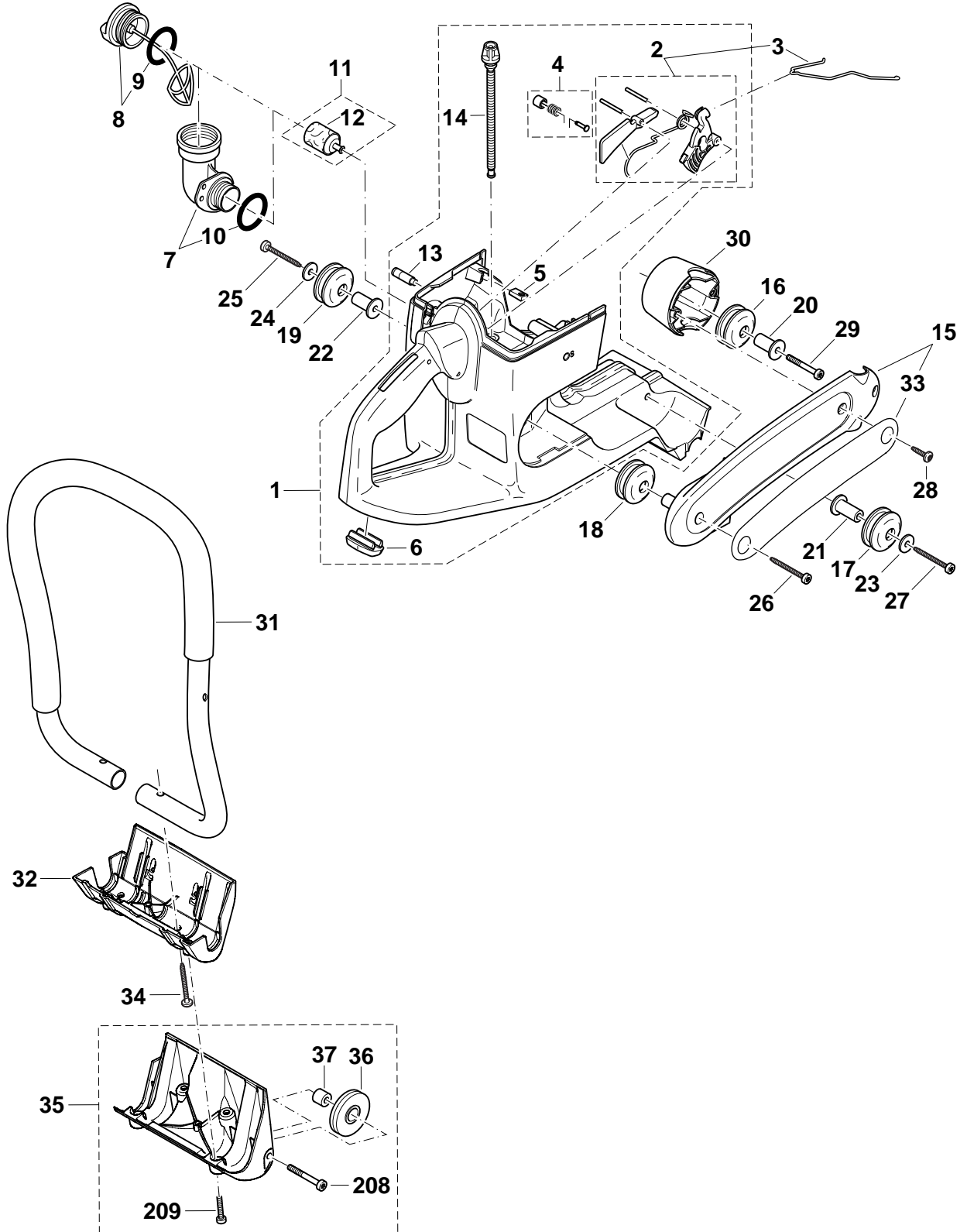
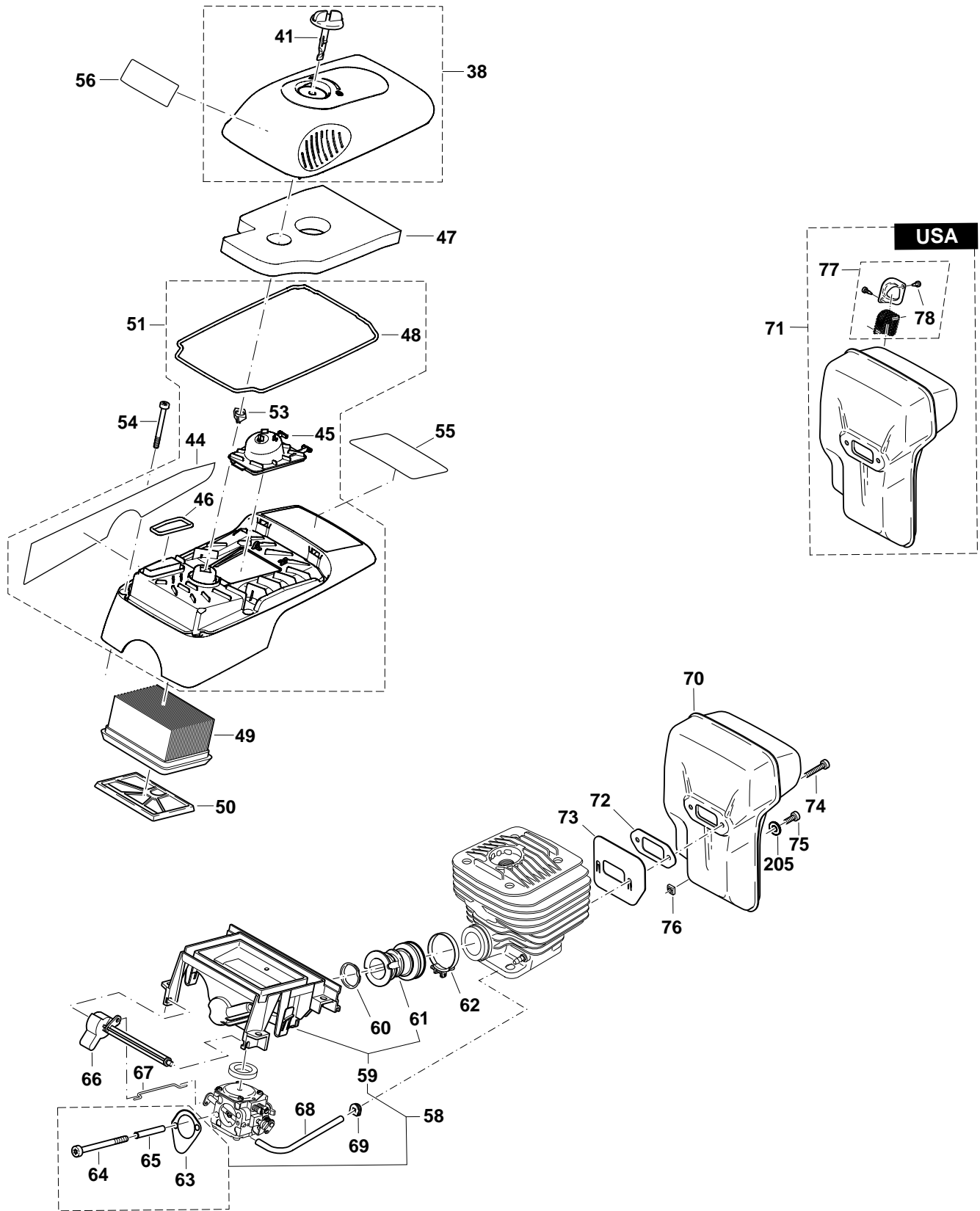


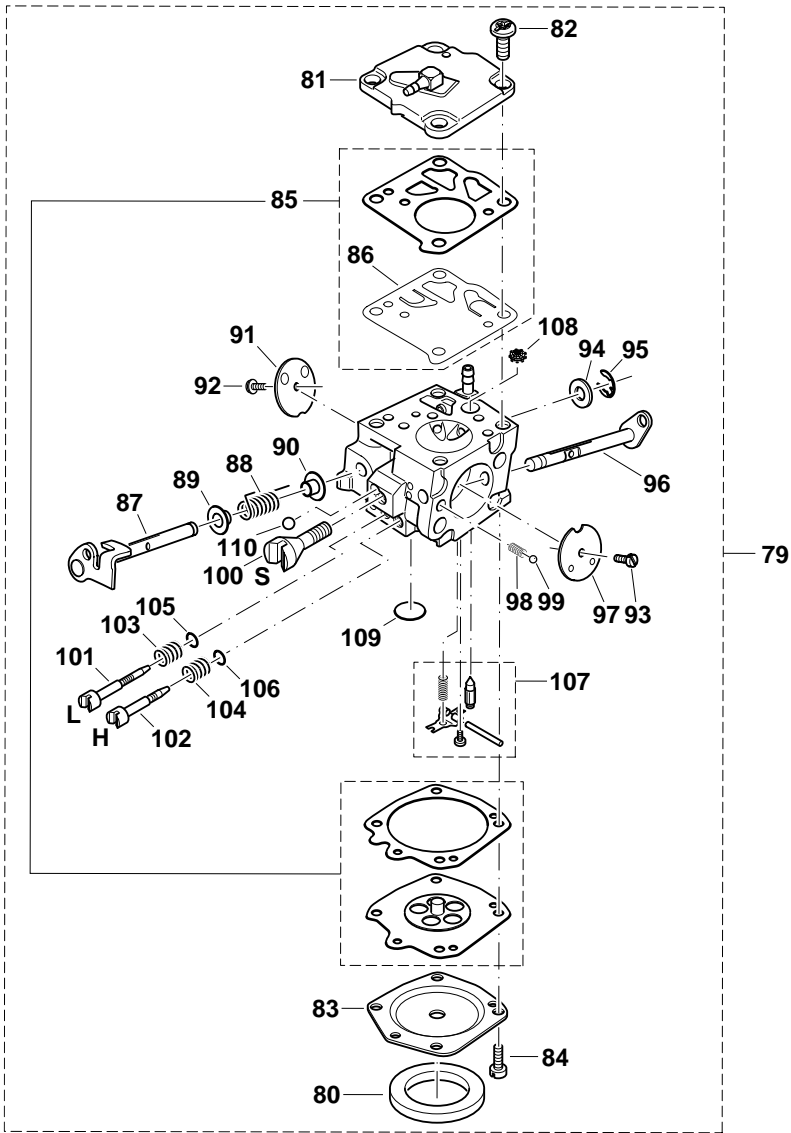
Tank and Handle Grips



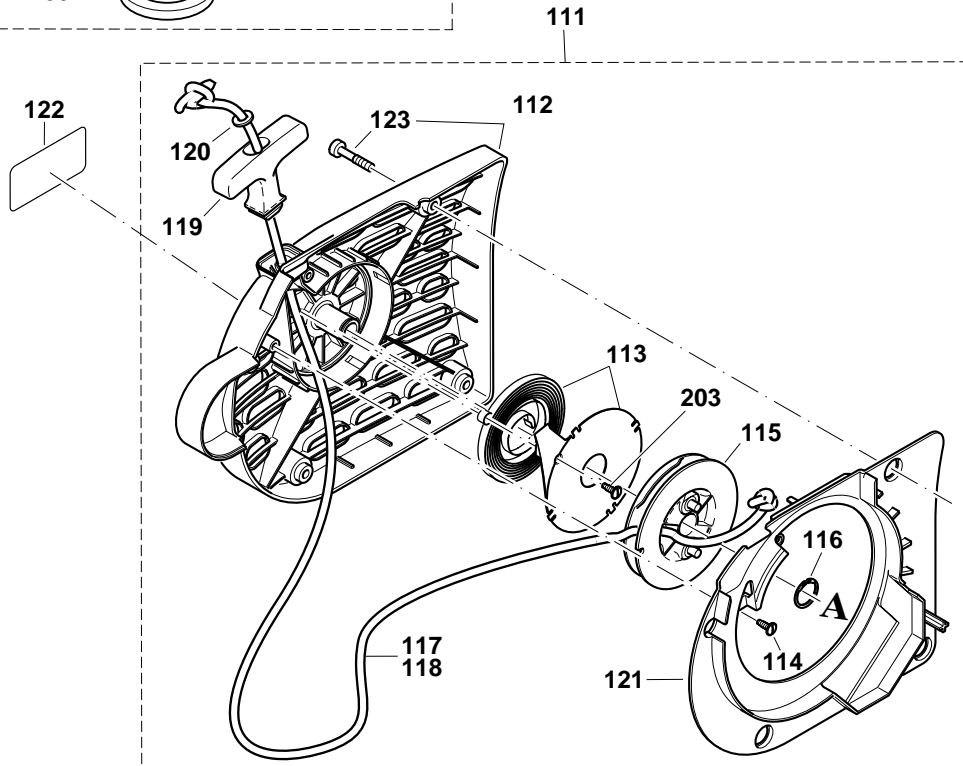
Hood, Air filter, and Muffler



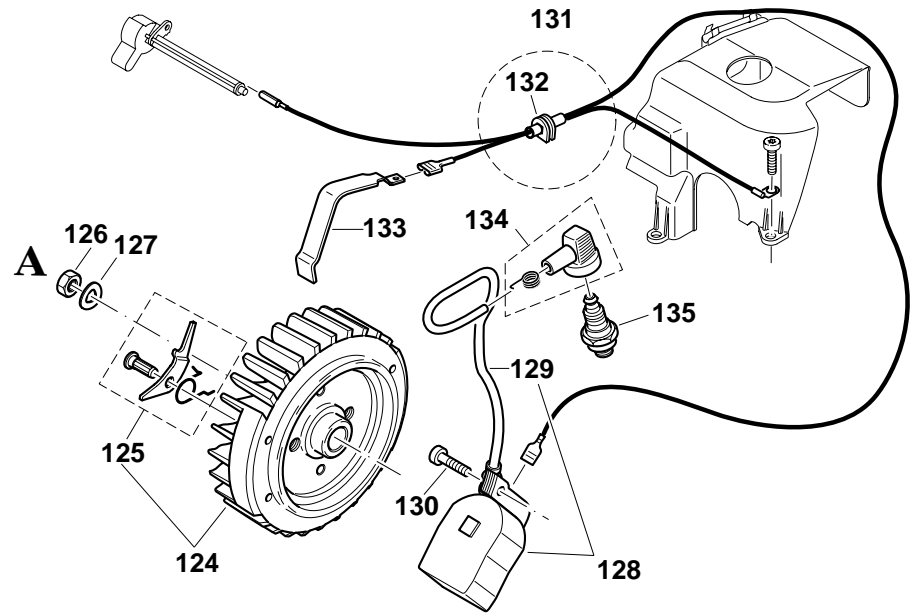
Carburetor



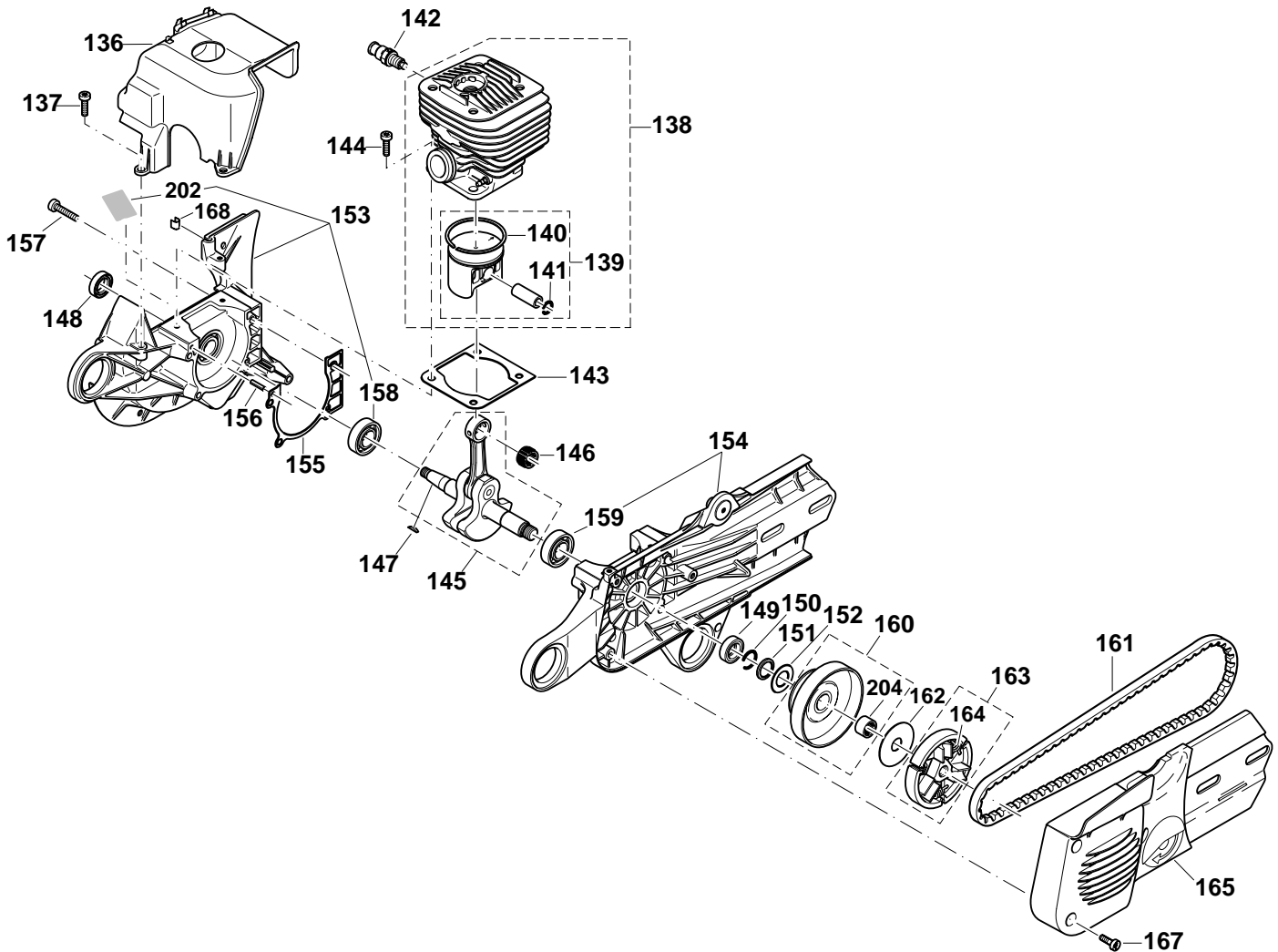
Starter



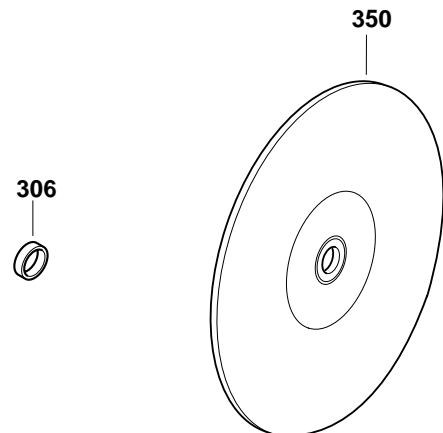
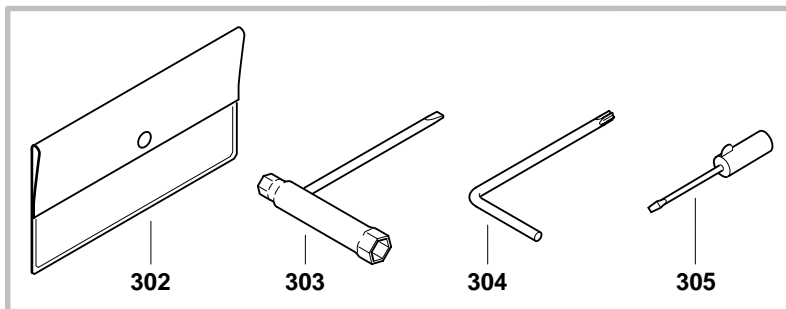
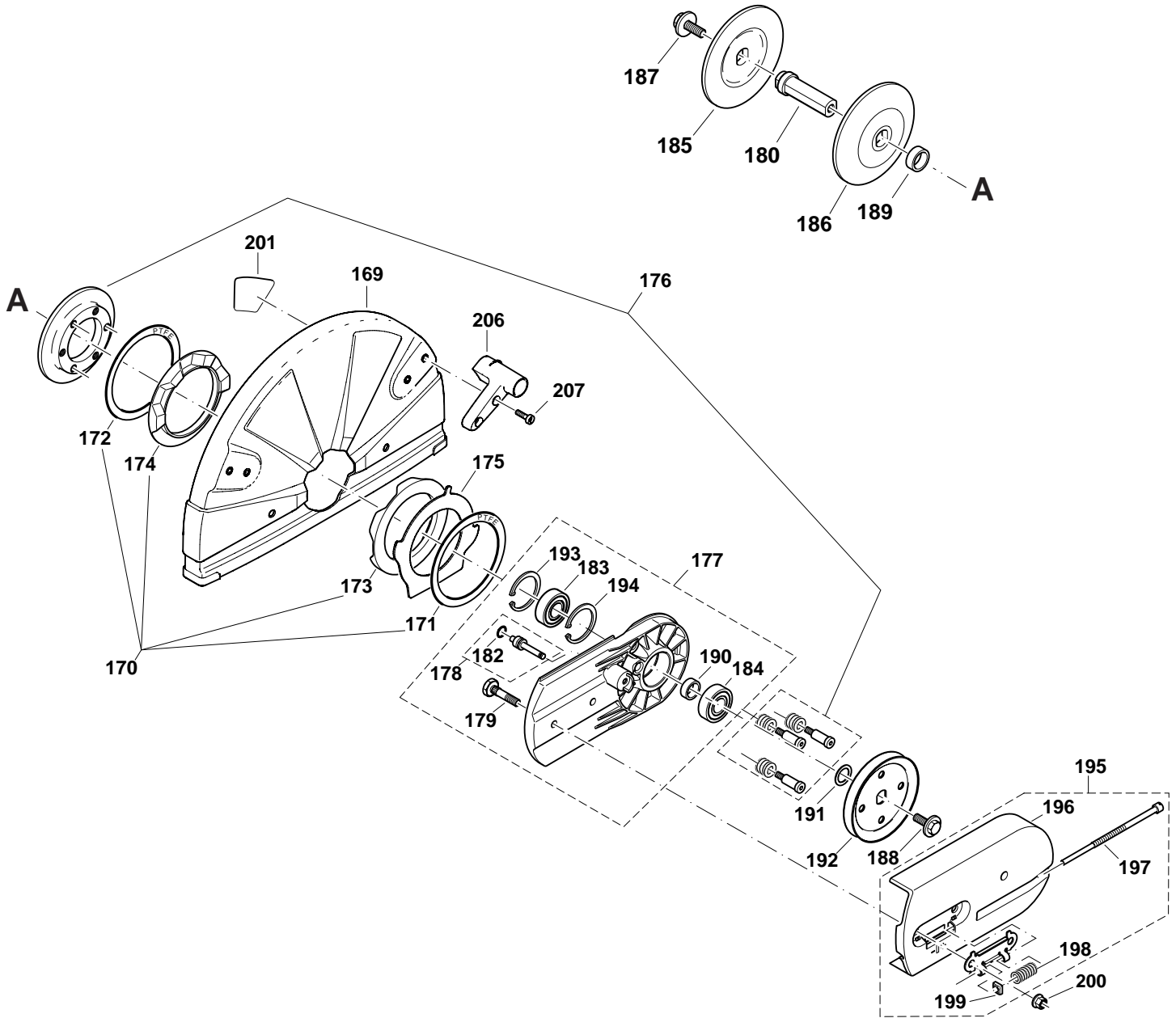
Ignition



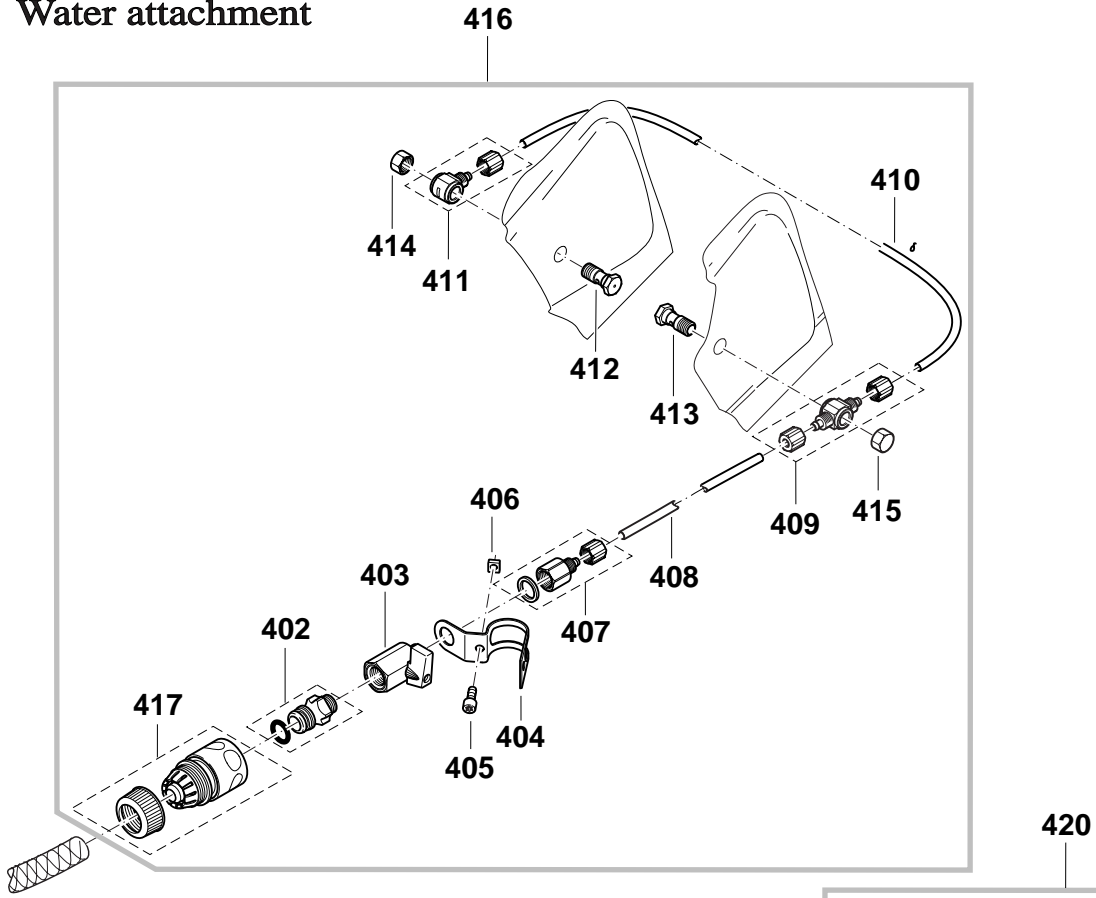
Cylinder, Crankshaft, Clutch



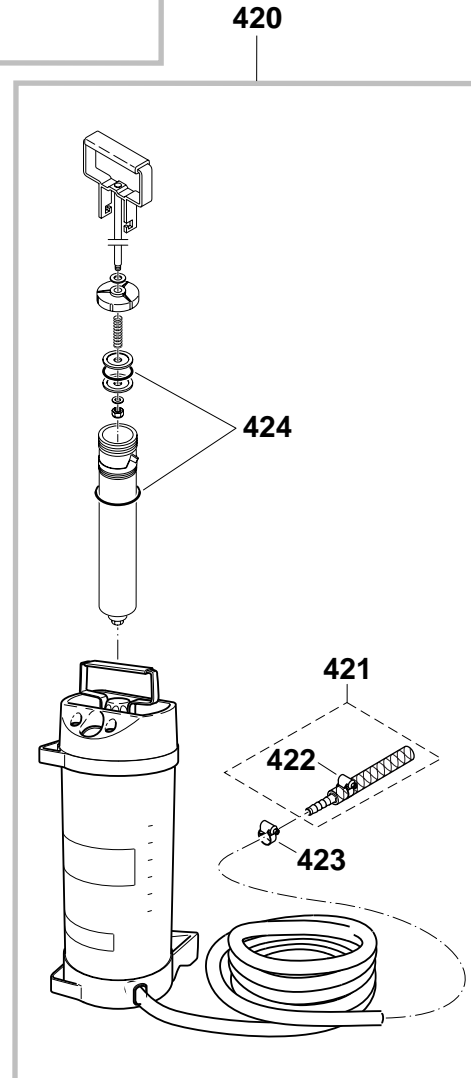
Cutting device, Protection hood, and Accessories



Water attachment



Pressurised water tank



Item No.	Part No.	Qty. Used	Description	Item No.	Part No.	Qty. Used	Description
1	394-114-602	1	TANK Cpl., blue	56	980-114-999	1	LABEL
2	957-117-020	1	THROTTLE MECHANISM, Cpl.	58	957-171-394	1	MODIFICATION SET, connect sleeve
3	394-117-011	1	THROTTLE LINKAGE	59	394-171-051	1	CONNECTING SLEEVE Cpl.
4	957-117-030	1	HALF-THROTTLE LOCK, Cpl.	60	024-131-031	1	INSERT, for suction hose
5	394-114-100	4	SCREW PLUG	61	394-131-101	1	SUCTION LINE
6	394-114-070	1	RUBBER FOOT	62	965-603-050	1	HOSE CLIP
7	010-114-081	1	ANGULAR UNION ASSY.	63	965-518-120	1	GASKET
8	010-114-091	1	TANK CAP Cpl, fuel	64	908-204-555	2	SCREW M4x55
9	963-230-031	1	O-RING, red	65	970-502-050	1	TUBE, 1-1/2" (37mm)
10	963-230-031	1	O-RING, red	66	394-150-030	1	CHOKE SHAFT
11	963-601-120	1	SUCTION HEAD	67	394-150-042	1	CHOKE SHAFT
12	963-601-240	1	FELT	68	965-452-380	1	TUBE, 4-1/2" (116mm)
13	010-175-050	1	AIR VALVE Cpl.	69	965-401-016	1	RUBBER BUSH
14	965-404-911	1	FUEL LINE	71	394-174-151	1	MUFFLER
15	394-114-641	1	BRACKET, grey	72	965-531-130	1	GASKET
16	965-403-535	1	RUBBER BUFFER	73	394-174-050	1	COVER PLATE
17	965-403-535	1	RUBBER BUFFER	74	908-405-205	2	SCREW M5x20
18	965-403-535	1	RUBBER BUFFER	75	908-005-125	1	SCREW M5x12
19	965-403-535	1	RUBBER BUFFER	76	921-905-004	1	SQUARE NUT M5
20	394-114-031	1	AXLE	77	394-174-141	1	SPARK ARRESTOR SCREEN
21	394-114-031	1	AXLE	78	915-035-140	2	SCREW
22	394-114-031	1	AXLE	205	928-405-000	1	DISC
23	924-405-500	1	WASHER	79	394-150-050	1	CARBURETOR W/GASKET
24	924-405-500	1	WASHER	80	965-402-970	1	GASKET
25	913-455-454	1	SCREW 5.5x45	81	394-150-160	1	PUMP COVER Cpl.
26	913-455-454	1	SCREW 5.5x45	82	394-150-170	4	SCREW
27	913-455-454	1	SCREW 5.5x45	83	394-150-120	1	DIAPHRAGM COVER
28	913-455-204	2	SCREW 5.5x20	84	001-150-520	4	SCREW
29	908-305-405	1	SCREW M5x20x40	85	957-150-100	1	SET DIAPHRAGM/GASKETS
30	394-114-050	1	POT, grey	86	113-150-150	1	PUMP DIAPHRAGM, rubber
31	394-310-100	1	WRAP AROUND HANDLE	87	394-150-300	1	THROTTLE SHAFT
32	394-114-190	1	FOOT	88	394-150-310	1	SPRING
33	908-114-988	1	LABEL, Makita	89	144-151-315	1	BUSHING
34	913-455-454	2	SCREW 5.5x45	90	144-151-315	1	BUSHING
35	394-114-270	1	FOOT w/ROLLER, Cpl.	91	144-151-320	1	THROTTLE SHUTTER
36	394-114-230	2	ROLLER	92	001-150-650	1	SCREW
37	394-114-240	2	BUSHING	93	001-150-650	1	SCREW
208	908-006-355	2	SCREW M6x35	94	122-151-400	1	DISC
209	913-350-164	4	SCREW 5X16	95	100-150-350	1	SAFETY WASHER
38	326-118-610	1	FILTER COVER ASSY., grey	96	394-150-250	1	CHOKE SHAFT
41	394-118-010	1	BAYONET FIXING	97	113-150-261	1	CHOKE SHUTTER
44	980-114-971	1	SAFETY LABEL	98	101-150-080	1	LOCKING SPRING
45	326-118-070	1	COVER for spark plug	99	113-150-380	1	LOCKING BALL
46	326-118-050	1	PACKING RING	100	394-150-570	1	IDLE STOP SCREW (S)
47	326-173-080	1	PREFILTER	101	394-150-470	1	IDLE ADJUSTM. SCREW (L)
48	326-118-020	1	PACKING RING	102	394-150-510	1	MAIN ADJUSTM. SCREW (H)
49	394-173-010	1	AIR FILTER	103	144-151-480	1	SPRING
50	394-173-020	1	INNER FILTER	104	144-151-480	1	SPRING
51	326-118-080	1	HOOD Cpl., black	105	394-150-500	1	PACKING RING
53	394-118-050	1	BAYONET LOCK	106	394-150-500	1	PACKING RING
54	908-605-505	4	SCREW M5x50	107	957-150-160	1	SET of CONTROL PARTS
55	980-114-969	1	LABEL, DPC7310	108	394-150-180	1	SCREEN
55	980-114-970	1	LABEL, DPC7311	109	113-150-040	1	COVER DISC

Item No.	Part No.	Qty. Used	Description	Item No.	Part No.	Qty. Used	Description
407	964-802-310	1	CONNECTING PIECE				
408	964-802-320	1	HOSE, 16" (405mm)				
409	964-802-330	1	CONNECTING PIECE (T)				
410	964-802-320	1	HOSE, 7" (180mm) DPC7310				
410	964-802-320	1	HOSE, 8-1/4" (210mm) DPC7311				
411	964-802-340	1	CONNECTING PIECE (L)				
412	964-802-351	1	NOZZLE				
413	964-802-351	1	NOZZLE				
414	964-802-361	1	CAP NUT				
415	964-802-361	1	CAP NUT				
420	957-802-600	1	PRESSURISED WATER TANK				
421	394-365-180	1	CONNECTING REDUCER				
422	964-802-250	1	HOSE CLIP				
423	964-802-250	1	HOSE CLIP				
424	957-963-200	1	GASKET SET				

ACCESSORIES

180	394-228-130	1	AXLE, 22.2mm
302	950-004-001	1	PLASTIC BAG
303	941-719-140	1	UNIVERSAL WRENCH
304	940-827-000	1	ANGLED SCREWDRIVER
305	944-340-001	1	SCREWDRIVER
306	394-228-121	1	ADAPTER, (20/25.4mm)
350	965-210-611	1	12" ABRASIVE WHEEL, DPC7310
350	965-210-222	1	14" ABRASIVE WHEEL, DPC7311
416	394-365-630	1	WATER ATTACHMENT KIT
417	964-802-400	1	COUPLING SLEEVE STOP