

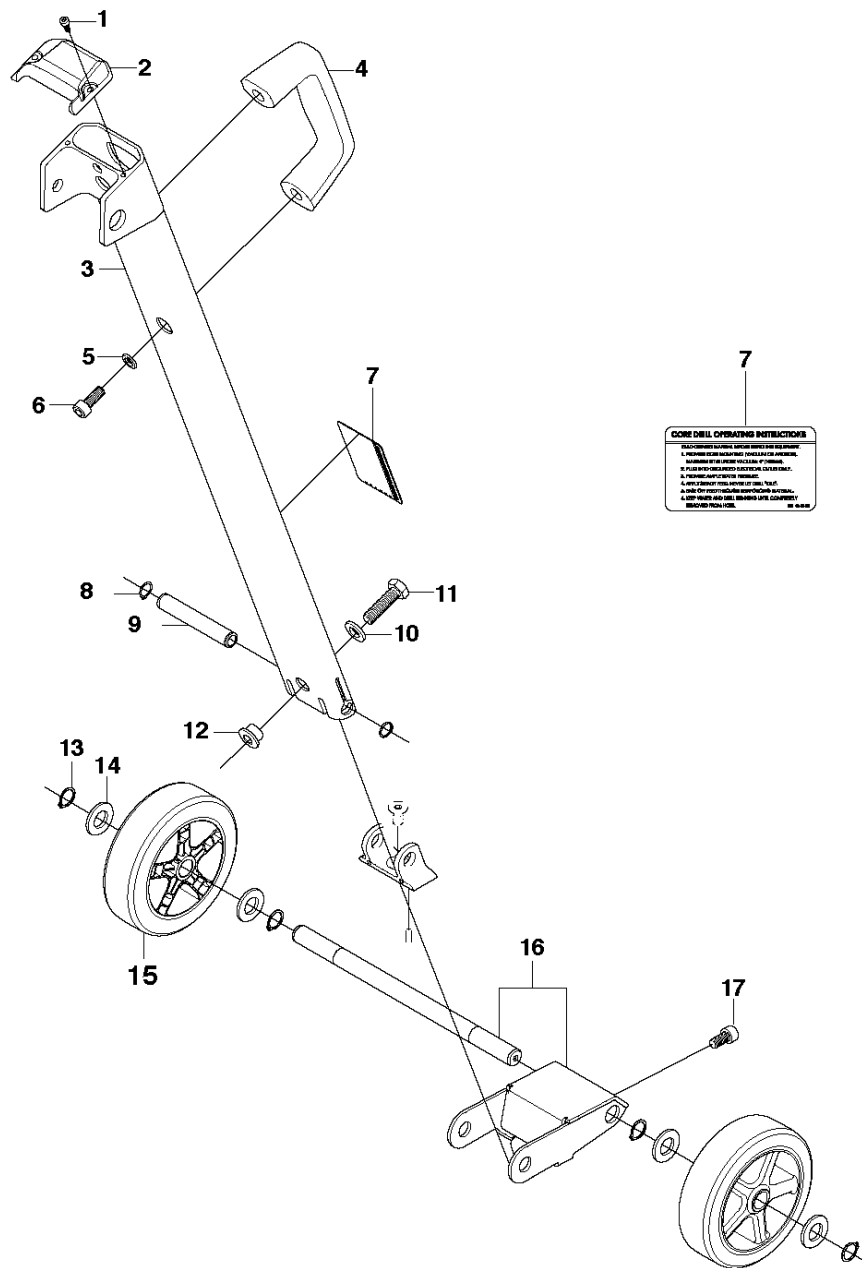


SPARE PARTS LIST

DRILLING EQUIPMENT

DS250 Single speed, 2013-01

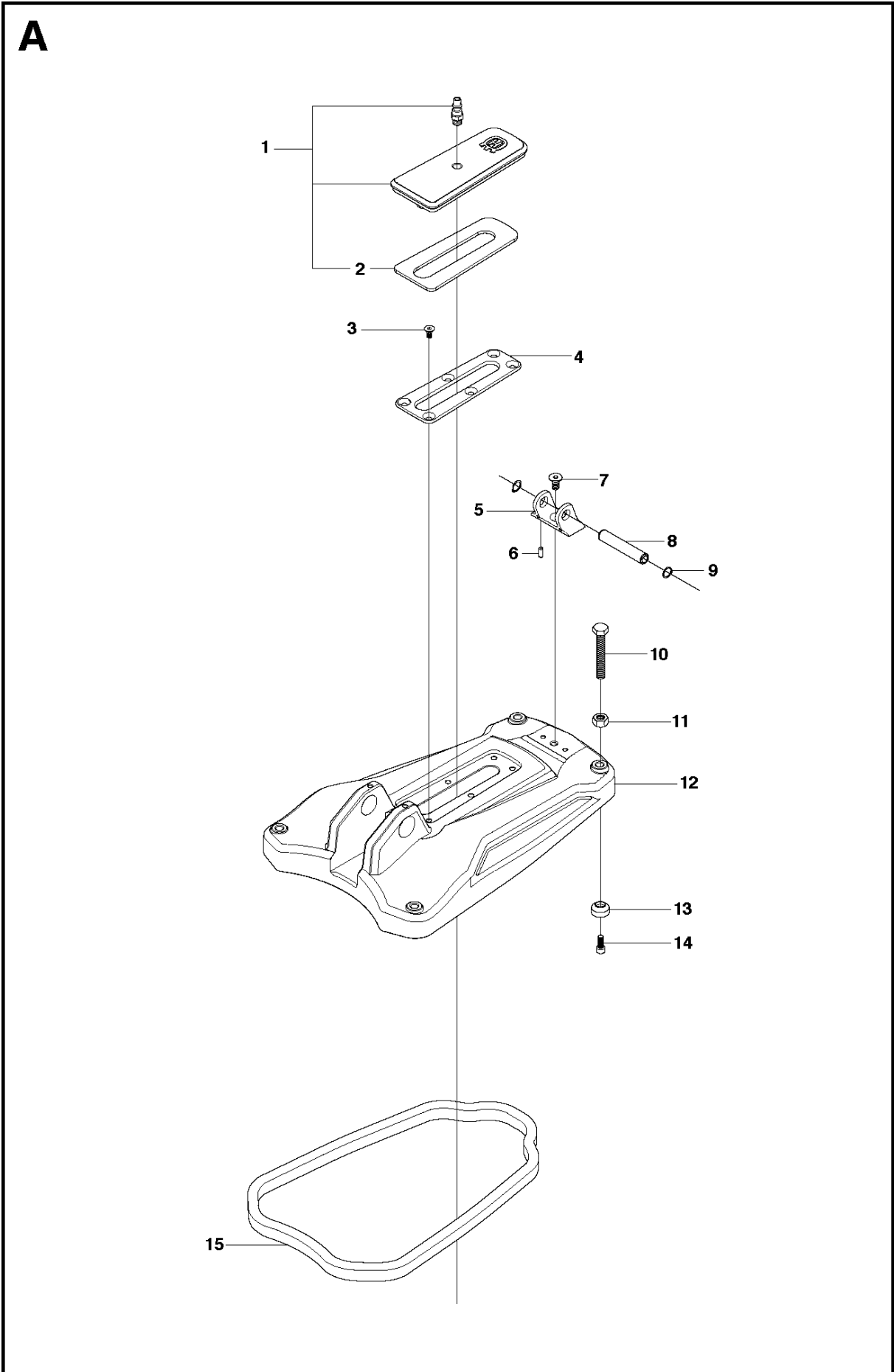
B



BACK SUPPORT

DS250 Single speed, 2013-01

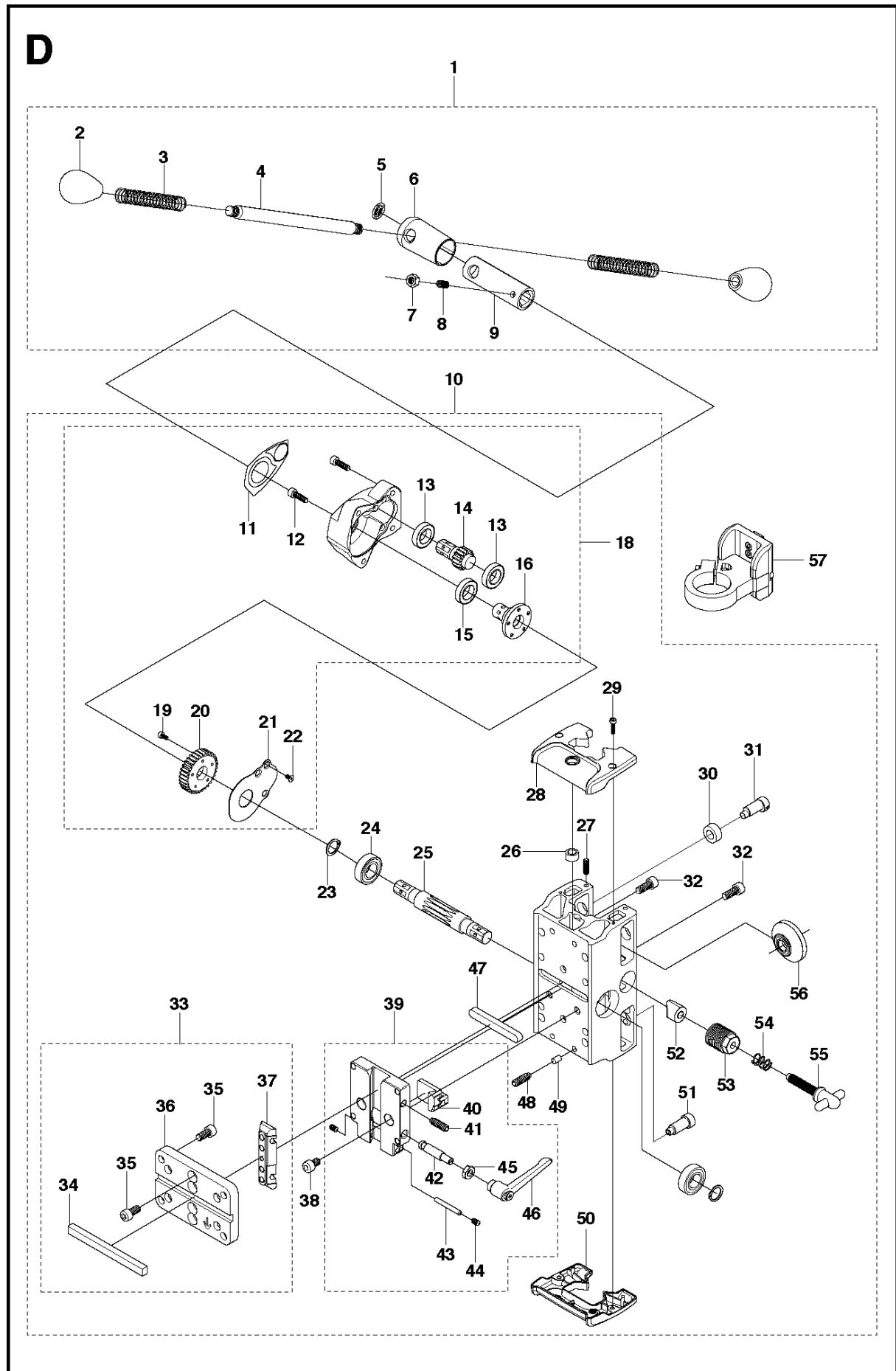
Ref	Part No	Description	Remark	QTY KIT
1	725 52 89-01	SCREW IHSCM		2
2	541 40 48-99	BACK SUPPORT PLASTIC GUARD		1
3	541 40 49-09	HANDLE		1
4	541 40 48-83	DS 250 BACK SUPPORT WELDMENT		1
5	734 11 63-01	WASHER		2
6	725 54 51-01	SCREW IHSCM		2
7	541 40 40-98	DRILL OPERATING/INSTRUCTION DEC		1
8	735 31 15-00	CIRCLIP		2
9	541 40 50-88	DS 250 BACK SUPPORT PIVOT AXLE		1
10	734 11 72-01	WASHER		1
11	725 24 97-71	SCREW EHHM		1
12	541 40 50-67	COLUMN CLAMP BUSHING		1
13	735 31 17-01	CIRCLIP	Not for Single Speed	4
14	734 11 82-01	WASHER	Not for Single Speed	4
15	541 40 50-84	WHEEL	Not for Single Speed	2
16	541 40 50-87	WHEEL KIT FRAME WELDMENT	Not for Single Speed	1
17	725 54 49-01	SCREW IHSCM	Not for Single Speed	1



BASE PLATE

DS250 Single speed, 2013-01

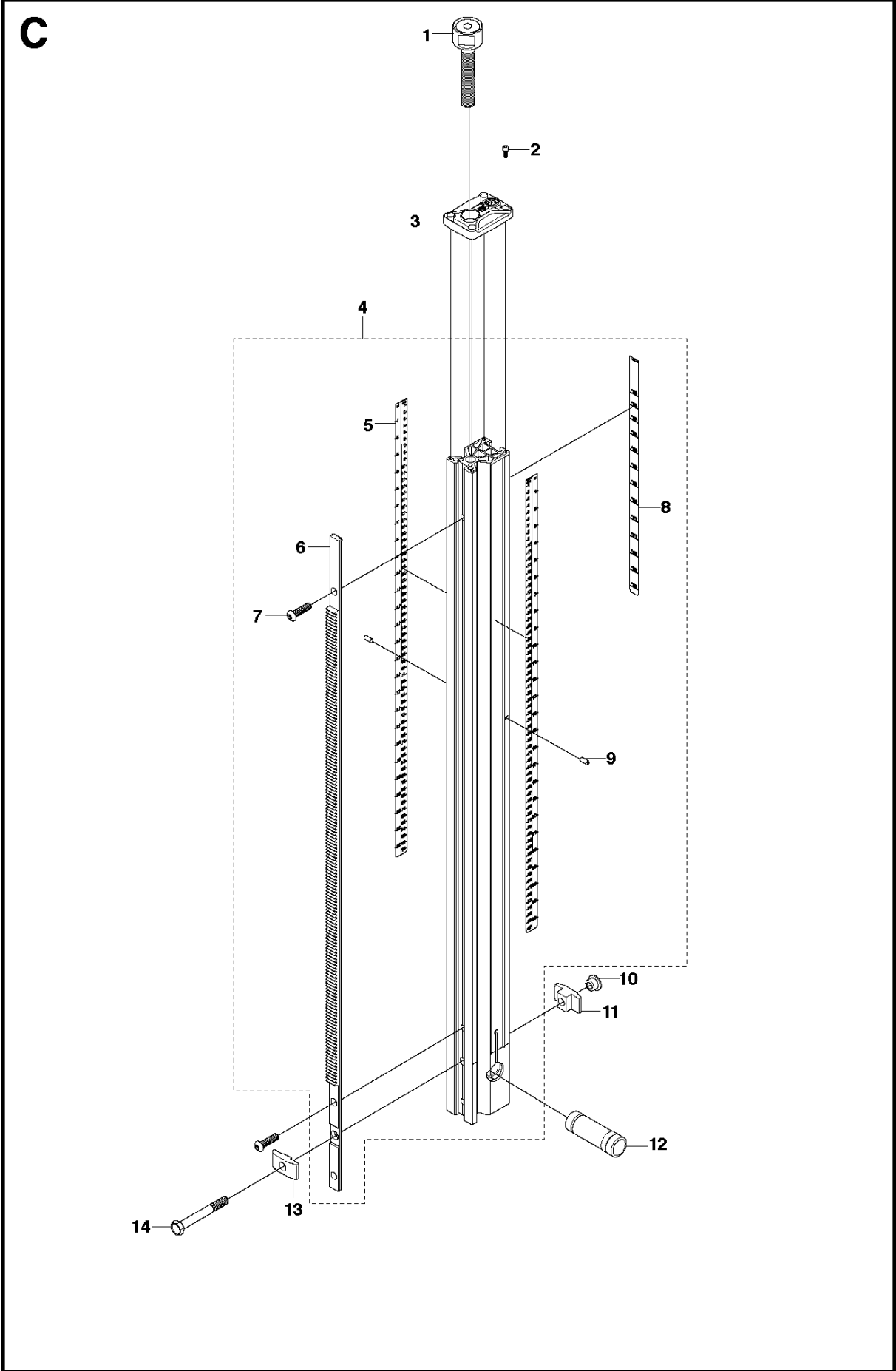
Ref	Part No	Description	Remark	QTY	KIT
1	579 24 27-01	COVER KIT	Complete	1	
2	541 40 49-03	VACUUM GASKET / VACUUM CAP		1	1
3	725 63 66-01	SCREW IHCSFM		6	
4	541 40 48-92	SLOT GUARD		1	
5	541 40 48-87	BACK SUPPORT BASE MOUNT		1	
6	720 13 06-50	PARALLEL PIN		2	
7	725 64 49-01	SCREW IHCSFM		1	
8	541 40 50-88	DS 250 BACK SUPPORT PIVOT AXLE		1	
9	735 31 15-00	CIRCLIP		2	
10	541 40 40-80	LEVELING SCREW/		4	
11	731 23 20-01	HEXAGON NUT		4	
12	541 40 48-61	MACHINED COMBO BASE		1	
13	541 40 40-84	LEVELING SCREW CAP/		4	
14	725 53 68-01	SCREW IHSCM		4	
15	541 40 48-91	VACUUM GASKET / COMBO BASE		1	



CARRIAGE

DS250 Single speed, 2013-01

Ref	Part No	Description	Remark	QTY	KIT
1	541 40 41-01	TRAVEL LEVER ASSEMBLY/	Complete	1	
2	531 14 06-72	GRIP		2	1
3	541 40 51-63	FEEDING CRANC SPRING		2	1
4	541 40 49-05	FEEDING CRANK SHAFT		1	1
5	541 40 50-47	CAP DECAL		1	1
6	541 40 51-37	FEEDING HANDLE PLASTIC COVER		1	1
7	732 21 18-01	LOCK NUT		1	1
8	541 40 41-33	M8X1.25 BALL PLUNGER DS160C		1	1
9	541 40 40-44	TRAVEL LEVER DRIVE SHAFT/		1	1
10	579 24 30-01	KIT	Not for Single Speed	1	1
11	541 40 49-35	GEAR HOUSING DECAL		1	10,18
12	725 53 72-01	SCREW IHSCM		5	10,18
13	541 40 49-10	17MM I.D.X 30MMO.D.X 7MM WIDTH BEARING (6903-2NSE)		2	10,18
14	541 40 49-11	1.5 MODULE 22.5 P.D. 15 TOOTH 20 DEGREE INVOLUTE G		1	10,18
15	522 80 56-01	BALL BEARING		1	10,18
16	541 40 49-13	INPUT SHAFT EXTENSION PLATE		1	10,18
18	579 24 29-01	GEAR WHEEL KIT	Not for Single Speed	1	10
19	725 52 87-01	SCREW IHSCM		5	10,18
20	541 40 49-12	1.5 MODULE 49.5 P.D. 33 TOOTH 20 DEGREE INVOLUTE G		1	10,18
21	541 40 49-28	GEAR HOUSING COVER PLATE		1	10,18
22	725 62 87-01	SCREW IHCSFM		3	10,18
23	735 31 19-00	CIRCLIP		2	10
24	738 21 03-04	BALL BEARING		2	10
25	541 40 48-06	CARRIAGE DRIVE SHAFT		1	10
26	541 40 50-36	LEVEL BUBBLE		1	10
27	728 73 70-01	SCREW IHSETM		4	10
28	541 40 48-00	CARRIAGE PLASTIC GUARD - TOP		1	10
29	725 52 93-01	SCREW IHSCM		4	10
30	541 40 48-03	ECCENTRIC BUSHING		4	10
31	541 40 48-05	ECCENTRIC SHAFT		2	10
32	725 54 51-01	SCREW IHSCM		2	10
33	575 84 83-01	MOTOR BRACKET		1	10
34	541 40 51-43	10MM X 9MM RECTANGULAR KEY		1	10,33
35	725 54 49-01	SCREW IHSCM		16	10,33
36	575 84 82-01	PLATE		1	10,33
37	525 54 07-01	WEDGE		1	10,33
38	725 54 47-01	SCREW IHSCM		2	10
39	577 95 06-01	FIXATION ASSEMBLY		1	10
40	577 83 62-01	LOCK		1	10,39
41	728 74 55-06	SCREW IHSETM		1	10,39
42	577 83 61-01	BOLT		1	10,39
43	510 20 27-01	DOWEL PIN		1	10,39
44	728 83 64-01	SCREW IHSETM		2	10,39
45	731 43 18-01	HEXAGON THIN NUT		1	10,39
46	543 85 02-16	INDEXABLE HANDLE, NUT M8		1	10,39
47	541 40 40-31	KEY/ DS160C		1	10
48	728 64 53-01	SCREW IHSETM		4	10
49	541 40 40-32	GUIDE CYLINDER/		4	10
50	541 40 48-62	CARRIAGE PLASTIC GUARD - BOTTOM		1	10
51	541 40 48-04	STRAIGHT SHAFT		2	10
52	579 27 01-01	KIT		1	10
53	541 40 48-64	FRICTION BRAKE CUP		1	10
54	541 40 50-43	SPRING		1	10
55	541 40 48-16	BRAKE KNOB		1	10
56	541 40 48-96	ROLLER ASSEMBLY		4	10
57	581 25 71-01	ADAPTER	Only for Single Speed	1	



COLLUMN ASSY

DS250 Single speed, 2013-01

Ref	Part No	Description	Remark	QTY KIT	
1	541 40 48-09	JACKING SCREW ASSEMBLY		1	
2	725 52 89-01	SCREW IHSCM		4	
3	541 40 48-68	COULMN PLASTIC GUARD		1	
4	579 24 28-01	STAND KIT		1	
5	541 40 40-54	DEPTH MEASUREMENT DECAL/		2	4
6	541 40 48-78	DS 250 RACK		1	4
7	541 40 48-15	SCREW IHPANM		3	4
8	541 40 48-82	ANGLE MEASUREMENT DECAL		1	4
9	720 13 06-50	PARALLEL PIN		2	4
10	541 40 50-67	COLUMN CLAMP BUSHING		1	
11	541 40 48-70	COLUMN CLAMP - BACK		1	
12	541 40 48-81	COLUMN PIVOT AXLE		1	
13	541 40 48-69	COLUMN CLAMP - FRONT		1	
14	725 25 07-51	SCREW EHHM		1	