



Parts Manual

DT18BF / 966 019501

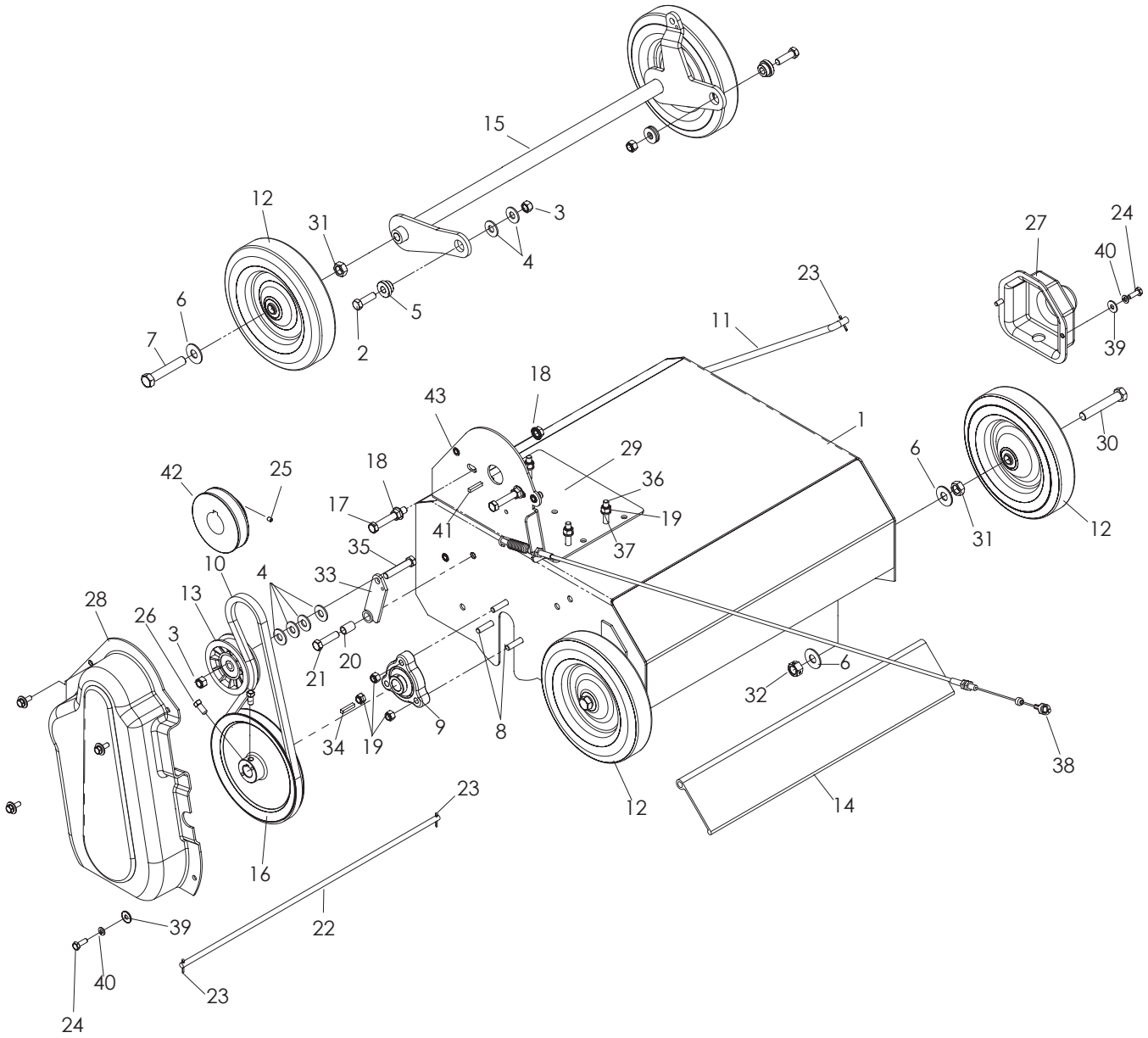
Please read the operator's manual carefully and make sure you understand the instructions before using the machine.

CONTENTS

CHASSIS / FRAME	4	FLAIL BLADE	8
HANDLE	6	DECALS	10

NOTE: ALL FASTENERS ARE GRADE 5 UNLESS OTHERWISE SPECIFIED.

CHASSIS / FRAME

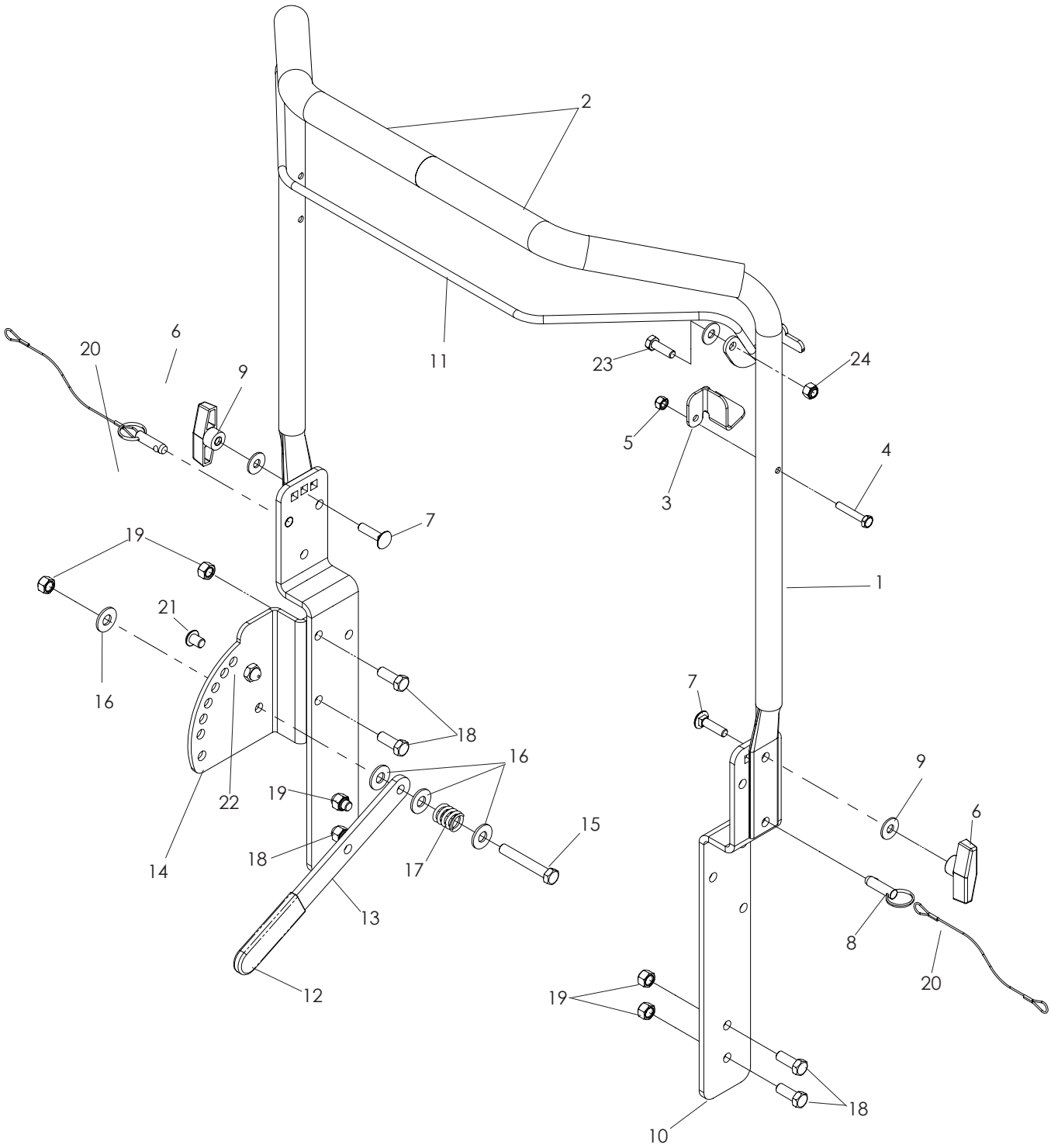


CHASSIS / FRAME

ITEM	PART NO.	QTY.	DESCRIPTION	ITEM	PART NO.	QTY.	DESCRIPTION
1..	525 398701....	1	BODY W/DECALS	23..	539 990037....	4	COTTER PIN
2..	539 976941....	2	HCS 3/8-16 x 1 1/4	24..	539 990580....	6	HCS 1/4-20 x 3/4
3..	539 976979....	4	NUT 3/8-16 NYLOC	25..	539 976959....	1	KPSS 5/16-18 x 3/8
4..	539 990517....	7	WASHER 3/8 FLAT	26..	539 102717....	2	SCREW-18 x 5/8 SET
5..	539 106847....	2	BUSHING	27..	539 106754....	1	GUARD, SHAFT
6..	539 990550....	6	WASHER 1/2 FLAT	28..	539 108069....	1	GUARD, BELT
7..	539 101332....	2	HCS 1/2-13 x 2 3/4	29..	539 106771....	1	BACKING PLATE
8..	539 990627....	6	HCS 5/16-18 x 1 1/4	30..	539 101572....	2	HCS 1/2-13 x 3
9..	539 100488....	2	BEARING, FLANGE	31..	539 990625....	4	NUT 1/2-13 JAM
10..	539 100439....	1	BELT	32..	539 200100....	2	NUT 1/2-13 CNTRLK
11..	539 106805....	1	LINKAGE	33..	522 795001....	1	IDLER ARM
12..	540 075051....	4	WHEEL 8 x 1 3/4	34..	539 910061....	1	KEY 3/16 x 3/16 x 1
13..	539 110311....	1	PULLEY, IDLER	35..	539 990588....	1	HCS 3/8-16 x 2
14..	539 100508....	1	REAR FLAP	36..	539 990669....	4	HCS 5/16-18 x 1 3/4
15..	525 245201....	1	FRONT AXLE	37..	539 990187....	4	LOCKWASHER 5/16
16..	539 100511....	1	PULLEY 7"	38..	539 106849....	1	CABLE
17..	539 990637....	2	HCS 3/8-16 x 2 1/2	39..	539 990598....	6	WASHER 1/4
18..	539 990613....	4	NUT 3/8-16 SERRATED	40..	539 990052....	6	LOCKWASHER 1/4
19..	539 990717....	10	NUT 5/16-18 NYLOC	41..	539 910061....	1	KEY 3/16"
20..	539 100482....	1	BEARING	42..	539 108059....	1	PULLEY
21..	539 990655....	1	HCS 3/8-16 x 1 1/2	43..	539 108147....	6	KNURLED INSERT 1/4-20
22..	539 100512....	1	FLAP ROD				

HANDLE

18 INCH

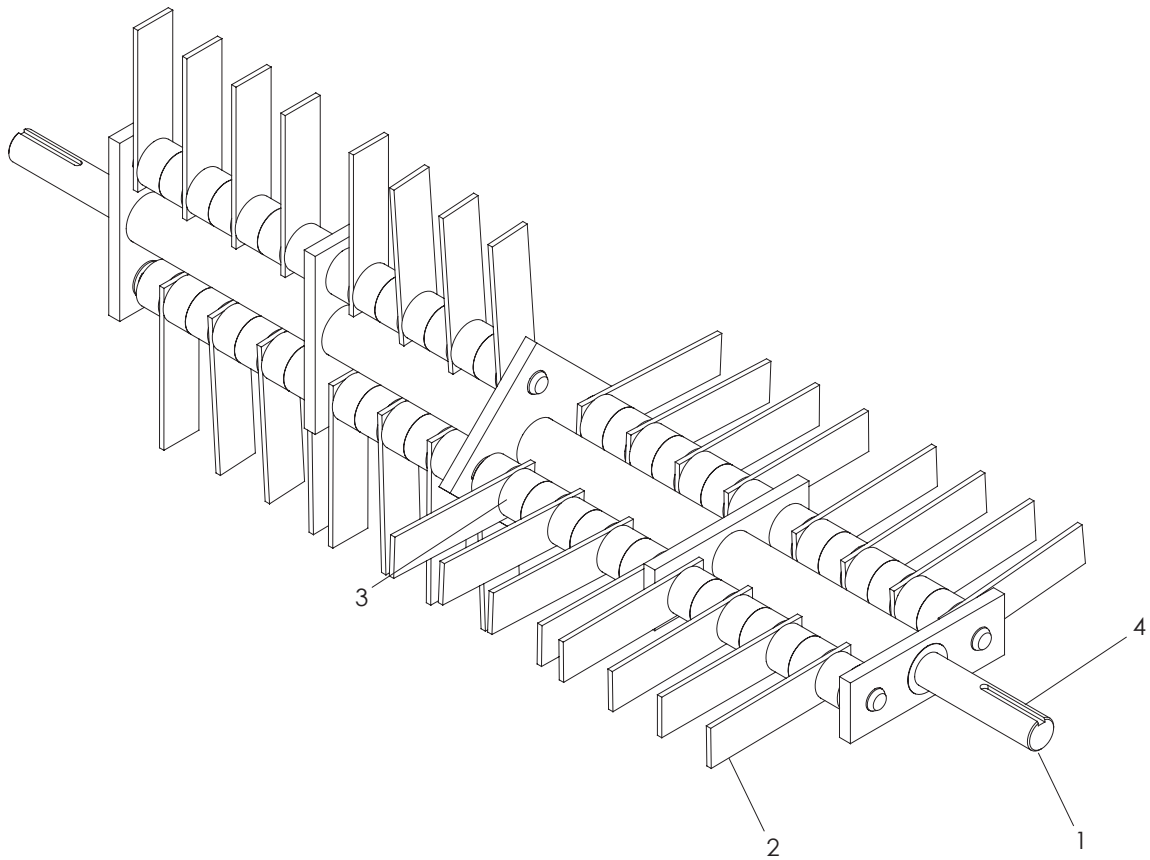


HANDLE

ITEM	PART NO.	QTY.	DESCRIPTION	ITEM	PART NO.	QTY.	DESCRIPTION
1..	539 106758....	1	HANDLE	13..	539 106770....	1	LEVER
2..	539 052561....	2	FOAM GRIP	14..	539 106768....	1	PLATE, HEIGHT
3..	539 106688....	1	CABLE TAB	15..	539 990637....	1	HCS $\frac{3}{8}$ -16 x 2 $\frac{1}{2}$
4..	539 990639....	1	HCS $\frac{1}{4}$ -20 x 1 $\frac{1}{2}$	16..	539 990517....	4	WASHER $\frac{3}{8}$ FLAT
5..	539 976978....	1	NUT $\frac{1}{4}$ -20 NYLOC	17..	539 976438....	1	SPRING
6..	539 100481....	2	KNOB	18..	539 990563....	6	HCS $\frac{3}{8}$ -16 x 1
7..	539 100472....	2	RHSNB $\frac{5}{16}$ -18 x 1 $\frac{1}{4}$	19..	539 976979....	7	NUT $\frac{3}{8}$ -16 NYLOC
8..	539 100556....	2	PIN	20..	539 102563....	2	LANYARD
9..	539 990692....	2	WASHER $\frac{5}{16}$ FLAT	21..	539 108068....	1	SCREW $\frac{3}{8}$ -16 BUTTON HD
10..	525 245501....	2	HANDLE SIDE	22..	539 108746....	1	NUT $\frac{3}{8}$ -16 ACORN
11..	539 106760....	1	BAIL	23..	539 990209....	1	HCS $\frac{5}{16}$ -18 x 1
12..	539 976526....	1	GRIP, LEVER	24..	539 990717....	1	NUT $\frac{5}{16}$ -18, NYLOC

CUTTING EQUIPMENT

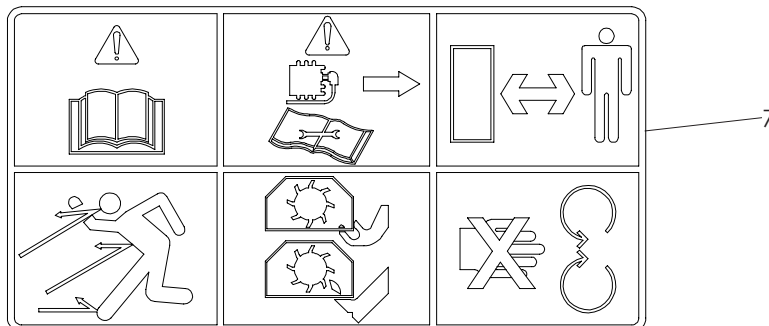
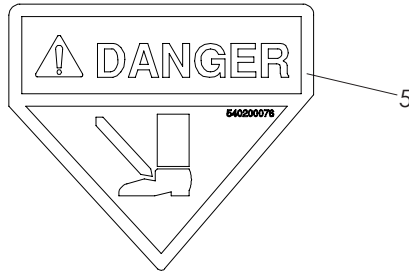
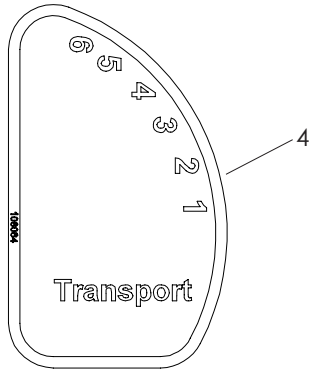
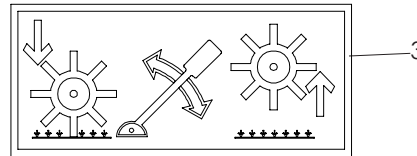
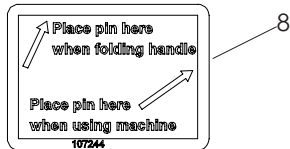
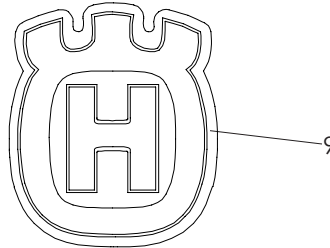
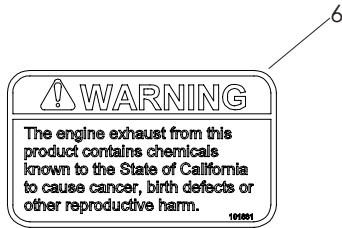
FLAIL BLADE



CUTTING EQUIPMENT

ITEM	PART NO.	QTY.	DESCRIPTION	ITEM	PART NO.	QTY.	DESCRIPTION
	539 106857	...1	18" FLAIL REEL COMPLETE	3..	539 100526....1	SPACER SET (44 SPACERS)	
1..	539 106856....1	SHAFT (18")		4..	539 005188....1	SHAFT W/E-RINGS, 4 SHAFTS (18")	
2..	539 005187....1	BLADE SET (26 BLADES)					
	539 108108	...1	BLADES & SHAFTS SET W/E-RINGS (26 BLADES)	NOT SHOWN			
					539 101949	...8 E-RING, ½"	

DECALS



DECALS

ITEM	PART NO.	QTY.	DESCRIPTION	ITEM	PART NO.	QTY.	DESCRIPTION
1..	532 422012....	1	DECAL, HUSQVARNA	6..	539 101881....	1	DECAL, PROP 65
2..	525 247901....	1	DECAL, DT18	7..	539 107359....	1	DECAL, SAFETY GRAPHICS
3..	540 200028....	1	DECAL, HEIGHT ADJUST	8..	539 107244....	1	DECAL, HANDLE PIN
4..	539 108064....	1	DECAL, DEPTH	9..	532 422011	1	DECAL, CROWN
5..	540 200076....	1	DECAL, DANGER FOOT				

