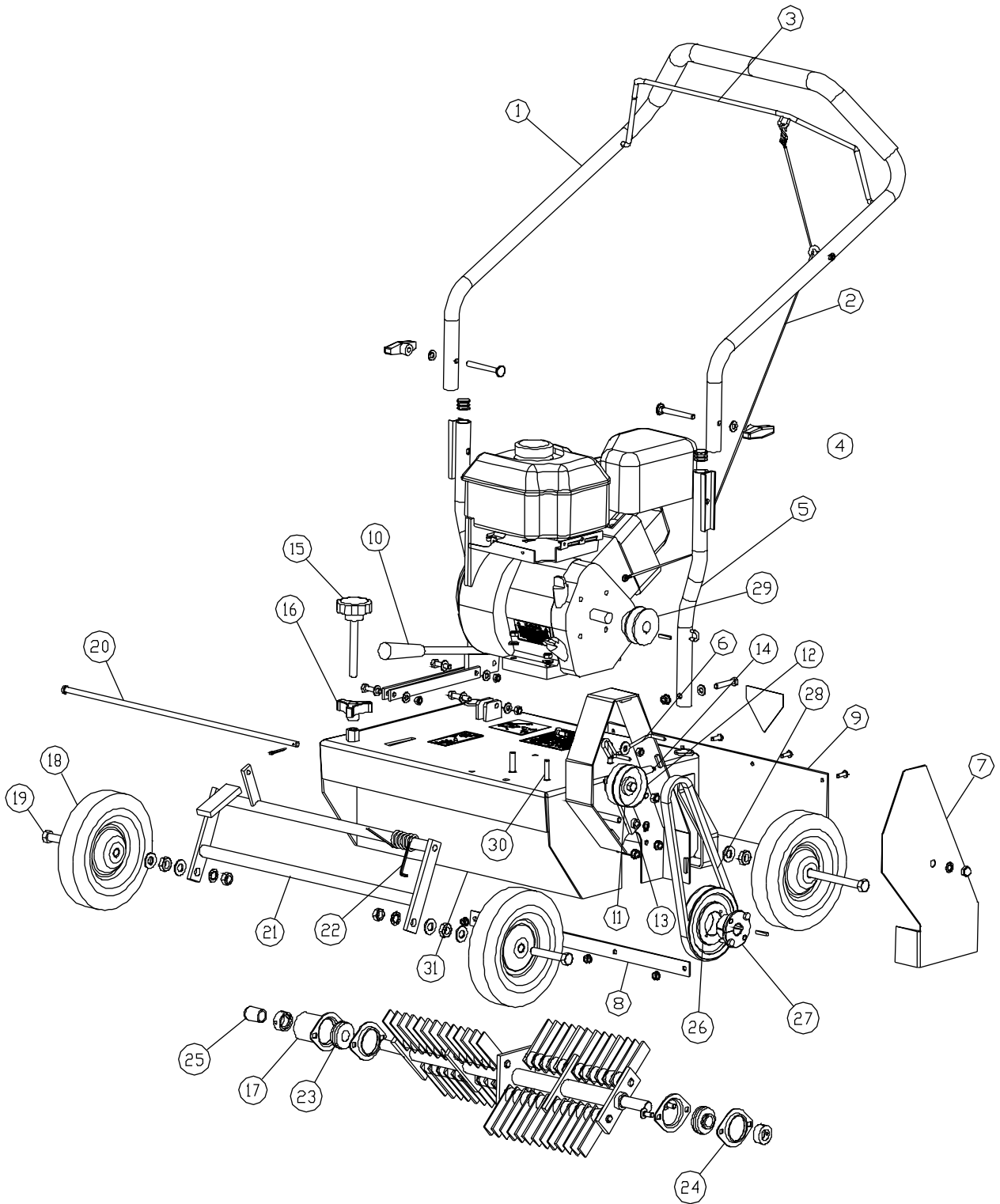


# DT18, DT18C, SD18

**Spare parts**  
**Ersatzteile**  
**Pièces détachées**  
**Reserve onderdelen**  
**Repuestos**  
**Reservdelar**

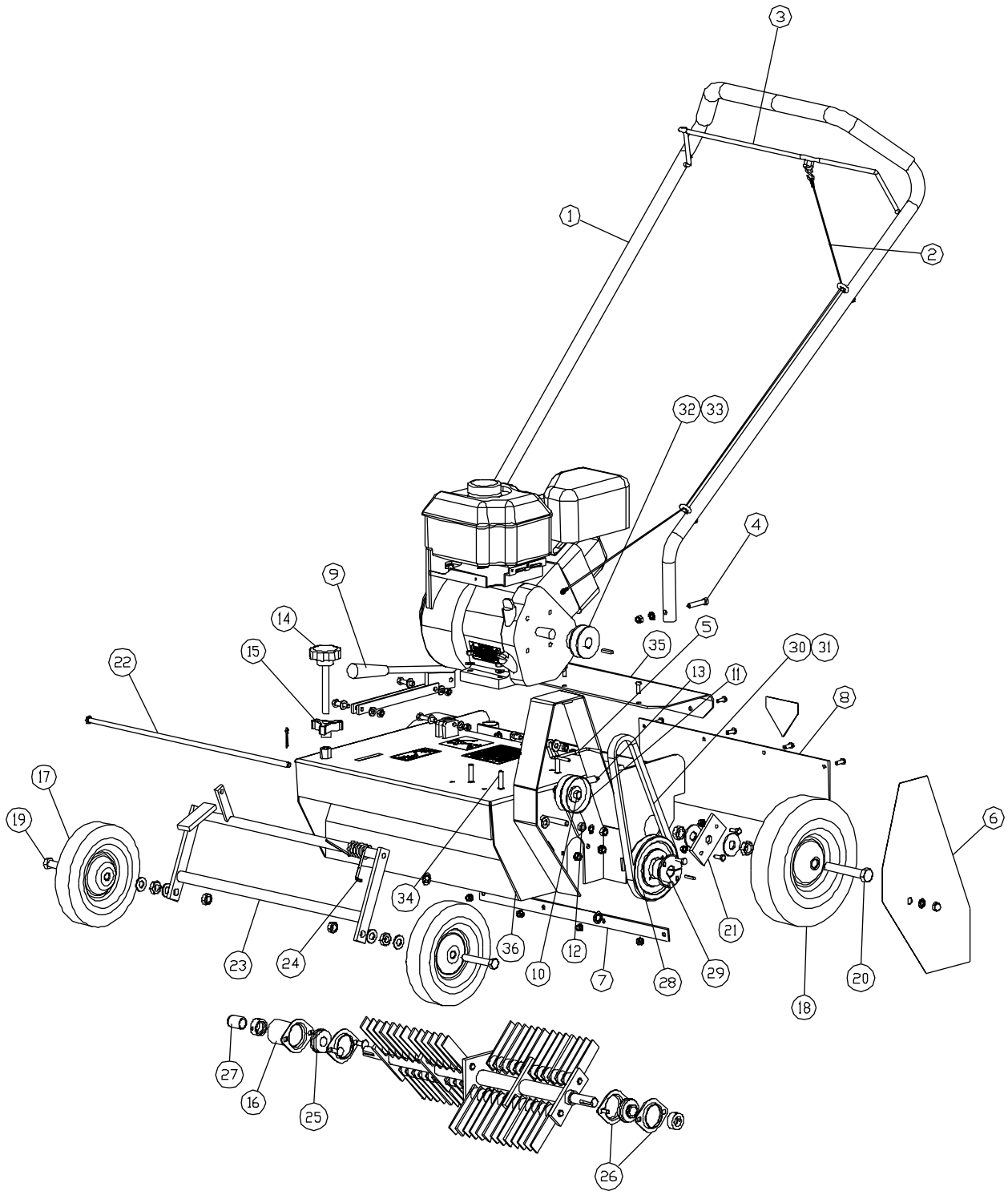
# DT18C Compact Dethacher



# DT18C Compact Dethacher

ITEM	PART NO.	DESCRIPTION
1	540054001	Handle Assy. - includes handle,bail,clutch cable,S-hook and handle grip,eye bolt and nut
2	540054002	Clutch Cable Assy. - includesclutch cable and S-hook
3	540054003	Bail
4	540054004	Knob,Folding Handle Kit - includes knob washer and bolt
5	540054005	Lower Handle Assy. - includes folding handle mount,5/16 - 18 x 1 3/4" HCS,internal lock washer and 5/16-18 hex nut
6	540005140	Belt Keeper Kit - includes belt keeper,5/16 washer,5/16 hex lock nut,5/16-18x3/4 carriage bolt
7	540054006	Belt Guard Kit - includes shield, 3/8 internal lock washer and 3/8-16 acorn nut
8	540054058	Deflector Kit - includes deflector strap, 1/4-20x3/4 slotted round screw (4 ea.), 1/4-20 hex keps nut (4ea. 0
9	540005161	Deflector, neoprene
10	540054007	Depth Lever Assy. - includes height adjustment link (2ea), adjustment lever, 5/16-18x1 1/4 hex head bolt (2ea), 5/16-18x1 1/2 hex head bolt, 5/16 flat washer (6ea), 5/16-18 hex lock nut (3ea)
11	540005027	Idler Assy Kit - includes 2 3/4 idler pulley, clutchspring, idler arm, idler tab, 3/8 washeer, 3/8-16 hex jam nut, 3/8-16 hex lock nut, 3/8-16x4 hex screw
12	540000343	Pulley, idler 2 3/4 OD
13	540005121	Mounting Arm, idler pulley
14	540005129	Spring, Clutch rod
15	540054008	Depth Adjustments Knob
16	540054009	3 - pronged lock depth knob
17	540054010	Rotor guard
18	540005051	Wheel, 8 x 1 3/4, ball bearing
19	540054011	Bolt kit for wheel - includes 1/2-13x3 1/4 hex bolt, 1/2 washer (2ea), 1/2-13 hex jam nut (2ea), 1/2 lock washer (1ea)
20	540054012	Lift Arm Rod Kit - includes 1/4 cotter pin, 3/8 washer, plated rod
21	540054013	Lift Arm Assy Kit - includes lift arm weldment, torsion spring
22	540054014	Torsion spring
23	540000315	Bearing, 3/4 with locking collar
24	540005185	Stamping Kit - includes 5/16-18 hex nut (2ea), 5/16-18x3/4 carriage bolt (2ea), bearing flanges (2ea), 5/16 lockwashers (2ea)
25	540005005	Rotor cap, 3/4 ID
26	540054015	V - Pulley, B-5.0 OD, tapered bore
27	540054016	Bushing kit - includes bushing 3/4 bore with screws, 3/16 square key
28	540054017	V - Belt, B-33, special
29	540054019	V - Pulley engine kit for 3/4 bore - includes V-pulley 2 1/2 OD x 3/4 bore, 3/16 square key
30	540054021	Engine Bolt Kit - includes 5/16-18x1 1/2 carriage bolt (4ea), 5/16 washer (8ea), 5/16-18 hex lock nut (4ea)
31	540054022	Deck, DT18C
32	540054052	Kit, Decal DT18C Dethacher

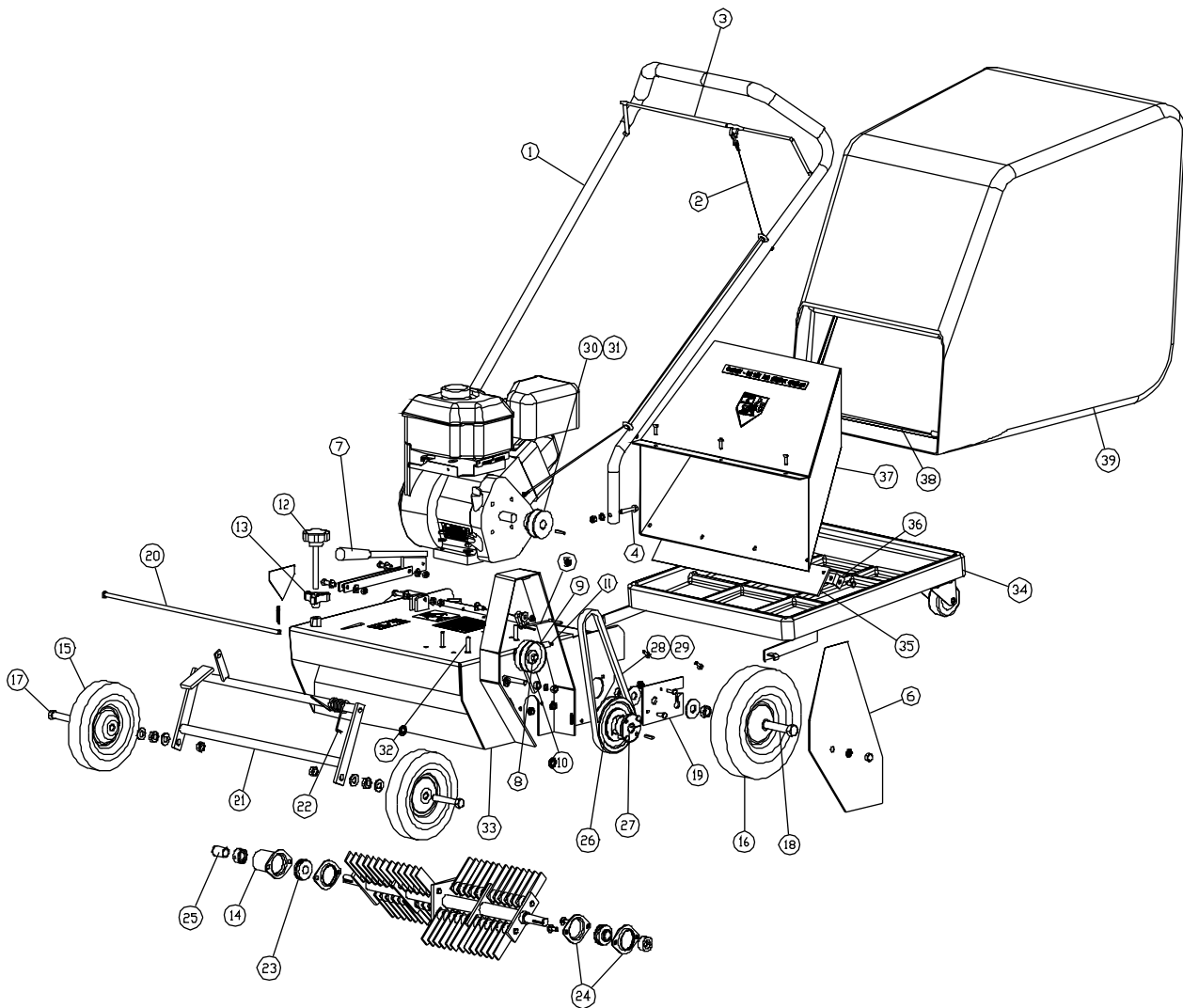
# DT18 Dethacher



# DT18 Dethacher

ITEM	PART NO.	DESCRIPTION
1	540054023	Handle Assy. - includes handle,bail,clutch cable,S-hook and handle grip
2	540054024	Clutch Cable Assy. - includes clutch cable and S-hook
3	540054003	Bail
4	540005167	Bolt kit, handle - includes 5/6-18x1 3/4 hex cap screw (2ea), 5/16-18 hex nut (2ea)
5	540005140	Belt keeper kit - includes belt keeper, 5/16 washer, 5/16-18 hex lock nut, 5/16-18x3/4 carriage bolt
6	540054025	Belt Guard Kit - includes shield, 3/8 internal lock washer and 3/8-16 acorn nut
7	540005162	Deflector Kit - includes deflector strap (2ea), deflector plate,1/4-20x3/4 slotted round screw (4 ea.), 1/4-20 hex nut (4ea.), 1/4 lockwasher (4ea)
8	540005161	Deflector, neoprene
9	540054007	Depth Lever Assy. - includes height adjustment link (2ea), adjustment lever, 5/16-18x1 1/4 hex head bolt (2ea), 5/16-18x1 1/2 hex head bolt, 5/16 flat washer (6ea), 5/16-18 hex lock nut (3ea)
10	540005027	Idler Assy Kit - includes 2 3/4 idler pulley, clutchspring, idler arm, idler tab, 3/8 washeer, 3/8-16 hex jam nut, 3/8-16 hex lock nut, 3/8-16x4 hex screw
11	540000343	Pulley, idler 2 3/4 OD
12	540005121	Mounting Arm, idler pulley
13	540005129	Spring, Clutch rod
14	540054008	Depth Adjustments Knob
15	540054009	3 - pronged lock depth knob
16	540054010	Rotor guard
17	540005151	Front Wheel, 8 x 1 3/4, ball bearing
18	540005053	Rear Wheel, 10 x 2 3/4, ball bearing
19	540054011	Bolt kit for front wheel - includes 1/2-13x3 1/4 hex bolt, 1/2 washer (2ea), 1/2-13 hex jam nut (2ea), 1/2 lock washer (1ea)
20	540054026	Bolt kit for rear wheel - includes 5/8-11x4 hex bolts, 5/8-11 jam nut (2ea), 5/8 flat washer (2ea)
21	540054027	Wheel plate kit - includes wheel plate and 1/4-20x3/4 hex bolt (2ea)
22	540054012	Lift Arm Rod Kit - includes 1/4 cotter pin, 3/8 washer, plated rod
23	540054028	Lift Arm Assy Kit - includes lift arm weldment, torsion spring
24	540054014	Torsion spring
25	540000315	Bearing, 3/4 with locking collar
26	540005185	Stamping Kit - includes 5/16-18 hex nut (2ea), 5/16-18x3/4 carriage bolt (2ea), bearing flanges (2ea), 5/16 lockwashers (2ea)
27	540005005	Rotor cap, 3/4 ID
28	540054015	V - Pulley, B-5.0 OD, tapered bore
29	540054016	Bushing kit - bushing 3/4 bore with screws, key 3/16x1
30	540054018	V - Belt, B-34, special
31	540000339	V-Belt, B36, special (used for 8HP engine only)
32	540054019	V - Pulley engine kit for 3/4 bore - includes V-pulley 2 1/2 OD x 3/4 bore, 3/16x1 square key
33	540054020	V - Pulley engine kit for 1" bore - includes V-pulley 2 1/2 OD x 1" bore, 1/4x1 square key (used for 8HP engine only)
34	540054021	Engine Bolt Kit - includes 5/16-18x1 1/2 carriage bolt (4ea), 5/16 washer (8ea), 5/16-18 hex lock nut (4ea)
35	540054029	Deck Cover Kit - DT18 - includes cover, 1/4-20x3/4 slotted round screw (6ea)
36	540054030	Deck, DT18
37	540054053	Kit, Decal DT18 Dethacher

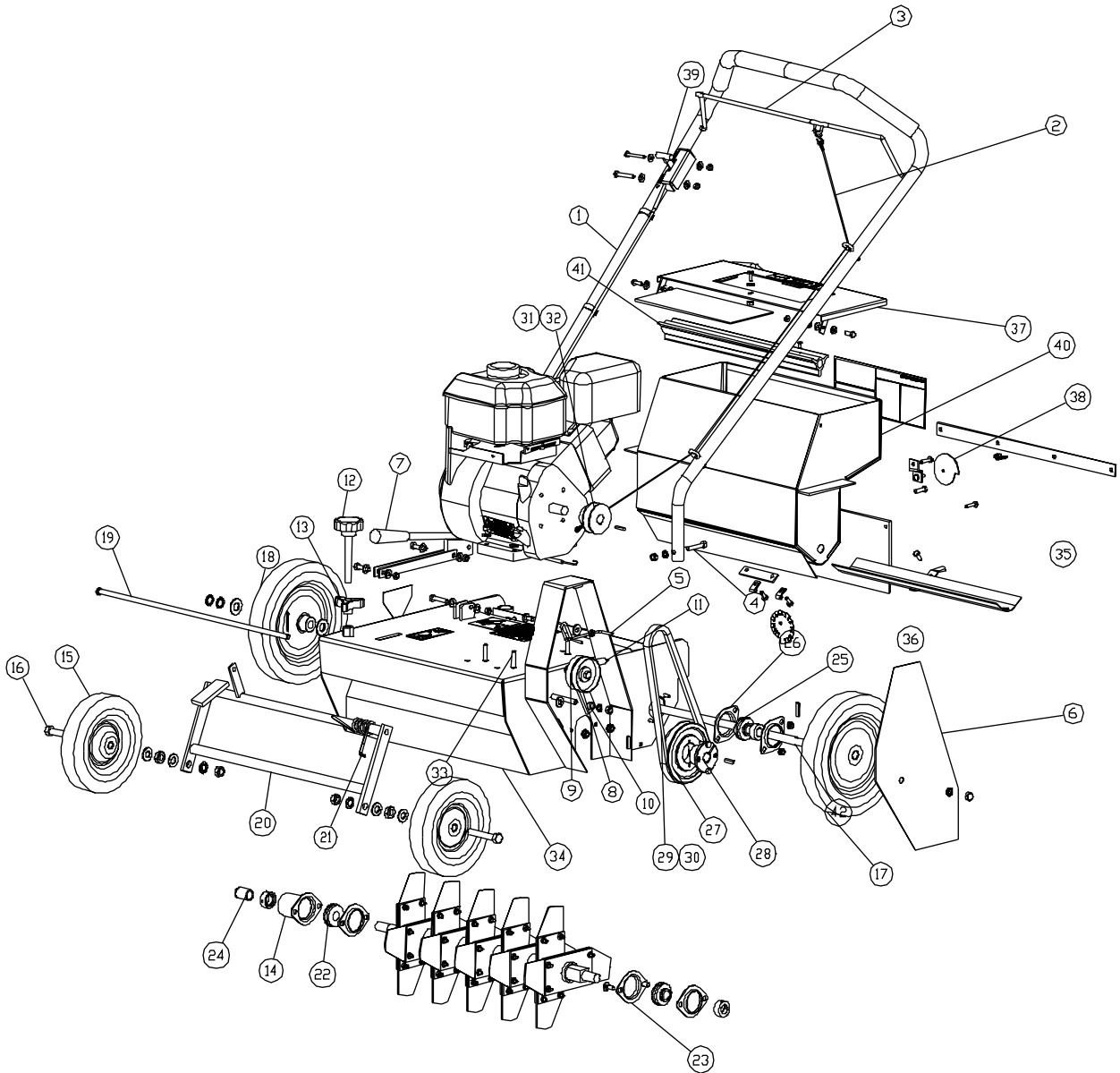
# DT18 Dethacher with Bagger



# DT18 Dethacher with Bagger

ITEM	PART NO.	DESCRIPTION
1	540054023	Handle Assy. - includes handle,bail,clutch cable,S-hook and handle grip
2	540054024	Clutch Cable Assy. - includes clutch cable and S-hook
3	540054003	Bail
4	540005167	Bolt kit, handle - includes 5/6-18x1 3/4 hex cap screw (2ea), 5/16-18 hex nut (2ea)
5	540005140	Belt keeper kit - includes belt keeper, 5/16 washer, 5/16-18 hex lock nut, 5/16-18x3/4 carriage bolt
6	540054025	Belt Guard Kit - includes shield, 3/8 internal lock washer and 3/8-16 acorn nut
7	540054007	Depth Lever Assy. - includes height adjustment link (2ea), adjustment lever, 5/16-18x1 1/4 hex head bolt (2ea), 5/16-18x1 1/2 hex head bolt, 5/16 flat washer (6ea), 5/16-18 hex lock nut (3ea)
8	540005027	Idler Assy Kit - includes 2 3/4 idler pulley, clutch spring, idler arm, idler tab, 3/8 washer, 3/8-16 hex jam nut, 3/8-16 hex lock nut, 3/8-16x4 hex screw
9	540000343	Pulley, idler 2 3/4 OD
10	540005121	Mounting Arm, idler pulley
11	540005129	Spring, Clutch rod
12	540054008	Depth Adjustment Knob
13	540054009	3 - pronged lock depth knob
14	540054010	Rotor guard
15	540005051	Front Wheel, 8 x 1 3/4, ball bearing
16	540005053	Rear Wheel, 10 x 2 3/4, ball bearing
17	540054011	Bolt kit for front wheel - includes 1/2-13x3 1/4 hex bolt, 1/2 washer (2ea), 1/2-13 hex jam nut (2ea), 1/2 lock washer (1ea)
18	540054026	Bolt kit for rear wheel - includes 5/8-11x4 hex bolts, 5/8-11 jam nut (2ea), 5/8 flat washer (2ea)
19	540054031	Wheel plate kit - includes wheel plate and 1/4-20x3/4 hex bolt (2ea)
20	540054012	Lift Arm Rod Kit - includes 1/4 cotter pin, 3/8 washer, plated rod
21	540054028	Lift Arm Assy Kit - includes lift arm weldment, torsion spring
22	540054014	Torsion spring
23	540000315	Bearing, 3/4 with locking collar
24	540005185	Stamping Kit - includes 5/16-18 hex nut (2ea), 5/16-18x3/4 carriage bolt (2ea), bearing flanges (2ea), 5/16 lockwashers (2ea)
25	540005005	Rotor cap, 3/4 ID
26	540054015	V - Pulley, B-5.0 OD, tapered bore
27	540054016	Bushing kit - bushing 3/4 bore with screws, key 3/16x1
28	540054018	V - Belt, B-34, special
29	540000339	V-Belt, B36, special (used for 8HP engine only)
30	540054019	V - Pulley engine kit for 3/4 bore - includes V-pulley 2 1/2 OD x 3/4 bore, 3/16x1 square key
31	540054020	V - Pulley engine kit for 1" bore - includes V-pulley 2 1/2 OD x 1" bore, 1/4x1 square key (used for 8HP engine only)
32	540054021	Engine Bolt Kit - includes 5/16-18x1 1/2 carriage bolt (4ea), 5/16 washer (8ea), 5/16-18 hex lock nut (4ea)
33	540054030	Deck, DT18
34	540054034	Bagger platform kit - includes platform, casters (2ea)
35	540054035	Neoprene chute 3/16 x 20.5
36	540054036	Chute kit - includes 3/16 x 20.5 neoprene chute flap, metal chute mounting strap, 1/4-20x5/8 hex screw (2ea), 1/4-20 hex nut (4ea)
37	540054037	Chute weldment kit - includes chute weldment and 1/4-20x3/4 round slotted screw (3ea)
38	540054038	Bagger frame
39	540005464	Catcher bag
40	540000061	Bagger conversion kit - includes bagger frame, catcher bag, chute weldment and hardware, neoprene chute flap, mounting tab and hardware, bagger platform, casters
41	540054054	Kit, decal DT18 Bagger

# SD18 Seeder

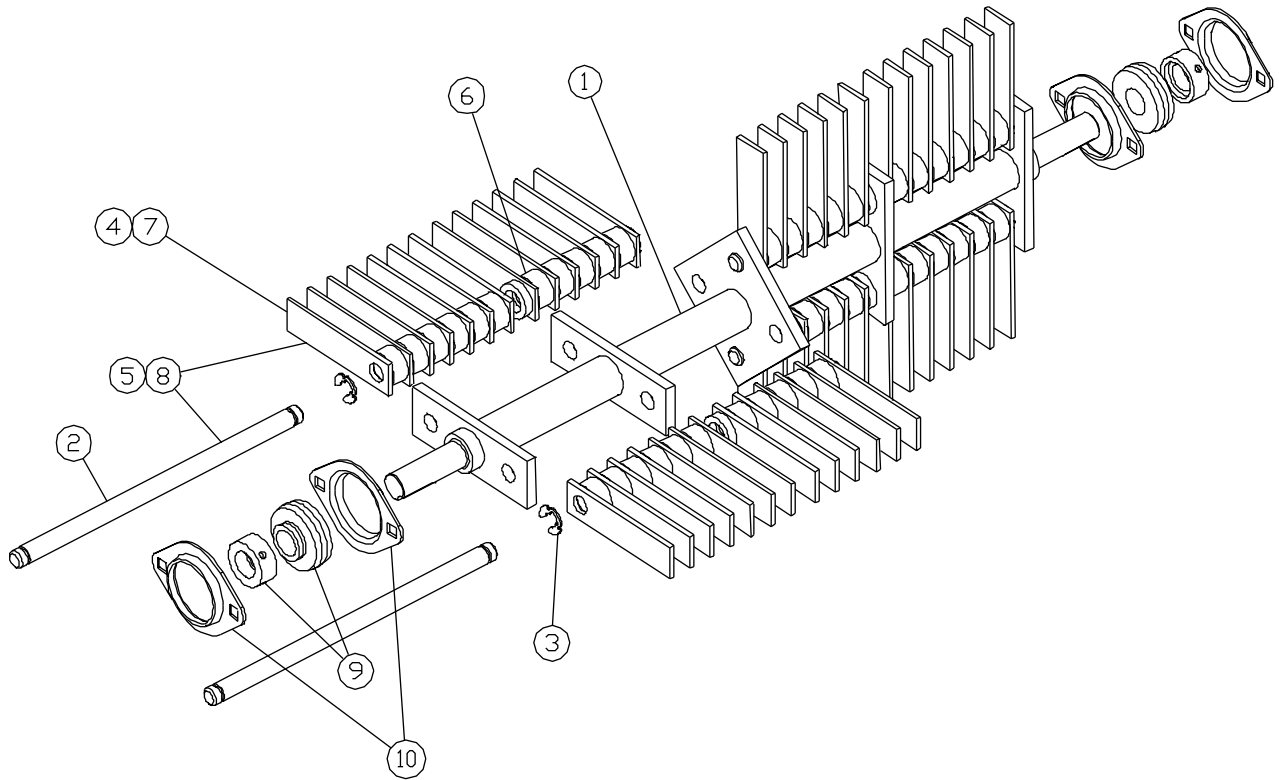




# SD18 Seeder

ITEM	PART NO.	DESCRIPTION
1	540054023	Handle Assy. - includes handle,bail,clutch cable,S-hook and handle grip
2	540054024	Clutch Cable Assy. - includes clutch cable and S-hook
3	540054003	Bail
4	540005167	Bolt kit, handle - includes 5/6-18x1 3/4 hex cap screw (2ea), 5/16-18 hex nut (2ea)
5	540005140	Belt keeper kit - includes belt keeper, 5/16 washer, 5/16-18 hex lock nut, 5/16-18x3/4 carriage bolt
6	540054025	Belt Guard Kit - includes shield, 3/8 internal lock washer and 3/8-16 acorn nut
7	540054007	Depth Lever Assy. - includes height adjustment link (2ea), adjustment lever, 5/16-18x1 1/4 hex head bolt (2ea), 5/16-18x1 1/2 hex head bolt, 5/16 flat washer (6ea), 5/16-18 hex lock nut (3ea)
8	540005027	Idler Assy Kit - includes 2 3/4 idler pulley, clutch spring, idler arm, idler tab, 3/8 washer, 3/8-16 hex jam nut, 3/8-16 hex lock nut, 3/8-16x4 hex screw
9	540000343	Pulley, idler 2 3/4 OD
10	540005121	Mounting Arm, idler pulley
11	540005129	Spring, Clutch rod
12	540054008	Depth Adjustment Knob
13	540054009	3 - pronged lock depth knob
14	540054010	Rotor guard
15	540005051	Front Wheel, 8 x 1 3/4, ball bearing
16	540054011	Bolt kit for front wheel - includes 1/2-13x3 1/4 hex bolt, 1/2 washer (2ea), 1/2-13 hex jam nut (2ea), 1/2 lock washer (1ea)
17	540054041	Wheel , left rear kit - includes 10x1.75 wheel 5/8 bore smooth, 1/4x1 1/8 roll pin
18	540054042	Wheel, right rear kit - includes 10x1.75 wheel 5/8 bore bearing, 5/8 external self locking retaining ring (2ea)
19	540054012	Lift Arm Rod Kit - includes 1/4 cotter pin, 3/8 washer, plated rod
20	540054028	Lift Arm Assy Kit - includes lift arm weldment, torsion spring
21	540054014	Torsion spring
22	540000315	Bearing, 3/4 with locking collar
23	540005185	Stamping Kit - includes 5/16-18 hex nut (2ea), 5/16-18x3/4 carriage bolt (2ea), bearing flanges (2ea), 5/16 lockwashers (2ea)
24	540005005	Rotor cap, 3/4 ID
25	540009127	Bearing, 5/8 with locking collar
26	540054049	Stamping kit - 1/4-20 hex nut (2ea), 1/4-20x3/4 carriage bolt (2ea), bearing flanges (2ea)
27	540054015	V - Pulley, B-5.0 OD, tapered bore
28	540054016	Bushing kit - bushing 3/4 bore with screws, key 3/16x1
29	540054018	V-Belt, B-34 special
30	540000339	V-Belt, B-36 special (used for 8HP engine only)
31	540054019	V - Pulley engine kit for 3/4 bore - includes V-pulley 2 1/2 OD x 3/4 bore, 3/16x1 square key
32	540054020	V - Pulley engine kit for 1" bore - includes V-pulley 2 1/2 OD x 1" bore, 1/4x1 square key (used for 8HP engine only)
33	540054021	Engine Bolt Kit - includes 5/16-18x1 1/2 carriage bolt (4ea), 5/16 washer (8ea), 5/16-18 hex lock nut (4ea)
34	540054030	Deck, DT18
35	540005162	Deflector kit - includes deflector strap (2ea), deflector plate, 1/4-20x3/4 slotted round screw (4ea), 1/4-20 nut hex (4ea), 1/4 lockwasher (4ea)
36	540005161	Deflector, neoprene
37	540054043	Lid, seed hopper kit - includes lid, window and hardware
38	540054044	Dial, gage kit - includes dial bracket and hardware
39	540054045	Control, push/pull kit - includes push/pull control, control mount plate, bracket (2ea), gate and hardware
40	540054046	Seed hopper
41	540054047	Agitator bar
42	540054048	Axle, 5/8 shaft, seeder
43	540006900	Seeder conversion kit - includes hopper, agitator, seeder control, and hardware
44	54054055	Kit Decal SD18 Seeder

# Flail Blade Reel



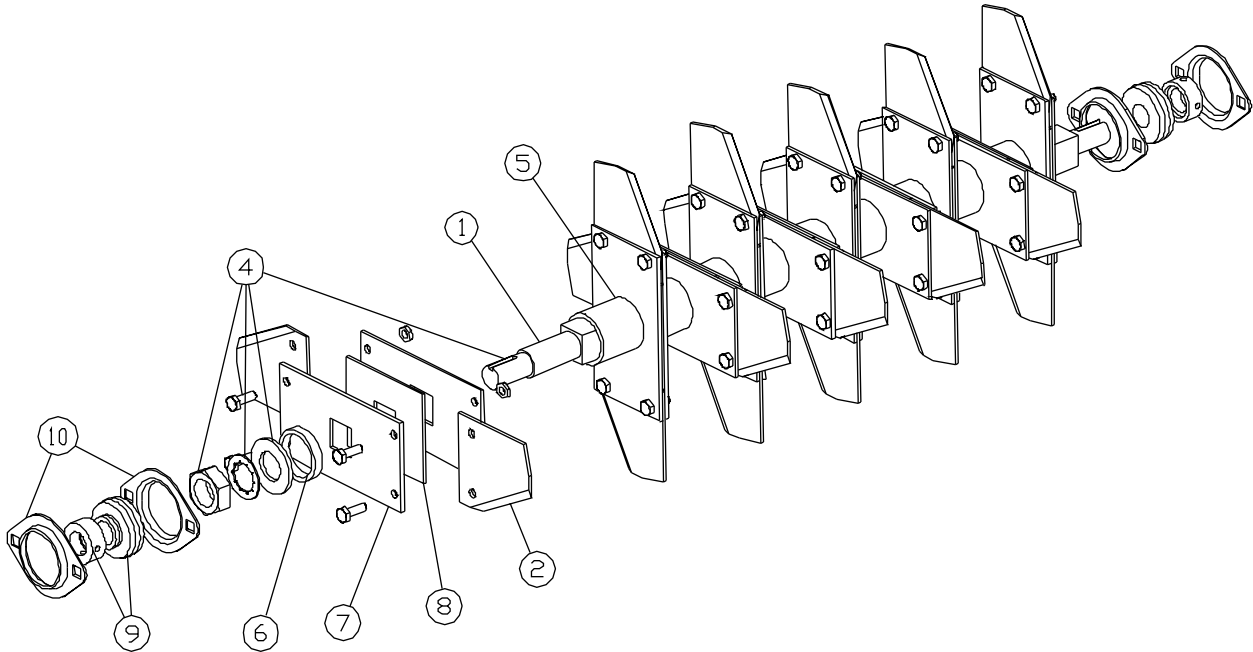
## ITEM PART NO.

## DESCRIPTION

1	.....540005170	..... Rotor, flail assy. (does not include blades, bearings, or shafts) DT18C / DT18
	.....540005275	..... Rotor, flail assy, complete w/o bearings DT18C
	.....540005175	..... Rotor, flail assy, complete w/o bearings DT18
	.....540005280	..... Rotor, flail assy, cmplete w/ blades and bearings DT18C
	.....540005180	..... Rotor, flail assy, cmplete w/ blades and bearings DT18
2	.....540005002	..... Shaft set, 4 ea w/ C-clips DT18C / DT18
3	.....540000351	..... Retaining clip DT18C / DT18
4	.....540005201	..... Blade set (52ea) 1/8 x 3 1/2 DT18C
5	.....540005203	..... Blade and shaft set DT18C
6	.....540005004	..... Spacer set, rubber (48ea) DT18C / DT18
7	.....540005001	..... Blade set (52ea) DT18
8	.....540005003	..... Blade and shaft set DT18
9	.....540000315	..... Bearing, 3/4 with locking collar DT18C / DT18
10	.....540005185	..... Stamping kit - includes flanges and hardware DT18C / DT18

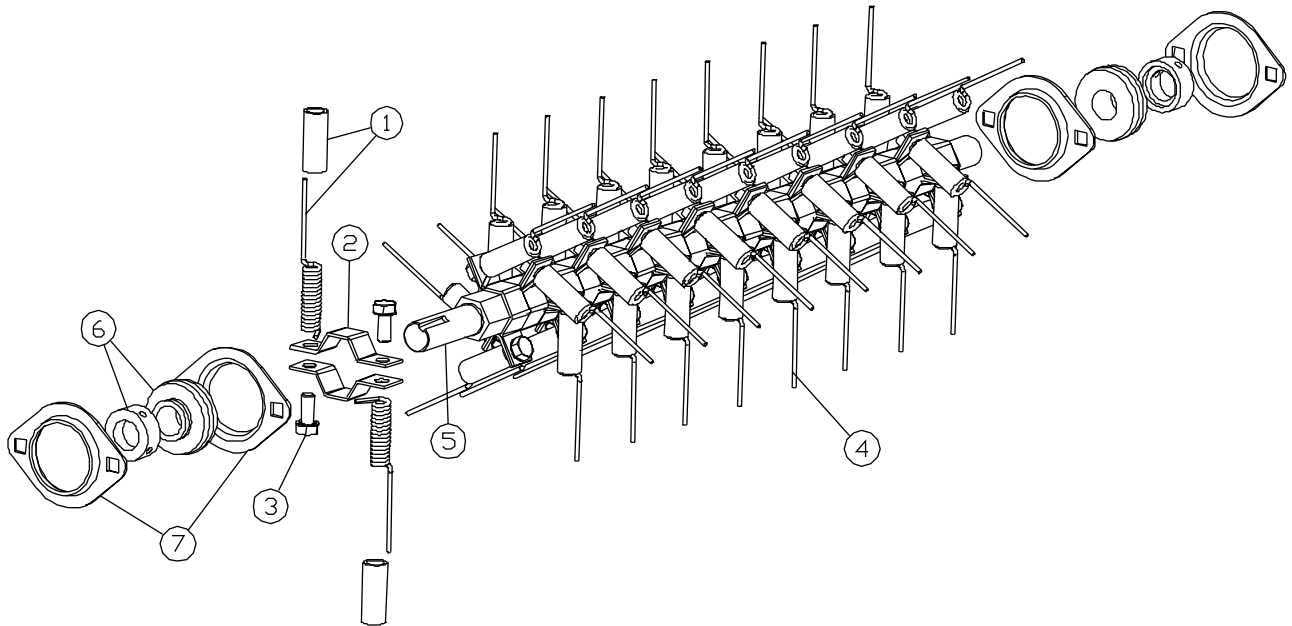
# Delta Blade Reel

When blades no longer penetrate surface, replace blades



ITEM	PART NO.	DESCRIPTION
1	540005249	Delta reel assy, w/o blades or hardware DT18C
	540005049	Delta reel assy, w/o blades or hardware DT18
	540005920	Delta reel assy, complete w/o bearings DT18C
	540005940	Delta reel assy, complete w/o bearings DT18
	540005922	Delta reel assy, Complete w/ blades and bearings DT18C
	540005942	Delta reel assy, Complete w/ blades and bearings DT18
2	540005970	Blade set, Delta (20ea) DT18C / DT18
3	540005075	Bolt kit, blade DT18C / DT18
4	540005061	Shaft, delta reel w/ nut and washers DT18C / DT18
5	540005064	Spacer, carrier, steel tube (1ea) DT18C / DT18
6	540005065	End ring, steel (1ea) DT18C / DT18
7	540005268	Plate, blade carrier (1ea) DT18C
	540005062	Plate, blade carrier (1ea) DT18
8	540005269	Plate, blade spacer DT18C
	540005063	Plate, blade spacer DT18
9	540000315	Bearing, 3/4 with locking collar DT18C / DT18
10	540005185	Stamping kit - includes flanges and hardware DT18C / DT18

# Spring Tine Reel



1. Spring tines can be replaced without removing the reel assembly.
2. Replacement requires 1/2" socket.
3. This reel is only used on the DT18C dethacher.

## ITEM PART NO.

## DESCRIPTION

4 .....	540054050 .....	Reel tine assy, complete w/o bearings
.....	540054056 .....	Reel tine assy, complete w/ bearings
5 .....	540054051 .....	Shaft, tine reel
6 .....	540000315 .....	Bearing, 3/4 with locking collar
7 .....	540005185 .....	Stamping kit - includes flanges and hardware