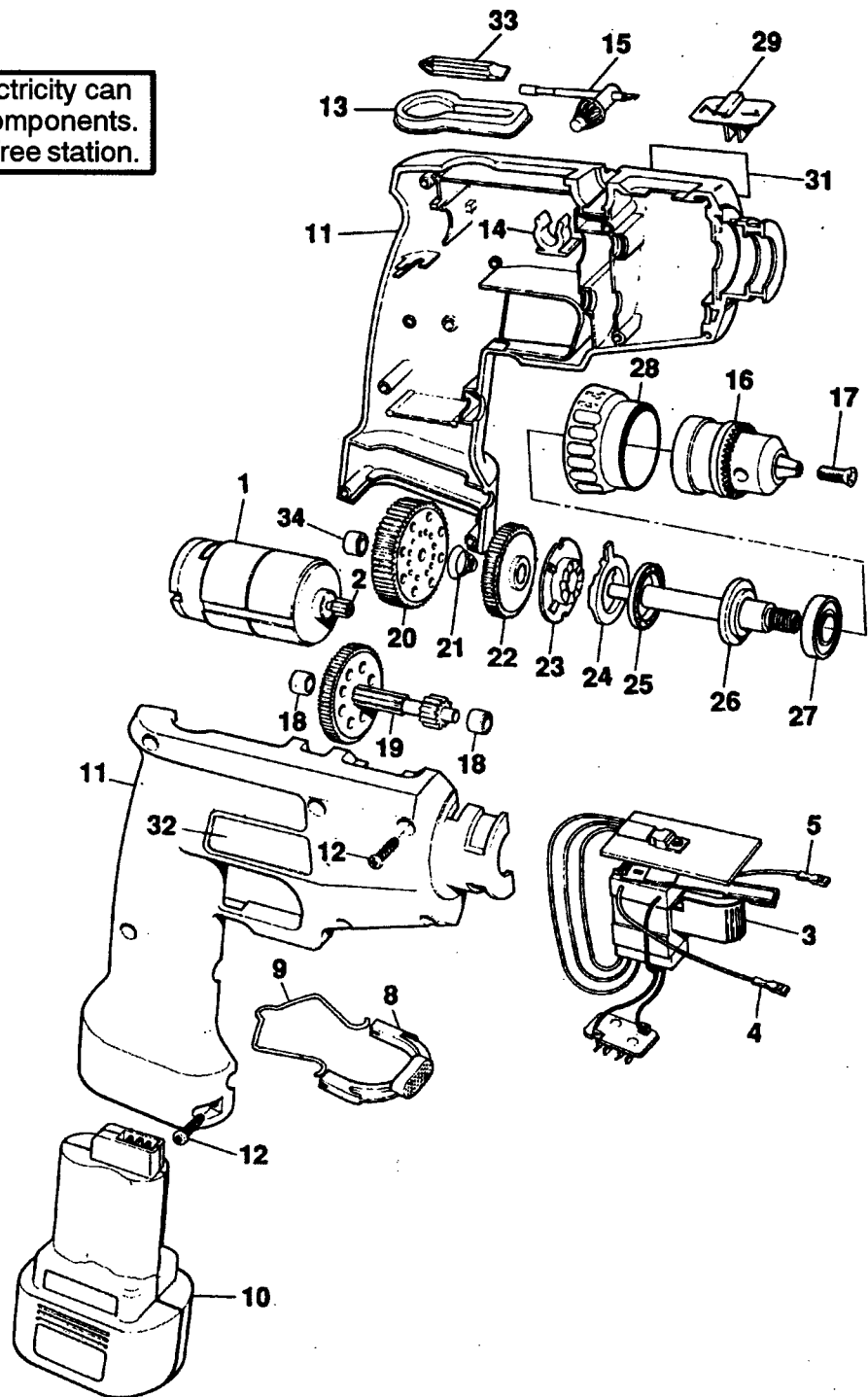


CAUTION: Static electricity can damage electronic components. Repair only at static-free station.



ITEM NO.	PART NO.	DESCRIPTION	QTY
1	793531-04	Motor - 03	1
2	794787-00	Pinion	1
3	798328-03	Switch -10	1
4	839853-00	Lead (Black)	1
5	844831-00	Lead (Red)	1
8	144500-00	Latch	1
9	144501-00	Spring	1
10	DV25	Battery Pack (0616) (Acc.)	1
11	795788-00	Housings 807752-00	1
12	330013-04	Screw	8
13	792684-00	Retainer	1
14	450315-00	Chuck Key Holder	1
15	330034-00	Chuck Key	1
16	283988-00	Chuck - 284306-00	1
17	805434-00	Special Screw	1
18	450311-00	Bearing	2
19	832484-03	Gear & Pinion	1
20	147699-00	Gear	1

ITEM NO.	PART NO.	DESCRIPTION	QTY
21	792873-00	Spring	1
22	797301-01	Gear 748204-01	1
23	748212-00	Stationary Clutch	1
24	832500-00	Cam	1
25	892261-00	Thrust Bearing	1
26	832483-00	Spindle	1
27	330003-10	Ball Bearing	1
28	832499-00	Collar	1
29	832496-00	Reversing Lever	1
φ32	233305-00	Nameplate	1
34	147700-00	Sleeve Bearing	1

φ NOTES:
32 Date Code located on nameplate.

PARTS NOT SHOWN:

(Supplied with Unit)	
805170-00	Charger

IMPORTANT! To assure product SAFETY and RELIABILITY, repairs, maintenance and adjustment should be performed by BLACK & DECKER Service Centers or other qualified service organizations, always using BLACK & DECKER replacement parts.

**3/8" CORDLESS HAMMERDRILL
CD6000**

Cat. no.	Type	Volts	RPM
DV50MP	1	9.6	0-450/0-1000

Service Cat No. 0751

Black & Decker (U.S.), Inc.
Product Service Division
Hampstead, Maryland 21074

284210-00

