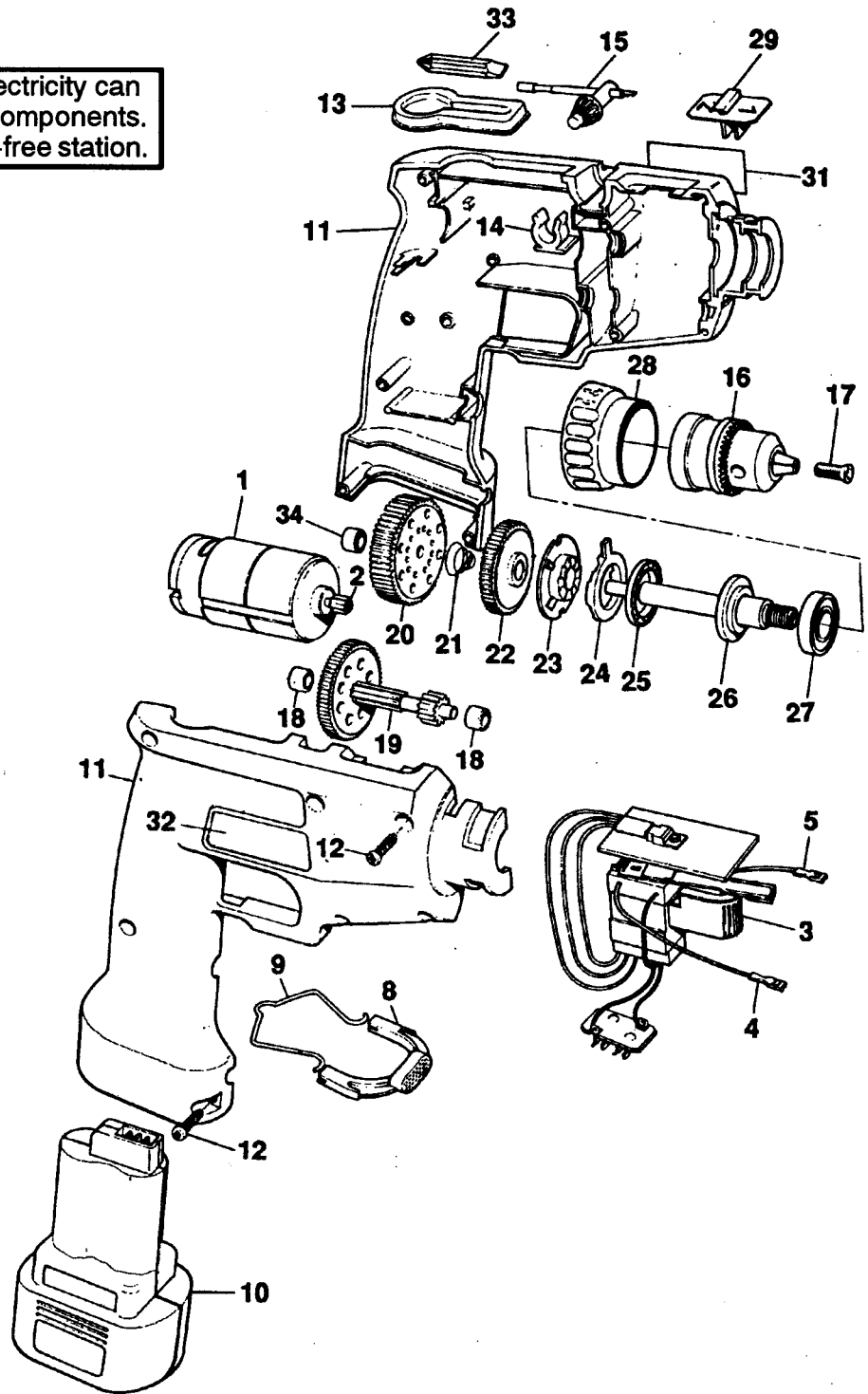


**CAUTION:** Static electricity can damage electronic components. Repair only at static-free station.



ITEM NO.	PART NO.	DESCRIPTION	QTY
1	793531-03	Motor	1
2	794787-00	Pinion	1
3	798328-02	Switch -11	1
4	839853-00	Lead (Black)	1
5	844831-00	Lead (Red)	1
8	144500-00	Latch	1
9	144501-00	Spring	1
10	DV20	Battery Pack (0620)	1
11	832524-00	Housings	1
12	330013-04	Screw	8
13	792684-00	Retainer	1
14	450315-00	Chuck Key Holder	1
15	330034-00	Chuck Key	1
16	283988-00	Chuck -284366-00	1
17	805434-00	Special Screw	1
18	450311-00	Bearing	2
19	832484-03	Gear & Pinion	1

ITEM NO.	PART NO.	DESCRIPTION	QTY
20	147699-00	Gear	1
21	792873-00	Spring	1
22	797301-04	Gear 748204-01	1
23	748212-00	Stationary Clutch	1
24	832500-00	Cam	1
25	892261-00	Thrust Bearing	1
26	832483-00	Spindle	1
27	330003-10	Ball Bearing	1
28	832499-00	Collar	1
29	832496-00	Reversing Lever	1
φ32	233305-00	Nameplate	1
34	147700-00	Sleeve Bearing	1

**PARTS NOT SHOWN:**  
(Supplied with Unit)

805170-00	Charger	1
-----------	---------	---

**φ NOTES:**

32 Date Code located on nameplate.

**IMPORTANT!** To assure product SAFETY and RELIABILITY, repairs, maintenance and adjustment should be performed by BLACK & DECKER Service Centers or other qualified service organizations, always using BLACK & DECKER replacement parts.

**3/8" CORDLESS HAMMERDRILL  
CD 5000**

Cat. no.	Type	Volts	RPM
DV50SC	1	7.2	0-300/0-600

Service Cat No. 0622

Black & Decker (U.S.), Inc.  
Product Service Division  
Hampstead, Maryland 21074

284210-00

