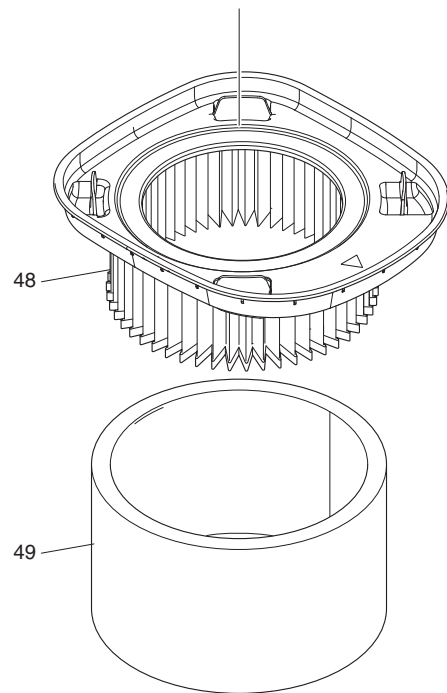
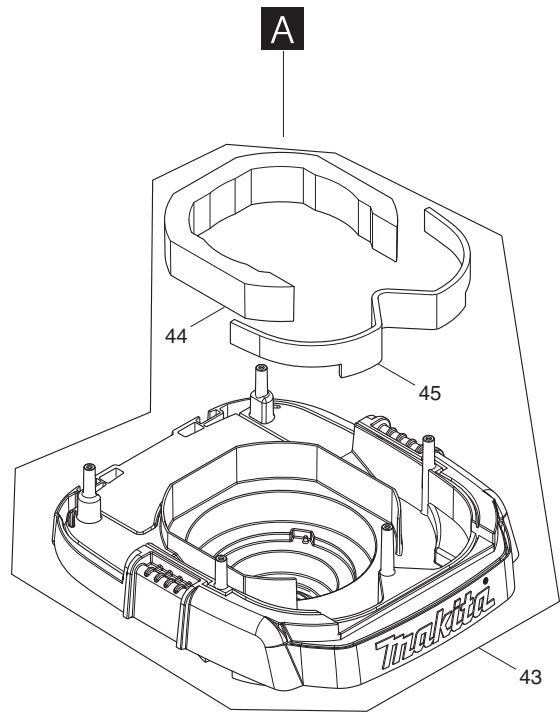
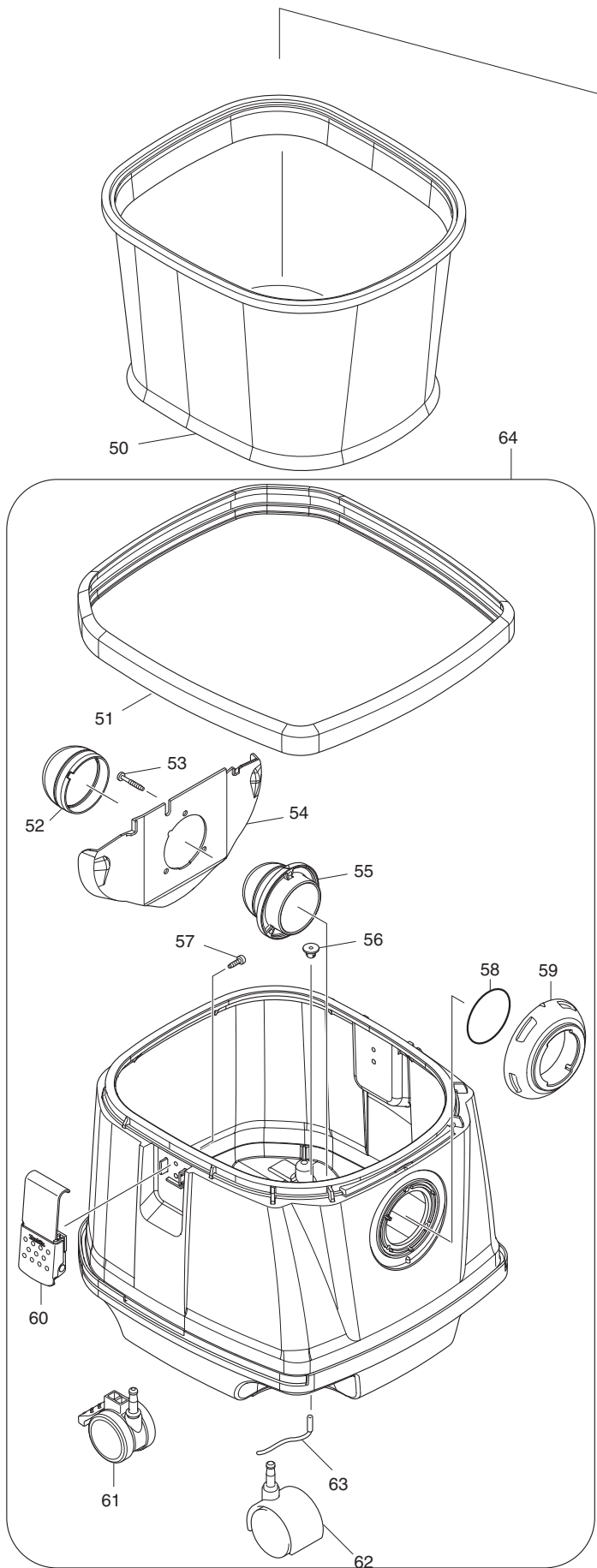


DVC154L



DVC154L

Item No.	Type	Sub	Part No.	Description	Qty	Unit
001			144486-9	BATTERY COVER COMPLETE	1	PC.
		INC.	891977-8	CAUTION LABEL	1	PC.
002			855W78-4	NAME PLATE F/DVC154L	1	PC.
003			455734-4	GRIP	1	PC.
004			459262-1	SWITCH BUTTON	1	PC.
005			234273-5	COMPRESSION SPRING 20	2	PC.
006			266340-8	TAPPING SCREW 4X65	6	PC.
007			144973-8	COWLING COMPLETE	1	PC.
		INC.		Item No. 8,9		
008			263005-3	RUBBER PIN 6	4	PC.
009			424688-6	TOP DAMPER	1	PC.
010			266326-2	TAPPING SCREW 4X18	2	PC.
011			451343-7	SWITCH HOLDER	1	PC.
012			686023-8	RECEPTACLE SLEEVE	8	PC.
013			651098-6	SWITCH 1703.4801	1	PC.
014			961062-2	STOP RING E-12	1	PC.
015			620649-6	LED CIRCUIT	1	PC.
016			631922-9	SUB CONTROLLER	1	PC.
017			961013-5	STOP RING E-7	1	PC.
018			140H44-7	SWITCH BASE COMPLETE	1	PC.
		INC.	812D41-6	INDICATION LABEL	1	PC.
		INC.	818H47-6	SWITCH LABEL	1	PC.
019			213176-6	O RING 14	1	PC.
020			455733-6	SWITCH LEVER	1	PC.
021			213054-0	O RING 9	1	PC.
022			451344-5	SWITCH DIAL	1	PC.
023			455728-9	BATTERY COVER HOOK	1	PC.
024			231240-1	COMPRESSION SPRING 7	1	PC.
025			644808-8	TERMINAL	2	PC.
026			455729-7	TERMINAL BASE	1	PC.
027			620726-4	CONTROLLER	1	PC.
028			457609-3	CONTROLLER HOLDER	1	PC.
029			651910-0	SWITCH D2VW-01-3HS	1	PC.
030			686039-3	RECEPTACLE SLEEVE	1	PC.
031			424981-8	SPACER	1	PC.
032			424980-0	CAP	1	PC.
033			252268-6	HEX. NUT M6	1	PC.
034			455726-3	SEPARATER	1	PC.
035			253752-4	FLAT WASHER 8	1	PC.
036			240178-9	FAN 104	1	PC.
037			313062-2	FLANGE	1	PC.
038			424685-2	RUBBER RING 60	1	PC.
040			424686-0	RUBBER RING 120	1	PC.
041			424687-8	SUPPORT RING	1	PC.
042			424690-9	REAR BLOCK FILTER	2	PC.
043			143175-3	TANK COVER COMPLETE	1	PC.
		INC.		Item No. 44,45		
044			424691-7	BAND DAMPER	1	PC.
045			424689-4	FRONT DAMPER	1	PC.
048			197166-6	HEPA FILTER	1	PC.
049			195552-5	DAMPER - PKG	1	PC.
050			195553-3	PRE-FILTER COMPLETE	1	PC.
051			422148-2	BUMPER	1	PC.
052			424382-0	RUBBER HOLDER	1	PC.
053			266257-5	TAPPING SCREW 4X28	3	PC.
054			419351-4	HOLDER PLATE	1	PC.

Item No.	Type	Sub	Part No.	Description	Qty	Unit
055			419350-6	HOLDER	1	PC.
056			421468-1	CORD SEAL	1	PC.
057			266192-7	TAPPING SCREW 4X14	4	PC.
058			213655-4	O RING 56	1	PC.
059			451348-7	INLET	1	PC.
060			168537-4	HOOK	2	PC.
061			168535-8	CASTER 50	2	PC.
062			168434-4	CASTER 50	2	PC.
063			649150-2	EARTH LINE 120	1	PC.
064			191B57-5	TANK ASSEMBLY SET B	1	PC.
		INC.		Item No. 51-63		
065			347171-5	FAN COVER	1	PC.
066			266326-2	TAPPING SCREW 4X18	3	PC.
067			457486-3	FAN BASE	1	PC.
068			266326-2	TAPPING SCREW 4X18	4	PC.
069			619431-8	ROTOR	1	PC.
070			652069-6	FLAT HEAD SCREW M3X6	3	PC.
071			632J83-8	LEAD UNIT	1	PC.
072			183F90-5	MOTOR HOUSING SET	1	PC.
074			629256-2	STATOR	1	PC.
075			620648-8	CONTROLLER B	1	PC.
076			266490-9	TAPPING SCREW PT 2X6	3	PC.
077			620755-7	WIRELESS UNIT COMPLETE	1	PC.
E01			819R24-1	CAUTION LABEL	1	PC.
<b>ACCESSORIES</b>			<b>- Visit <a href="http://www.makita.ca">www.makita.ca</a> for more accessories information -</b>			
A01			195433-3	HOSE COMPLETE 28-3.5M W/FRONT CUFFS 22,24,38	1	PC.
		INC.	195545-2	FRONT CUFF 38 - PKG	1	PC.
		INC.		Item No. A03,A04		
A02			195432-5	POLY BAG 10PC/SET	1	SET
A03			195547-8	FRONT CUFF 22 - PKG	1	PC.
A04			195546-0	FRONT CUFF 24 - PKG	1	PC.
A05			455732-8	ACCESSORY TOOL BOX	1	PC.
A13			198901-5	AWS BLUETOOTH® TRANSMITTER	1	PC.
A14			---	18V LI-ION BATTERY	2	PC.
A15			---	BATTERY CHARGER	1	PC.
A16			---	LI-ION BATTERY ACCESSORIES		