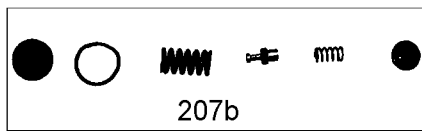
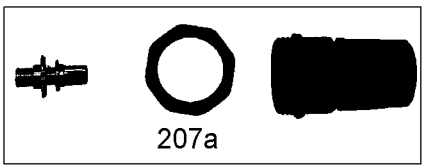
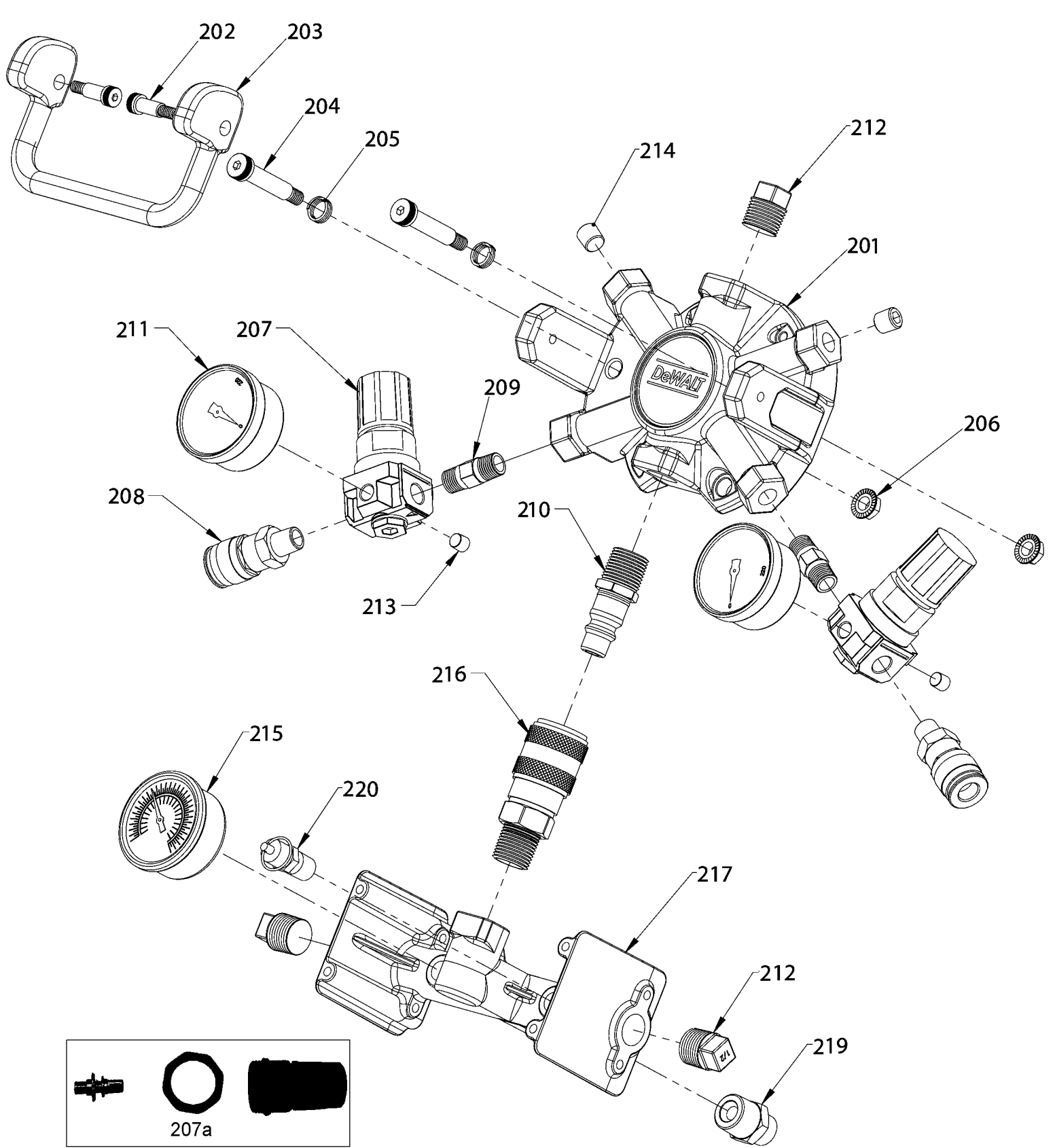


138  
 139  
 140





## Parts List for DXCMWA5591056 Type 0

Item Number	Part Number	Description	Qty Required
1	5140197-68	SHEAVE	1
2	5140197-69	V-BELT	1
4	5140120-60	CHECK VALVE	1
5	5140197-70	PUMP ASSEMBLY	1
6	5140119-88	COMPRESSION NUT	1
7	5140119-66	COMPRESSION NUT	2
8	5140153-27	NUT	8
9	5140177-69	NUT	4
10	5140197-71	NUT	1
11	5140156-25	BOLT	4
12	5140177-58	BOLT	5
13	5140197-72	SCREW	1
14	5140153-29	SCREW	2
15	5140197-73	SCREW	2
16	5140197-74	SCREW	2
17	5140194-51	SCREW	4
18	5140197-75	BOLT	1
19	5140197-76	BOLT	1
20	5140153-32	WASHER	2
21	5140153-35	SCREW	4
22	5140153-34	WASHER	7
23	5140176-45	WASHER	4
24	5140197-77	WASHER	4
25	5140153-37	SCREW	8
26	5140119-69	ELBOW	1
27	5140197-78	ELBOW	1
28	5140182-45	ELBOW	1

## Parts List for DXCMWA5591056 Type 0

Item Number	Part Number	Description	Qty Required
29	5140177-65	NIPPLE	1
30	5140121-06	CONNECTOR	2
31	5140186-97	UNLOADER	1
32	5140172-85	PET COCK	1
33	5140172-91	DRAIN VALVE	1
34	5140186-86	THROTTLE CONTROL	1
35	5140197-79	HANDLE GRIP	1
36	5140119-06	PAD VIBRATION	4
37	5140197-80	WHEEL	1
38	5140173-00	CAUTION LABEL	1
39	5140186-99	CAUTION LABEL	1
40	5140177-52	WARNING LABEL	1
41	5140119-14	WARNING LABEL	1
42	5140177-68	WARNING LABEL	1
43	5140153-39	U-NUT	4
44	5140172-78	BRACKET	1
45	5140197-82	STABILIZER BAR	1
46	5140197-83	MANIFOLD COVER	1
47	5140197-84	BRACKET	1
48	5140197-85	BELT GUARD-INNER	1
49	5140197-86	BELT GUARD	1
50	000000-00	No Longer Available	1
51	5140197-88	MALE CONNECTOR	1
52	5140197-89	BLEEDER TUBE	1
53	5140177-59	TRANSFER TUBE	1
54	5140198-07	AIR TUBE	1
55	5140198-08	UNLOADER TUBE	1

## Parts List for DXCMWA5591056 Type 0

Item Number	Part Number	Description	Qty Required
56	5140119-00	KEY	1
58	5140153-33	WASHER	4
101	5140177-75	SCREW & WASHER	3
103	5140119-24	COVER	1
104	5140173-07	FILTER PLATE	1
105	5140182-46	FILTER ASSY.	1
106	5140177-78	SCREW	4
107	5140173-54	LOCK WASHER	18
108	5140121-18	HEAD ASSEMBLY	1
109	5140173-63	BOLT	4
110	5140119-28	HEAD GASKET	1
111	5140119-29	VALVE PLATE ASSEMBLY	1
112	5140119-30	GASKET	1
113	5140173-60	BOLT	10
114	5140119-31	CYLINDER	1
115	5140119-32	GASKET	1
116	5140119-33	CRANK CASE	1
117	5140119-34	BREATHER	1
118	5140150-56	CAP ASSEMBLY	1
119	5140177-79	SCREW	6
120	5140177-80	LOCK WASHER	6
121	5140119-36	GASKET	1
122	5140119-37	BEARING	1
123	5140177-81	OIL DRAIN PLUG	1
124	5140153-75	SIGHT GLASS	1
125	5140121-19	CRANKSHAFT	1
126	5140119-40	BEARING	1

## Parts List for DXCMWA5591056 Type 0

Item Number	Part Number	Description	Qty Required
127	5140119-41	GASKET	1
128	5140119-42	CARRIER	1
129	5140119-43	OIL SEAL	1
130	5140119-44	FLYWHEEL	1
131	5140119-45	KEY	1
132	5140177-82	WASHER	1
133	5140177-83	SCREW	1
135	5140121-20	ROD	2
136	5140119-48	PISTON ASSY.	2
137	5140119-49	RING SET	2
138	5140121-21	OVERHAUL KIT	1
139	5140121-22	HEAD/VALVE ASSY.	1
140	5140119-52	GASKET SET	1
201	5140197-92	MANIFOLD BLOCK	1
202	5140197-93	BOLT	2
203	5140197-94	HANDLE	1
204	5140197-95	BOLT	2
205	5140197-96	SPRING	2
206	5140153-27	NUT	2
207	5140172-21	REGULATOR	2
207	5140197-97	REPAIR KIT	2
207	5140197-98	REPAIR KIT	2
208	5140119-61	QUICK CONNECT	2
209	5140177-65	NIPPLE	2
210	5140197-99	MALE CONNECTOR	1
211	5140119-59	GAUGE	2
212	5140198-00	PLUG	3

## Parts List for DXCMWA5591056 Type 0

Item Number	Part Number	Description	Qty Required
213	5140177-66	PLUG	2
214	5140176-44	PLUG	2
215	5140172-88	PRESSURE GAUGE	1
216	5140198-01	QUICK COUPLER	1
217	5140198-02	MANIFOLD BLOCK	1
219	5140197-88	MALE CONNECTOR	1
220	5140119-54	VALVE	1