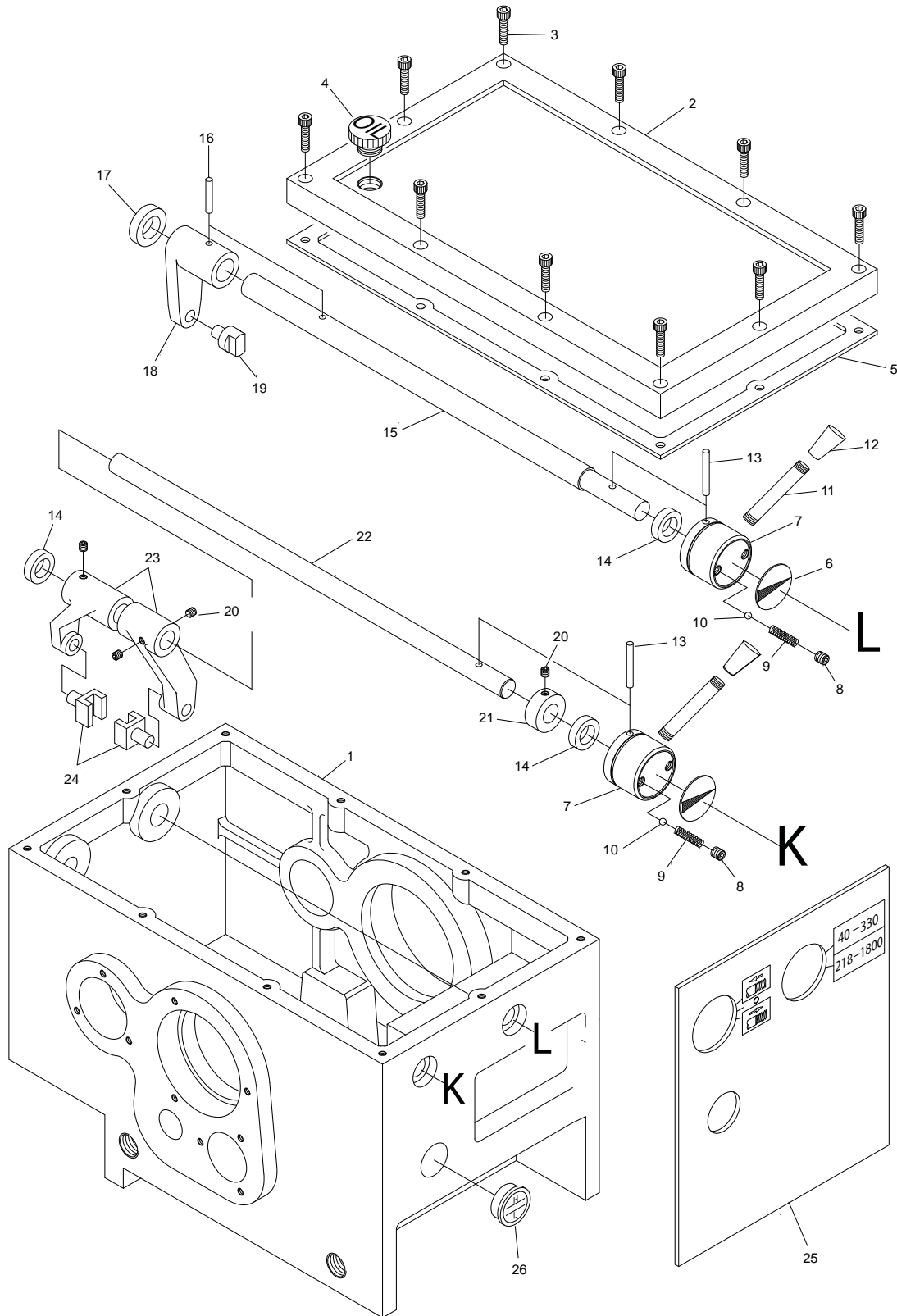
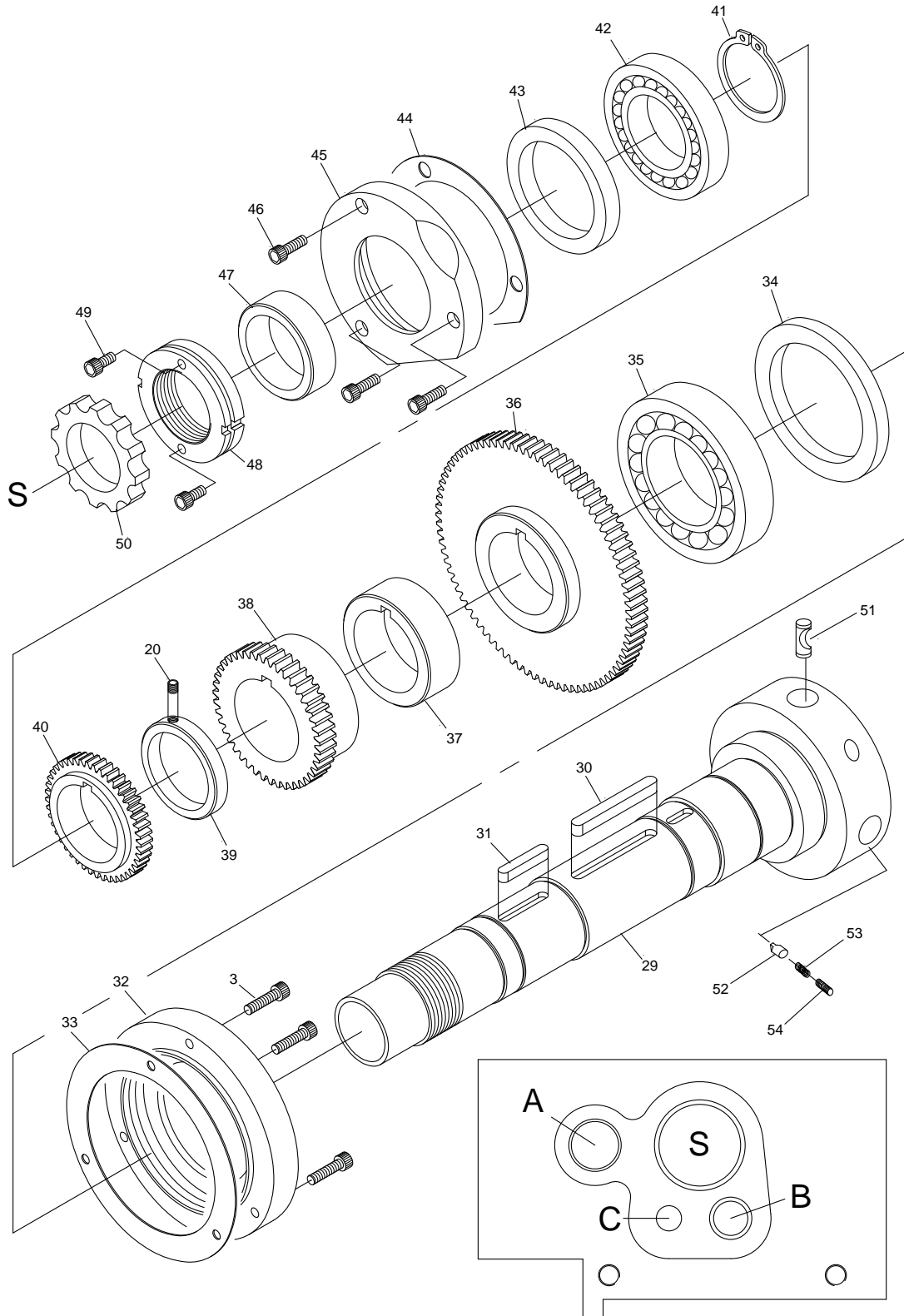


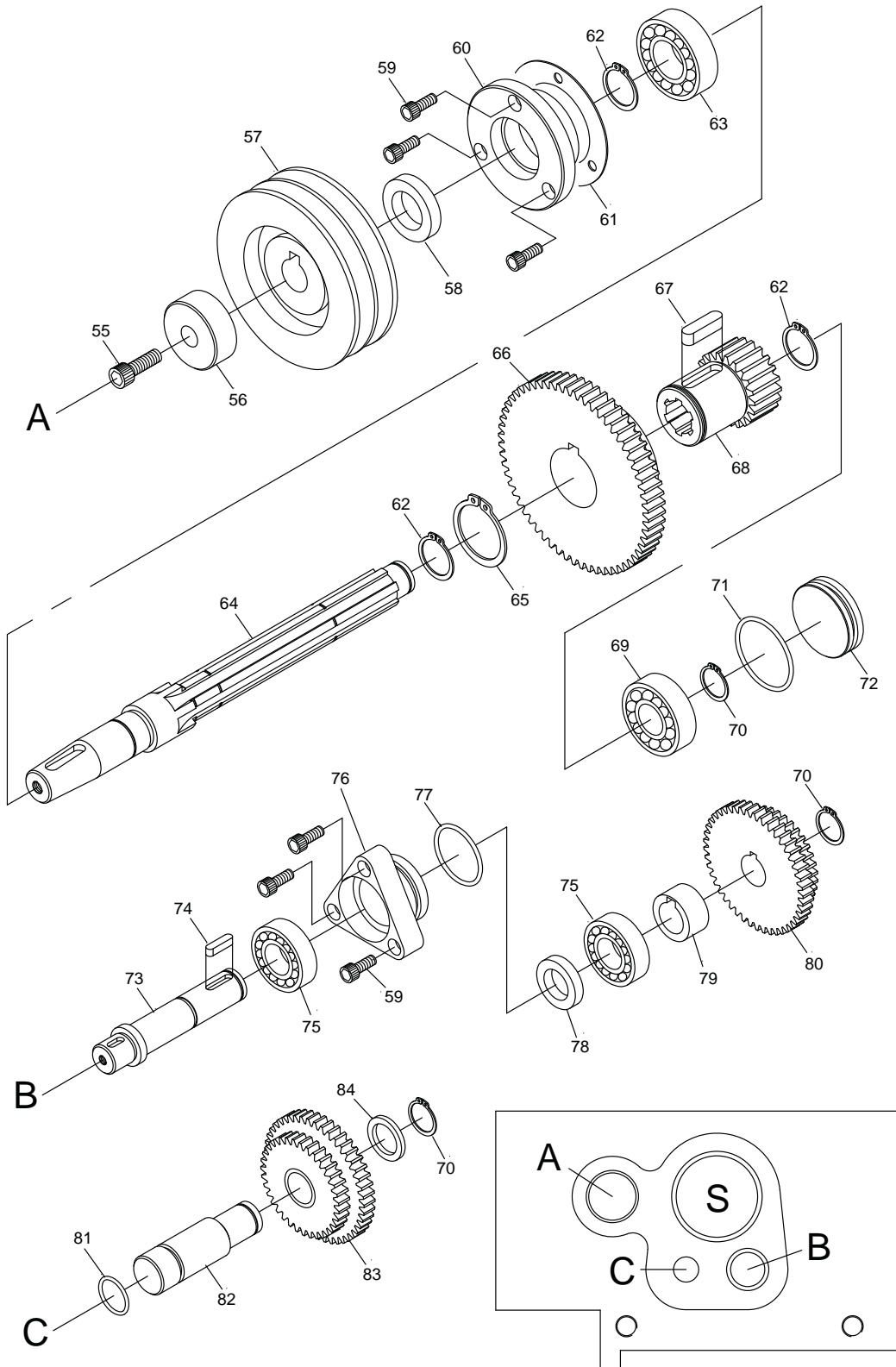
HEADSTOCK ASSEMBLY



HEADSTOCK ASSEMBLY



HEADSTOCK ASSEMBLY



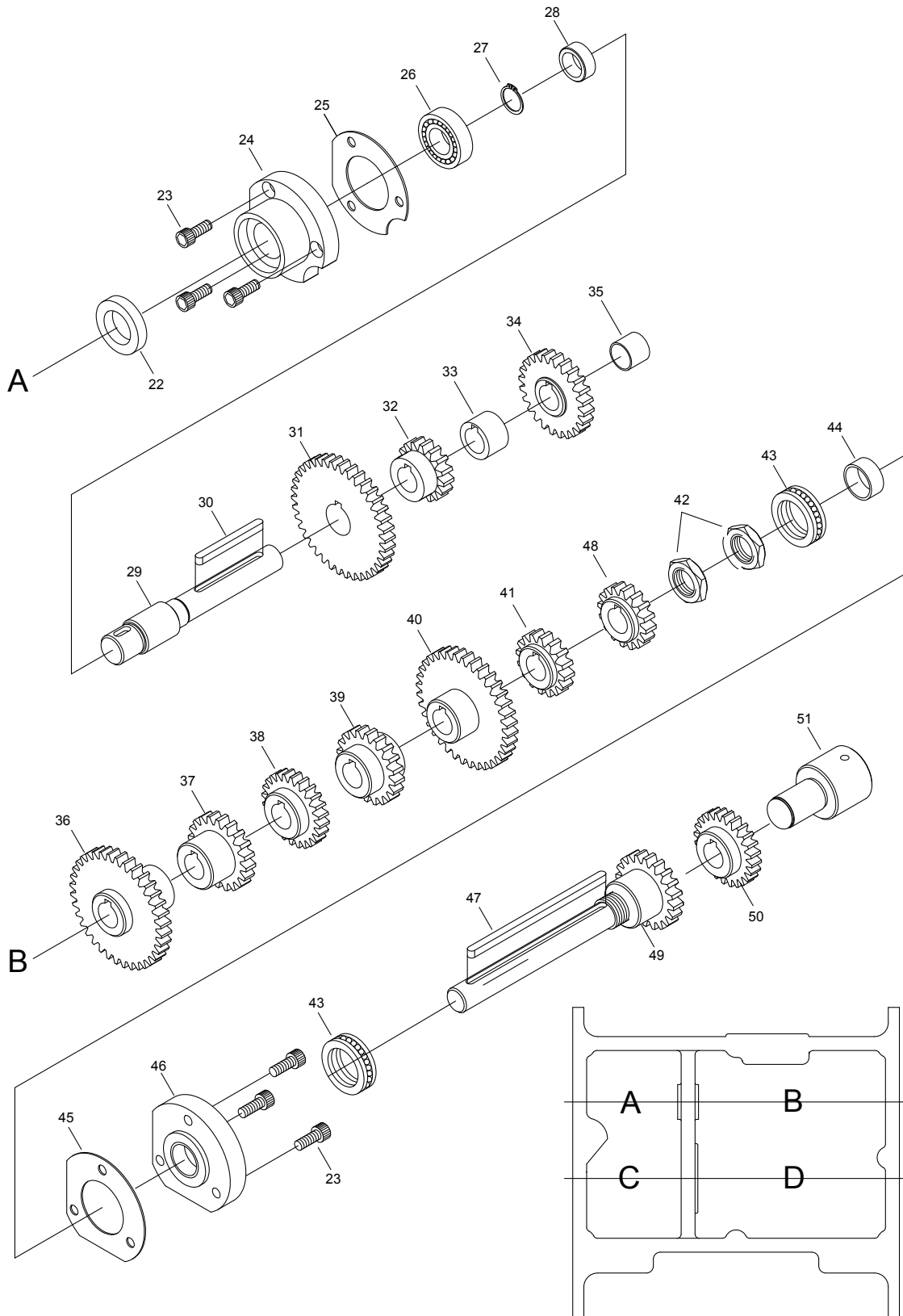


HEADSTOCK ASSEMBLY PARTS LIST

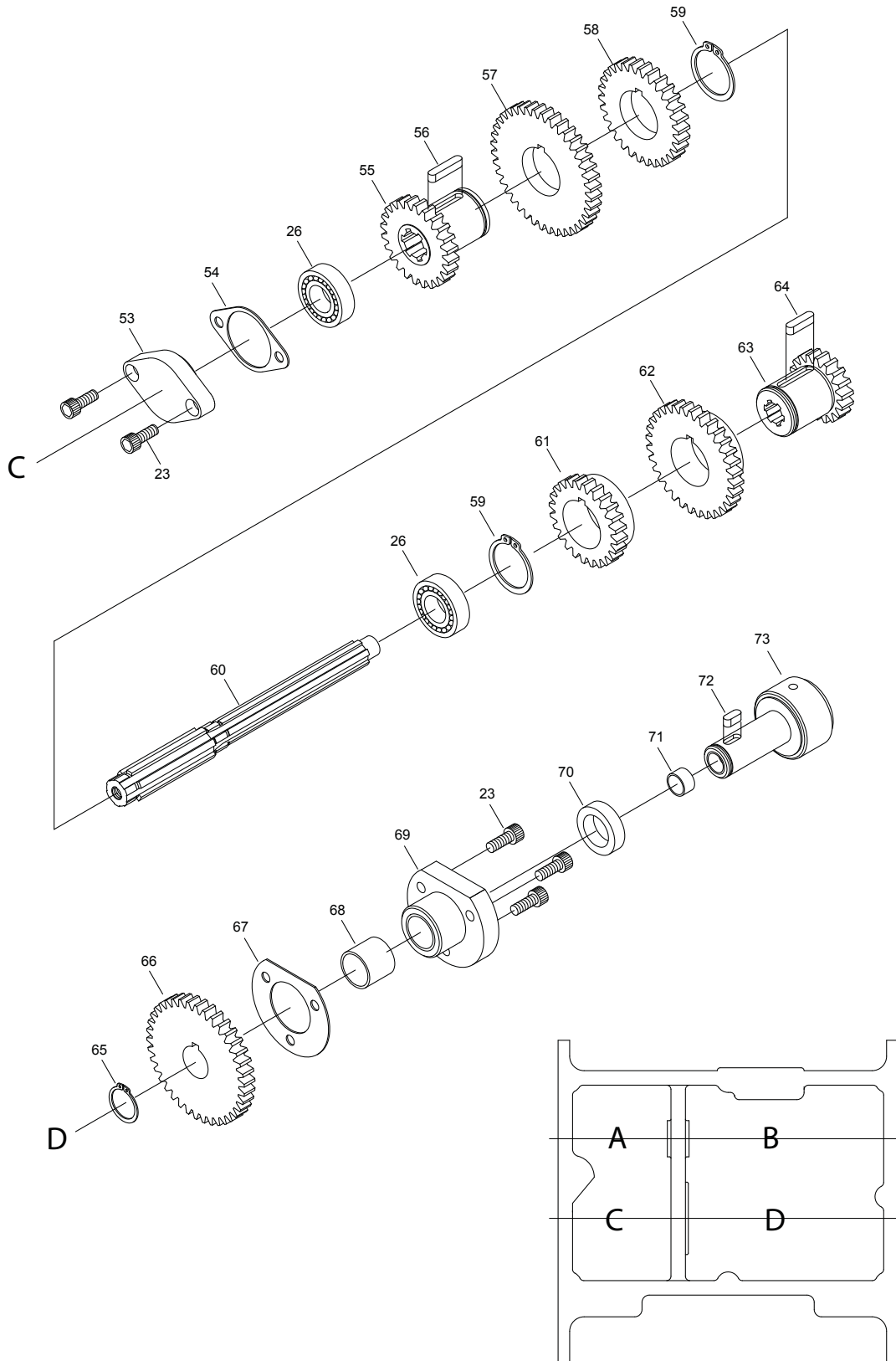
Index No.	Parts No.	Description	Size	Qty.
1	EBL1236VS-A01	Headstock Casting	405*235*238	1
2	EBL1236VS-A02	Headstock Cover	405L*235W*23H	1
3	TS-1503061	Socket Head Cap Screw	M6×25mm	13
4	EBL1236VS-A04	Plug	3/4 in.(P.V.C)	1
5	EBL1236VS-A05	Gasket For Headstock Cover 4163		1
6	EBL1236VS-A06	Index Plate		2
7	EBL1236VS-A07	Handle	Ø45*35L	2
8	TS-1524011	Set Screw	M8x8L	2
9	EBL1236VS-A09	Spring	1/4 in × 27mm	2
10	SB-1/4	Ball Steel	1/4 in. dia	2
11	EBL1236VS-A11	Lever		2
12	EBL1236VS-A12	Handle		2
13	EBL1236VS-A13	Pin	5×40mm	2
14	EBL1236VS-A14	Oil Seal	TC 16×26×7mm	2
15	EBL1236VS-A15	Shaft	Ø19.5*425L (Ø16)	1
16	EBL1236VS-A16	Pin	Ø5×30mm	1
17	EBL1236VS-A17	Oil Seal	TC 19×32×8mm	1
18	EBL1236VS-A18	Shaft Fork	PCD 62*50L	1
19	EBL1236VS-A19	Shift Fork	Ø19*26.5	2
20	TS-1523011	Set Screw	M6x6L	4
21	EBL1236VS-A21	Collar		1
22	EBL1236VS-A22	Shaft	Ø19.5*425L (Ø16)	1
23	EBL1236VS-A23	Shift Fork	122L 55h	2
24	EBL1236VS-A24	Shift Fork		2
25	EBL1236VS-A25	Headstock Plate		1
26	EBL1236VS-A26	Oil Sight	1-1/8 in.(28mm.)	1
29	EBL1236VS-A29	Main Spindle	Ø117.5*408.1L	1
30	EBL1236VS-A30	Key	8×70mm	1
31	EBL1236VS-A31	Key	7×40mm	1
32	EBL1236VS-A32	Cover	Ø145*Ø80.5*25W	1
33	EBL1236VS-A33	Gasket For 4162		1
34	EBL1236VS-A34	Oil Seal	TC Ø80×Ø105×Ø10mm	1
35	BB-32212	Bearing	No.32212	1
36	EBL1236VS-A36	Gear	2M 82T	1
37	EBL1236VS-A37	Collar	Ø75*Ø55*26 key 8*4.5	1
38	EBL1236VS-A38	Gear	2M 43T	1
39	EBL1236VS-A39	Collar	Ø52.25*Ø52*20W key 7*3.5	1
40	EBL1236VS-A40	Gear	1.75M 45T	1
41	EBL1236VS-A41	Circlip	S-50mm	1
42	BB-30210	Bearing	No.30210	1
43	EBL1236VS-A43	Oil Seal	TC 65×85×12mm	1

Index No.	Parts No.	Description	Size	Qty.
44	EBL1236VS-A44	Gasket For 4110		1
45	EBL1236VS-A45	Cover	Ø123*21W	1
46	TS-1503051	Socket Head Cap Screw	M6×20mm	3
47	EBL1236VS-A47	Collar	Ø64.5*Ø50*20W	1
48	EBL1236VS-A48	Nut	Ø75*19W	1
49	TS-1503031	Socket Head Cap Screw	M6×12mm	2
50	EBL1236VS-A50	Index Ring	Ø72*Ø45*12	1
51	EBL1236VS-A51	Cam Lock		3
52	EBL1236VS-A52	Pin		3
53	EBL1236VS-A53	Spring		3
54	EBL1236VS-A54	Screw		3
55	TS-1504051	Socket Head Cap Screw	M8x25L	1
56	EBL1236VS-A56	Washer	Ø44*Ø7.9*17	1
57	EBL1236VS-A57	Pulley	Ø114.3*Ø21.35*50W	1
58	EBL1236VS-A58	Oil Seal	TC 25×40×8mm	1
59	TS-1503041	Socket Head Cap Screw	M6×16mm	6
60	EBL1236VS-A60	Cover	Ø80*21L (Ø35)	1
61	EBL1236VS-A61	Gasket For 4164		1
62	EBL1236VS-A62	Circlip	S-25mm	3
63	BB-6205	Bearing	No.6205	1
64	EBL1236VS-A64	Shaft	Ø30*302L 21*25*5	1
65	EBL1236VS-A65	Circlip	S-38mm	1
66	EBL1236VS-A66	Gear	2M 60T	1
67	EBL1236VS-A67	Key	8×30mm	1
68	EBL1236VS-A68	Gear	2M 21T	1
69	BB-6204	Bearing	No.6204	1
70	EBL1236VS-A70	Circlip	S-20mm	3
71	EBL1236VS-A71	O-Ring	42×48×3.0mm	1
72	EBL1236VS-A72	Plug	Ø47*12W	1
73	EBL1236VS-A73	Shaft	Ø25*109L key 5*2.5	1
74	EBL1236VS-A74	Key	5×20mm	1
75	BB-6004	Bearing	No.6004	2
76	EBL1236VS-A76	Cover	P.C.D. Ø42*Ø32*32L	1
77	EBL1236VS-A77	O-Ring	34×40×3.0mm	1
78	EBL1236VS-A78	Oil Seal	TC 20×32×2.5mm	1
79	EBL1236VS-A79	Collar	Ø30*Ø20*16W key 7*3.5	1
80	EBL1236VS-A80	Gear	1.75M 35/45T	1
81	EBL1236VS-A81	O-Ring	20×25×2.5mm	1
82	EBL1236VS-A82	Shaft	Ø25*85L	1
83	EBL1236VS-A83	Gear	1.75M 35/45T	1
84	EBL1236VS-A84	Collar	Ø28*Ø20*3W	1

GEARBOX ASSEMBLY



GEARBOX ASSEMBLY

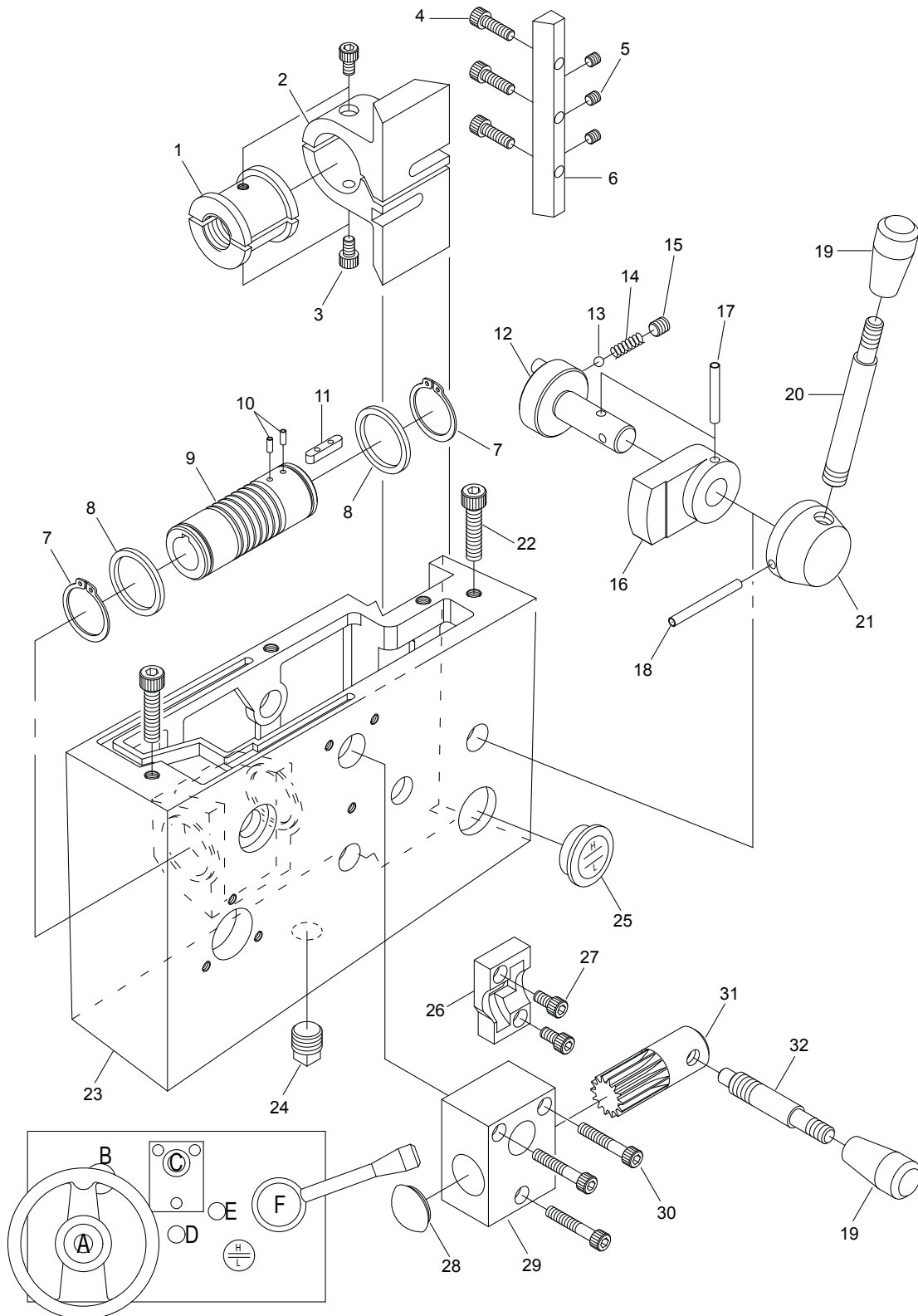


GEARBOX ASSEMBLY PARTS LIST

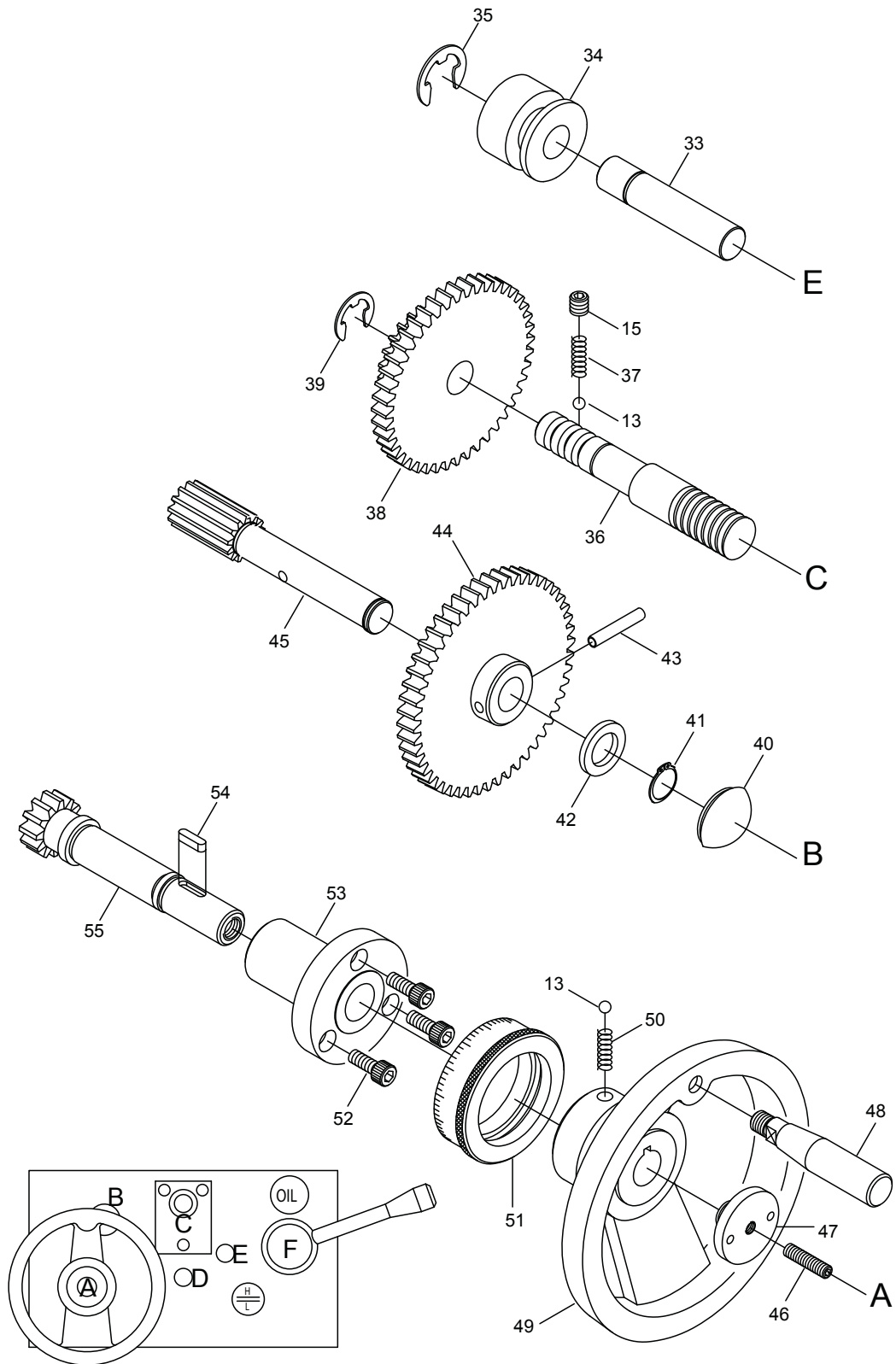
Index No.	Parts No.	Description	Size	Qty.
1	EBL1236VS-B01	Gear Box		1
2	EBL1236VS-B02	Gasket For Gearbox 42001		1
3	EBL1236VS-B03	Gear Box Cover		1
4	EBL1236VS-B04	Gasket For Gearbox Cover42002		1
5	EBL1236VS-B05	Index Plate		3
6	TS-1524011	Set Screw	M8x8L	3
7	EBL1236VS-B07	Spring	1/4 in × 27mm	3
8	SB-1/4	Ball Steel	1/4 in. dia	3
9	EBL1236VS-B09	Handle	Ø45*35L	2
10	EBL1236VS-B10	Lever		2
11	EBL1236VS-B11	Handle		2
12	EBL1236VS-B12	Pin	Ø5×40mm	2
13	EBL1236VS-B13	Lever		2
14	EBL1236VS-B14	Oil Seal	TC 16×26×7mm	2
15	EBL1236VS-B15	Shift Lever		2
16	EBL1236VS-B16	Shift Fork		1
17	EBL1236VS-B17	Shift Fork		1
18	EBL1236VS-B18	Gear Box Plate		1
19	TS-1503061	Socket Head Cap Screw	M6×25mm	8
20	TS-1504131	Socket Head Cap Screw	M8X70mm	3
21	EBL1236VS-B21	Oil Sight	1-1/8 in.(28mm.)	1
22	EBL1236VS-B22	Oil Seal	TC 22×35×7mm	1
23	TS-1503041	Socket Head Cap Screw	M6X16mm	11
24	EBL1236VS-B24	Cover		1
25	EBL1236VS-B25	Gasket For 42012		1
26	BB-6003	Bearing	No.6003	3
27	EBL1236VS-B27	Circlip	S-16mm	1
28	EBL1236VS-B28	Collar		1
29	EBL1236VS-B29	Shift		1
30	EBL1236VS-B30	Key	5×55mm	1
31	EBL1236VS-B31	Gear	2M 32T	1
32	EBL1236VS-B32	Gear	2M 16T	1
33	EBL1236VS-B33	Collar		1
34	EBL1236VS-B34	Gear	2M 24T	1
35	EBL1236VS-B35	Collar	LFB-1615	1
36	EBL1236VS-B36	Gear	2M 30T	1
37	EBL1236VS-B37	Gear	2.75M 20T	1
38	EBL1236VS-B38	Gear	2.75M 18T	1
39	EBL1236VS-B39	Gear	2.75M 16T	1
40	EBL1236VS-B40	Gear	2.25M 28T	1

Index No.	Parts No.	Description	Size	Qty.
41	EBL1236VS-B41	Gear	2M 16T	1
42	EBL1236VS-B42	Nut		2
43	BB-51104	Thrust Bearing	No.51104	2
44	EBL1236VS-B44	Collar	LFB-2010	1
45	EBL1236VS-B45	Gasket For 42045		1
46	EBL1236VS-B46	Cover		1
47	EBL1236VS-B47	Key	5×70mm	1
48	EBL1236VS-B48	Gear		1
49	EBL1236VS-B49	Shaft		1
50	EBL1236VS-B50	Shaft		1
51	EBL1236VS-B51	Clutch		1
52	EBL1236VS-B52	Handle		1
53	EBL1236VS-B53	Cover		1
54	EBL1236VS-B54	Gasket For 2205		1
55	EBL1236VS-B55	Gear	2M 2T	1
56	EBL1236VS-B56	Key	5×15mm	1
57	EBL1236VS-B57	Gear	2M 40T	1
58	EBL1236VS-B58	Gear	2M 30T	1
59	EBL1236VS-B59	Circlip	S-30	2
60	EBL1236VS-B60	Shaft		1
61	EBL1236VS-B61	Gear	2M 25T	1
62	EBL1236VS-B62	Gear	2.75M 20T	1
63	EBL1236VS-B63	Gear	2.25M 20T	1
64	EBL1236VS-B64	Key	5×20mm	1
65	EBL1236VS-B65	Circlip	S-20mm	1
66	EBL1236VS-B66	Gear	2M 38T	1
67	EBL1236VS-B67	Gasket For 42032		1
68	EBL1236VS-B68	Collar	LFB-2020	1
69	EBL1236VS-B69	Cover		1
70	EBL1236VS-B70	Oil Seal	TC 20x30x8mm	1
71	EBL1236VS-B71	Collar	LFB-1208	1
72	EBL1236VS-B72	Key	5×12mm	1
73	EBL1236VS-B73	Shaft		1

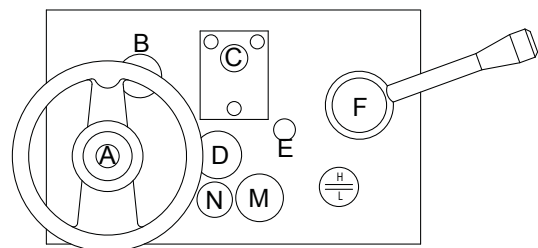
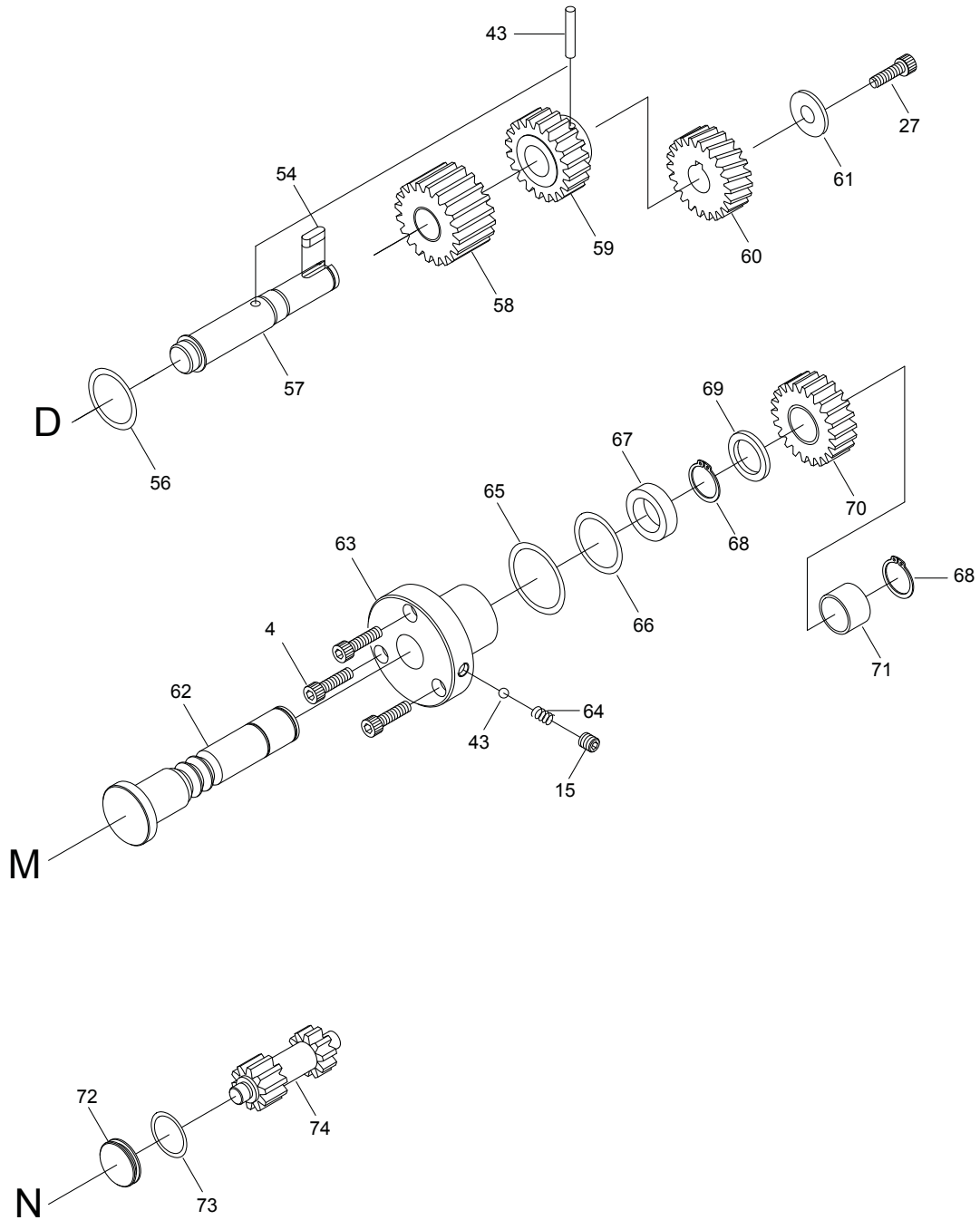
APRON ASSEMBLY (CASTING)



APRON ASSEMBLY (CASTING)



APRON ASSEMBLY (CASTING)



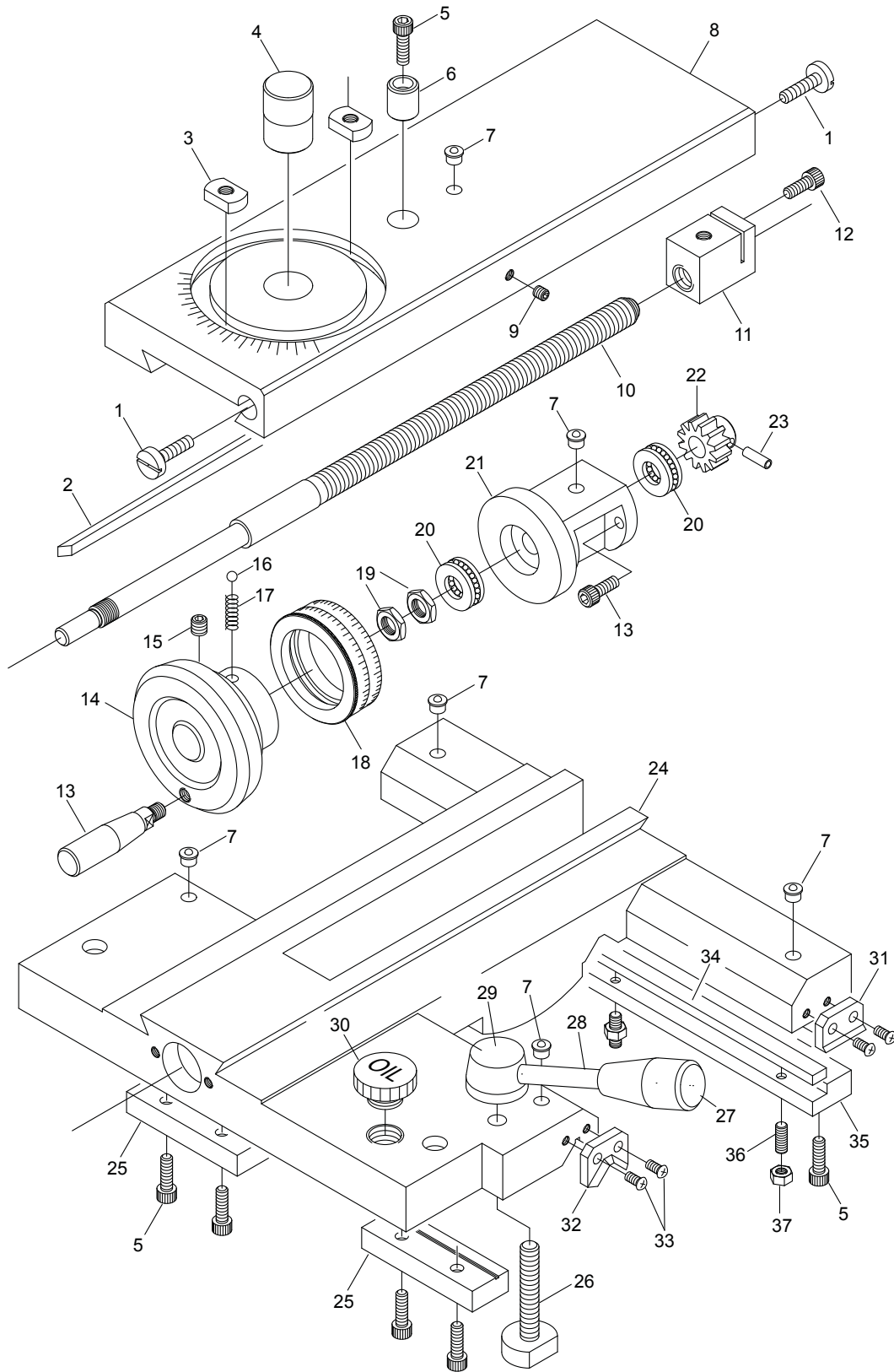


APRON ASSEMBLY (CASTING) PARTS LIST

Index No.	Parts No.	Description	Size	Qty.
1	EBL1236VS-C01	Walnut	8TPI	1
2	EBL1236VS-C02	Walnut Bracket	105L*50W*71h	1
3	TS-1503021	Socket Head Cap Screw	M6×10mm	2
4	TS-1503051	Socket Head Cap Screw	M6×20mm	6
5	TS-1523031	Set Screw	M6×10mm	3
6	EBL1236VS-C06	Gib	13.8W*10H*125L	1
7	EBL1236VS-C07	Circlip	S-30mm	2
8	EBL1236VS-C08	Collar	Ø38.1*Ø31*3t	2
9	EBL1236VS-C09	Worm	Ø19.05*Ø31*841L	1
10	EBL1236VS-C10	Pin	3×8 mm	2
	EBL1236VS-C08A	Collar Assembly (Including #8~10)		1
11	EBL1236VS-C11	Key	5×25mm	1
12	EBL1236VS-C12	Shaft	Ø39.9*61L	1
13	SB-1/4	Ball Steel	1/4 in. dia	4
14	EBL1236VS-C14	Spring	1/4 in × 25mm	1
15	TS-1524011	Set Screw	M8×8mm	3
16	EBL1236VS-C16	Lever	62L*36W*17H	1
17	EBL1236VS-C17	Pin	Ø5×36mm	1
18	EBL1236VS-C18	Pin	Ø5×60mm	1
19	EBL1236VS-C19	Handle		2
20	EBL1236VS-C20	Lever	Ø1/2"*107L	1
21	EBL1236VS-C21	Handle	Ø50*30L Ø16	1
22	TS-1504071	Socket Head Cap Screw	M8×35mm	2
23	EBL1236VS-C23	Apron	276L*78W*172H	1
24	EBL1236VS-C24	Plug	3/8 G.P	1
25	EBL1236VS-C25	Oil Sight	3/4 in. (19mm.)	1
26	EBL1236VS-C26	Cam	50*30*12H	1
27	TS-1503031	Socket Head Cap Screw	M6×12mm	2
28	EBL1236VS-C28	Plug	Ø28*8W	1
29	EBL1236VS-C29	Keep Assy	65L*50W*35H	1
30	TS-1503081	Socket Head Cap Screw	M6×35mm	3
31	EBL1236VS-C31	Gear Shaft	Ø24*67L	1
32	EBL1236VS-C32	Lever	Ø1/2"*80L	1
33	EBL1236VS-C33	Shaft	Ø16*77L	1
34	EBL1236VS-C34	Collar	Ø38*Ø16*30L	1
35	EBL1236VS-C35	Circlip	E-15mm	1
36	EBL1236VS-C36	Shaft	Ø20*122L	1
37	EBL1236VS-C37	Spring	1/4 in × 20mm	1
38	EBL1236VS-C38	Gear	2M 22/44T	1
39	EBL1236VS-C39	Circlip	E-12mm	1

Index No.	Parts No.	Description	Size	Qty.
40	EBL1236VS-C40	Plug	Ø28*8W	1
41	EBL1236VS-C41	Circlip	S-16mm	1
42	EBL1236VS-C42	Collar	Ø25.4*Ø16*3W	1
43	EBL1236VS-C43	Pin	Ø5×30mm	3
44	EBL1236VS-C44	Gear	2M 50T	1
45	EBL1236VS-C45	Rack Pinion	Ø22.5*120L	1
46	TS-1523071	Set Screw	M6×25mm	1
47	EBL1236VS-C47	Plug	35*15L ØM6 TAP	1
48	EBL1236VS-C48	Handle	Ø5/8"*77L	1
49	EBL1236VS-C49	Hand Wheel	Ø140*68H Ø17	1
50	EBL1236VS-C50	Spring	1/4 in.× 8mm	2
51	EBL1236VS-C51	Index Ring	Ø63*Ø45*20W	1
52	TS-1503041	Socket Head Cap Screw	M6×16mm	3
53	EBL1236VS-C53	Keep Ass'y	Ø60*Ø18*57L	1
54	EBL1236VS-C54	Key	4×15mm	2
55	EBL1236VS-C55	Shaft	Ø28*108L key4*2	1
56	EBL1236VS-C56	O-Ring	P14	1
57	EBL1236VS-C57	Shaft		1
58	EBL1236VS-C58	Gear		1
59	EBL1236VS-C59	Gear		1
60	EBL1236VS-C60	Worm Gear	Ø30*Ø14*23L	1
61	EBL1236VS-C61	Washer	Ø25*Ø1/4"*3t	1
62	EBL1236VS-C62	Shaft		1
63	EBL1236VS-C63	Keep Ass'y		1
64	EBL1236VS-C64	Spring	1/4 in.× 10mm	1
65	EBL1236VS-C65	O-Ring	3.5x34.7x41.7	1
66	EBL1236VS-C66	O-Ring	3.5x28.7x35.7	1
67	EBL1236VS-C67	Oil Seal	TC 20x30x8mm	1
68	EBL1236VS-C68	Circlip	S-20mm	2
69	EBL1236VS-C69	Collar		1
70	EBL1236VS-C70	Gear		1
71	EBL1236VS-C71	Collar	LFB-2012	1
72	EBL1236VS-C72	Plug		1
73	EBL1236VS-C73	O-Ring	Ø2.4xØ21.8xØ26.6	1
74	EBL1236VS-C74	Gear Shaft		1

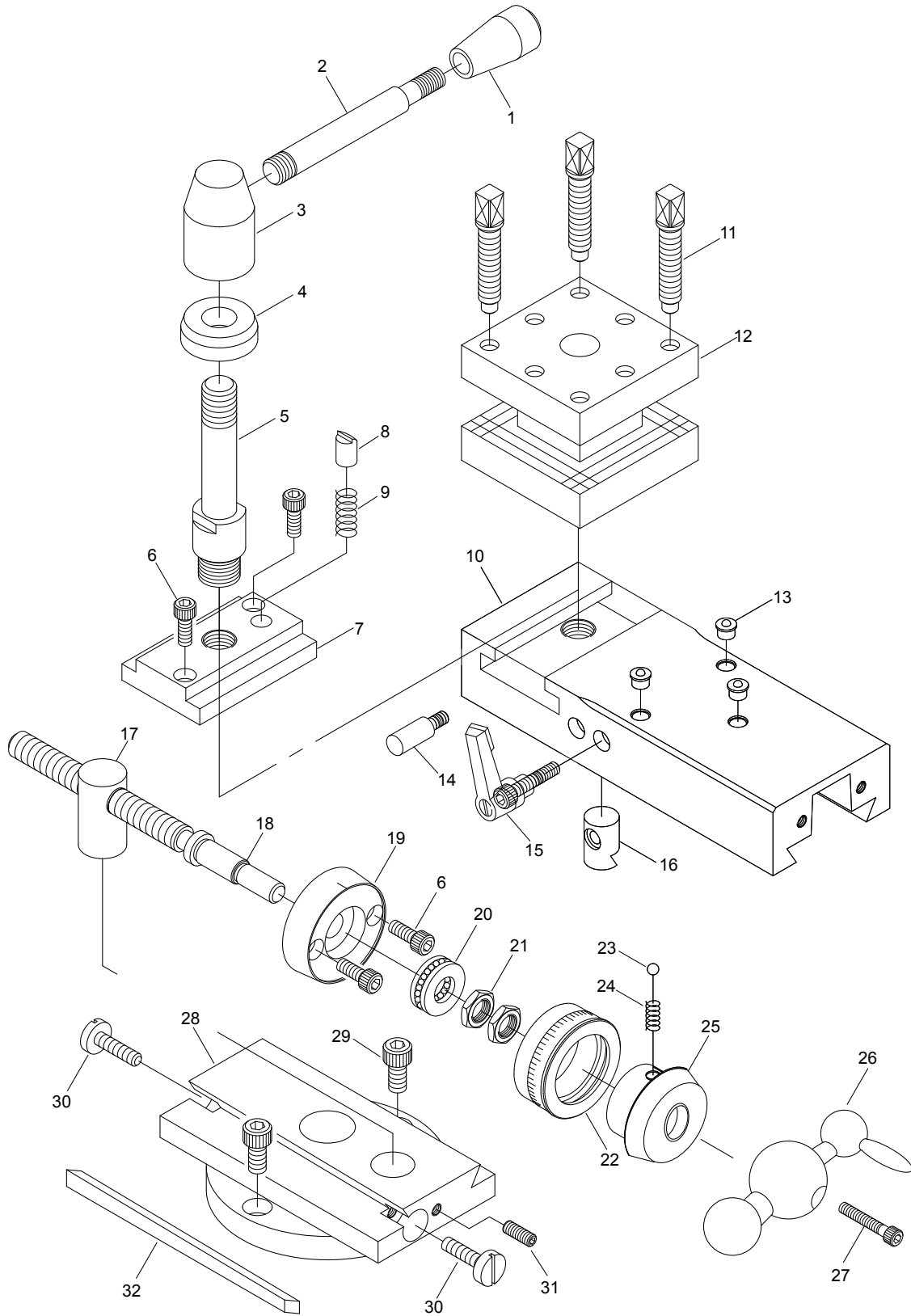
CARRIAGE ASSEMBLY



CARRIAGE ASSEMBLY PARTS LIST

Index No.	Parts No.	Description	Size	Qty.
1	EBL1236VS-D01	Gib Screw	Ø5/8"*30L	2
2	EBL1236VS-D02	Gib	15*22*410 355L	1
3	EBL1236VS-D03	Nut	Ø7/8"*14W*6.5T	2
4	EBL1236VS-D04	Pirot	Ø25.4*35L	1
5	TS-1503051	Socket Head Cap Screw	M6×20mm	8
6	EBL1236VS-D06	Collar	Ø16*18.5L	1
7	EBL1236VS-D07	Oiler	5/16 in	2
8	EBL1236VS-D08	Cross Slide Cover	115W*355L*29H	1
9	TS-1523011	Set Screw	M6×6mm	1
10	EBL1236VS-D10	Screw	Ø5/8"*404L	1
11	EBL1236VS-D11	Nut	24W*40L*29H	1
12	TS-1503041	Socket Head Cap Screw	M6×16mm	1
	EBL1236VS-D10A	Screw Assembly (Including #10~12)		1
13	EBL1236VS-D13	Handle	Ø5/8"*68L	1
14	EBL1236VS-D14	Hand Wheel	Ø85*45L Ø10	1
15	TS-1524011	Set Screw	M8×8mm	1
16	SB-1/4	Ball Steel	1/4 in. dia	3
17	EBL1236VS-D17	Spring	1/4 in.× 8mm	1
18	EBL1236VS-D18	Index Ring	Ø61.5~Ø60 Ø45*200L	1
19	TS-1540081	Nut	M12*PC1.25 4T	2
20	BB-51101	Thrust Bearing	No.51101	2
21	EBL1236VS-D21	Keep Ass'y	Ø60*Ø12*66L	1
22	EBL1236VS-D22	Gear	Ø27.9*Ø12*20L	1
23	EBL1236VS-D23	Pin	Ø5×16mm	1
24	EBL1236VS-D24	Saddle Casting	295W*307L	1
25	EBL1236VS-D25	Strip	80L*26W*13T	2
26	EBL1236VS-D26	Set Screw	Ø9/8"*67L	1
27	EBL1236VS-D27	Handle	3/8 in.	1
28	EBL1236VS-D28	Lever		1
29	EBL1236VS-D29	Handle		1
30	EBL1236VS-D30	Plug	3/4 in.(P.V.C)	1
31	EBL1236VS-D31	Wiper		2
32	EBL1236VS-D32	Wiper		2
33	EBL1236VS-D33	Screw	3/16×3/8 in	13
34	EBL1236VS-D34	Gib	295L*10W*6T	1
35	EBL1236VS-D35	Strip	295L*28W*15h	1
36	TS-1523051	Set Screw	M6×16mm	3
37	TS-1540041	Nut	M6	3

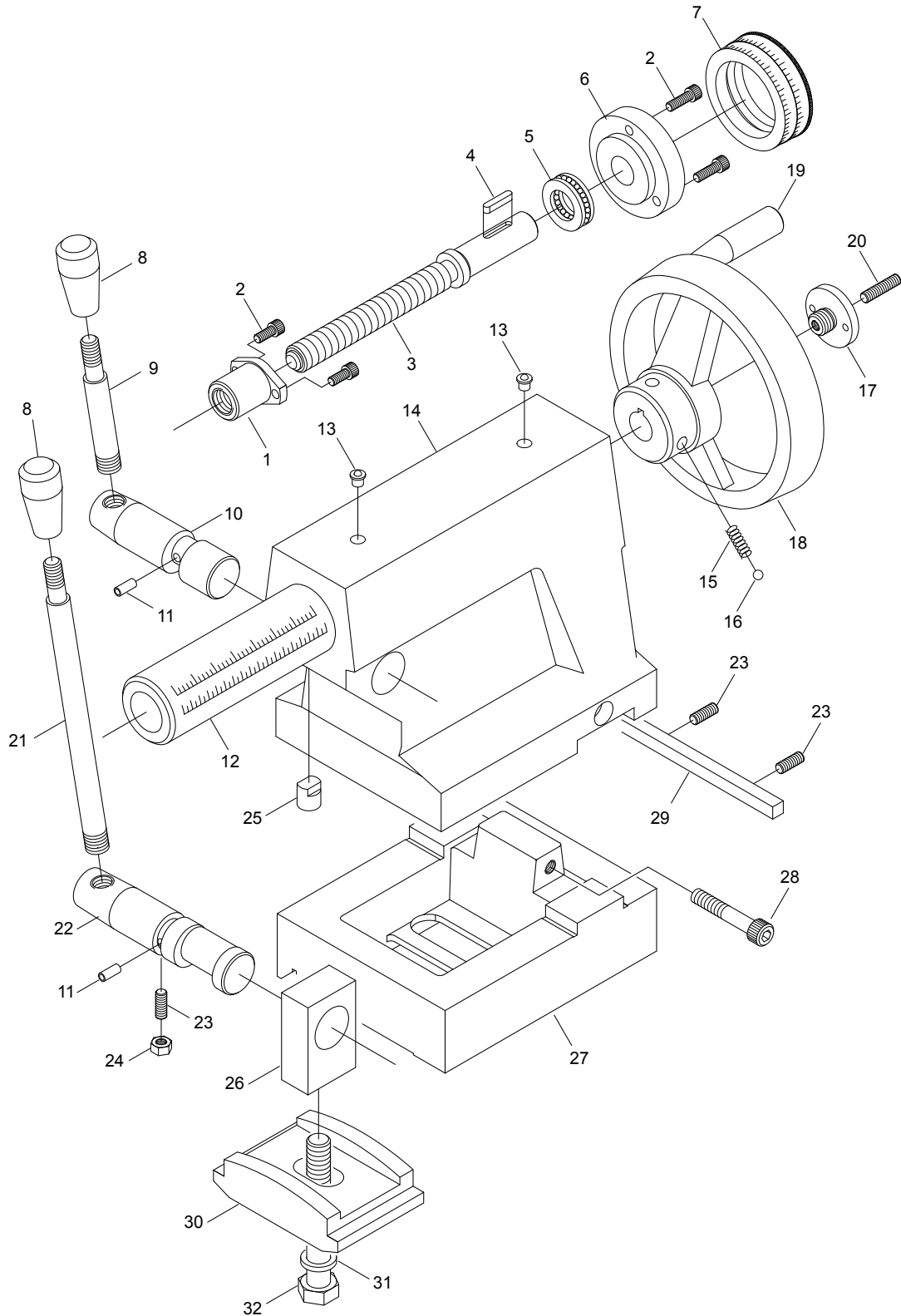
TOOLPOST ASSEMBLY



TOOLPOST ASSEMBLY PARTS LIST

Index No.	Parts No.	Description	Size	Qty.
1	EBL1236VS-E01	Handle	3/8 in.	1
2	EBL1236VS-E02	Lever	Ø1/2"*107L	1
3	EBL1236VS-E03	Tool Post	~12" 62H	1
4	EBL1236VS-E04	Washer	Ø35*Ø16*12h	1
5	EBL1236VS-E05	Bolt	Ø24*106.5L	1
6	TS-1503041	Socket Head Cap Screw	M6×16mm	4
7	EBL1236VS-E07	T Nut		1
8	EBL1236VS-E08	Pad	Ø3/8"*15L	1
9	EBL1236VS-E09	Spring	3/8 in × 20mm	1
10	EBL1236VS-E10	Top Slide	200L*75W*37W	1
11	EBL1236VS-E11	Screw	Ø12.7*65	8
12	EBL1236VS-E12	Tool Post		1
13	EBL1236VS-E13	Oiler	5/16 in	3
14	EBL1236VS-E14	Pin		1
15	EBL1236VS-E15	Handle		1
16	EBL1236VS-E16	Pad	Ø16*24L	1
17	EBL1236VS-E17	Nut	Ø20*40L	1
18	EBL1236VS-E18	Screw	Ø15.8*170L	1
	EBL1236VS-E17A	Nut Assembly (Including #17~18)		1
19	EBL1236VS-E19	Keep Ass'y	Ø52.5*Ø12*15L	1
20	BB-51101	Thrust	No.51101	2
21	TS-1540083	Nut	M12*PC1.25 4T	2
22	EBL1236VS-E22	Index Ring	Ø49.5~Ø48*Ø20L	1
23	SB-1/4	Ball Steel	1/4 in. dia	1
24	EBL1236VS-E24	Spring	1/4 in.× 8mm	1
25	EBL1236VS-E25	Keep Ass'y		1
26	EBL1236VS-E26	Three Ball Handle		1
27	TS-1503071	Socket Head Cap Screw	M6×30mm	1
28	EBL1236VS-E28	Swiveled Slide	11" 26 12"35 13"43	1
29	TS-1504031	Socket Head Cap Screw	M8×16mm	2
30	EBL1236VS-E30	Gib Screw	5/8"*30L	2
31	TS-1523051	Set Screw	M6×16mm	1
32	EBL1236VS-E32	Gib	140L 12*20*190	1

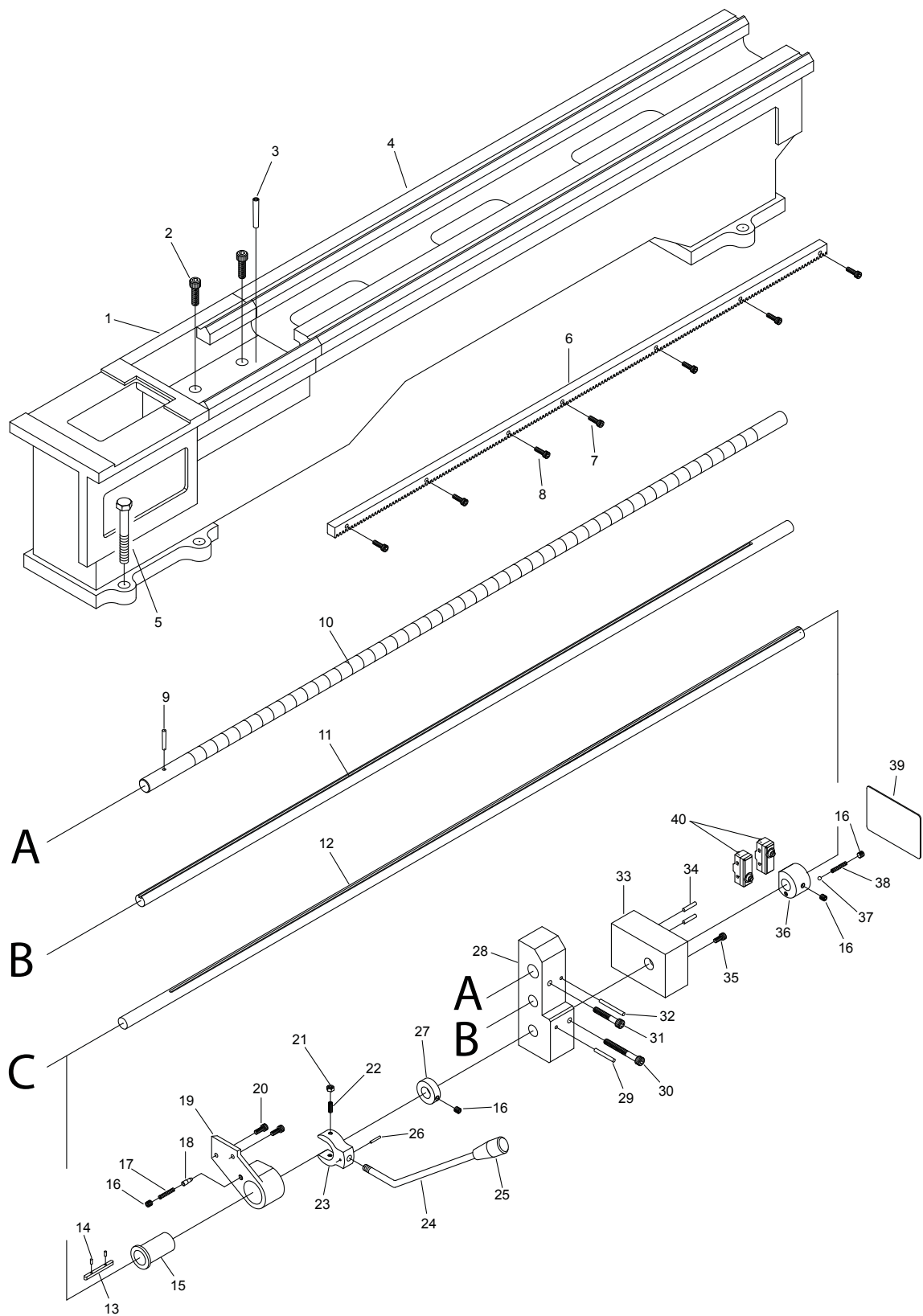
TAILSTOCK ASSEMBLY



TAILSTOCK ASSEMBLY PARTS LIST

Index No.	Parts No.	Description	Size	Qty.
1	EBL1236VS-F01	Nut	30L	1
2	TS-1502041	Socket Head Cap Screw	M5×16mm	4
3	EBL1236VS-F03	Screw	Ø20.5*179L	1
	EBL1236VS-F01A	Nut Assembly (Including #1~3)		1
4	EBL1236VS-F04	Key	4×20mm	1
5	BB-51102	Thrust	No.51102	1
6	EBL1236VS-F06	Keep Ass'y	Ø17*Ø60*17L	1
7	EBL1236VS-F07	Index Ring	Ø61.5~Ø60*Ø45*20W	1
8	EBL1236VS-F08	Handle	3/8 in.	1
9	EBL1236VS-F09	Lever		1
10	EBL1236VS-F10	Shaft	Ø25*Ø16*91L	1
11	EBL1236VS-F11	Pin	Ø5×12mm	1
12	EBL1236VS-F12	Barrel	2 Ø40*190L	1
13	EBL1236VS-F13	Oiler	5/16 in	2
14	EBL1236VS-F14	Tall stock Casting	2 Ø40 125h	1
15	EBL1236VS-F15	Spring	1/4 in × 20mm	2
16	SB-1/4	Ball Steel	1/4 in. dia	2
17	EBL1236VS-F17	Screw	Ø35*16L	1
18	EBL1236VS-F18	Handle Wheel	Ø140*68h	1
19	EBL1236VS-F19	Handle	Ø5/8**77L	1
20	TS-1523071	Set Screw	M6×25mm	1
21	EBL1236VS-F21	Lever	Ø1/2**190	1
22	EBL1236VS-F22	Shaft	Ø25*Ø18*114L	1
23	TS-1523051	Set Screw	M6×16mm	1
24	TS-1540041	Nut	M6	1
25	EBL1236VS-F25	Pad	2 Ø1/2**14L	1
26	EBL1236VS-F26	Pirot Block	36L*20W*57H	1
27	EBL1236VS-F27	Base	~1 28h	1
28	TS-1504091	Socket Head Cap Screw	M8×45mm	2
29	EBL1236VS-F29	Gib	8*8*125	1
30	EBL1236VS-F30	Clamp Plate	65W*94L*28H	1
31	TS-0680061	Washer	1/2 in	1
32	TS-0070051	Cap Screw	1/2×2 in	1

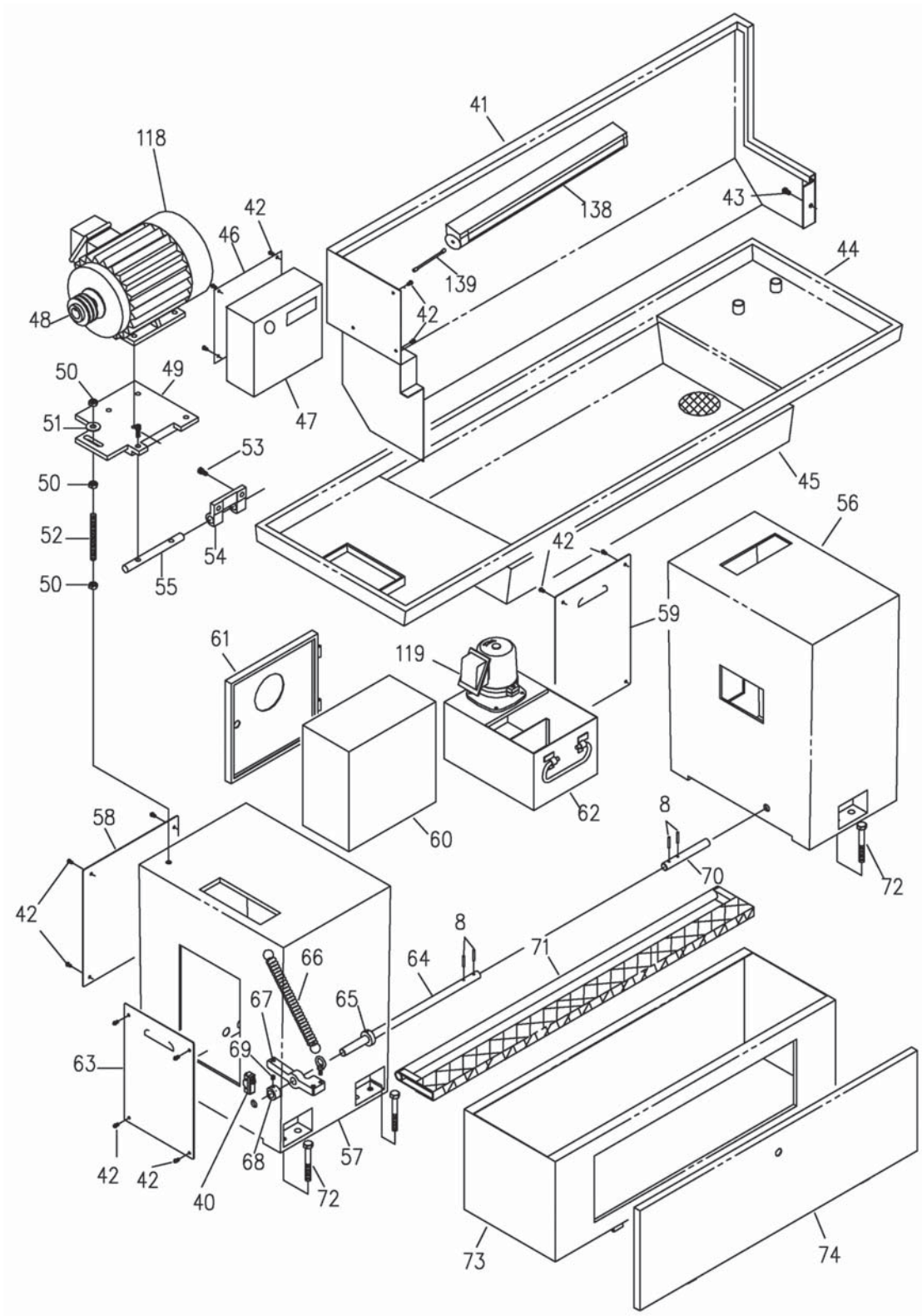
BED ASSEMBLY



BED ASSEMBLY PARTS LIST

Index No.	Parts No.	Description	Size	Qty.
1	EBL1236VS-G01	Gap	240*190*70	1
2	TS-1505051	Socket Head Cap Screw	M10×35mm	2
3	EBL1236VS-G03	Taper Pin	Ø4×38mm	2
4	EBL1236VS-G04	Bed Casting	36"-1525	1
5	TS-0050031	Hex Cap Screw	1/2×1-3/4 in	6
6	EBL1236VS-G06	Rack	36" 990L	1
7	TS-1503051	Socket Head Cap Screw	M6×20mm	4
8	EBL1236VS-G08	Pin	Ø5×30mm	8
9	EBL1236VS-G09	Pin		1
10	EBL1236VS-G10	Lead screw	36" 1250L	1
11	EBL1236VS-G11	Feed Shaft	36" 1268L	1
12	EBL1236VS-G12	Third-Rod Shaft		1
13	EBL1236VS-G13	Key	5×60mm	1
14	EBL1236VS-G14	Pin	Ø3×8 mm	2
15	EBL1236VS-G15	Sleeve	Ø38*Ø19.05*60L	1
16	TS-1524011	Set Screw	M8×8mm	3
17	EBL1236VS-G17	Spring	1/4 in × 35mm	1
18	EBL1236VS-G18	Pin	Ø6.3*19L	1
19	EBL1236VS-G19	Bracket	Ø54	1
20	TS-1503041	Socket Head Cap Screw	M6×16mm	2
21	TS-1540041	Nut	M6	2
22	TS-1523051	Set Screw	M6×16mm	2
23	EBL1236VS-G23	Fork	Ø51*20	1
24	EBL1236VS-G24	Lever	Ø3/8" *220L	1
25	EBL1236VS-G25	Handle	3/8 in.	1
26	EBL1236VS-G26	Pin	Ø3×20mm	1
27	EBL1236VS-G27	Collar	Ø38*Ø19.05**12L	1
28	EBL1236VS-G28	Base		1
29	EBL1236VS-G29	Pin	Ø5×40mm	1
30	TS-1504131	Socket Head Cap Screw	M8×70mm	1
31	TS-1504101	Socket Head Cap Screw	M8×50mm	1
32	EBL1236VS-G32	Pin	Ø5×50mm	1
33	EBL1236VS-G33	Box	115L*80W*48h	1
34	EBL1236VS-G34	Pin	Ø5×35mm	2
35	TS-1503031	Socket Head Cap Screw	M6×12mm	1
36	EBL1236VS-G36	Collar	Ø44*Ø19.5*30W	1
37	SB-1/4	Ball Steel	1/4 in. dia	1
38	EBL1236VS-G38	Spring	1/4 in × 30mm	1
39	EBL1236VS-G39	Cover		1
40	EBL1236VS-G40	Limit Switch		2

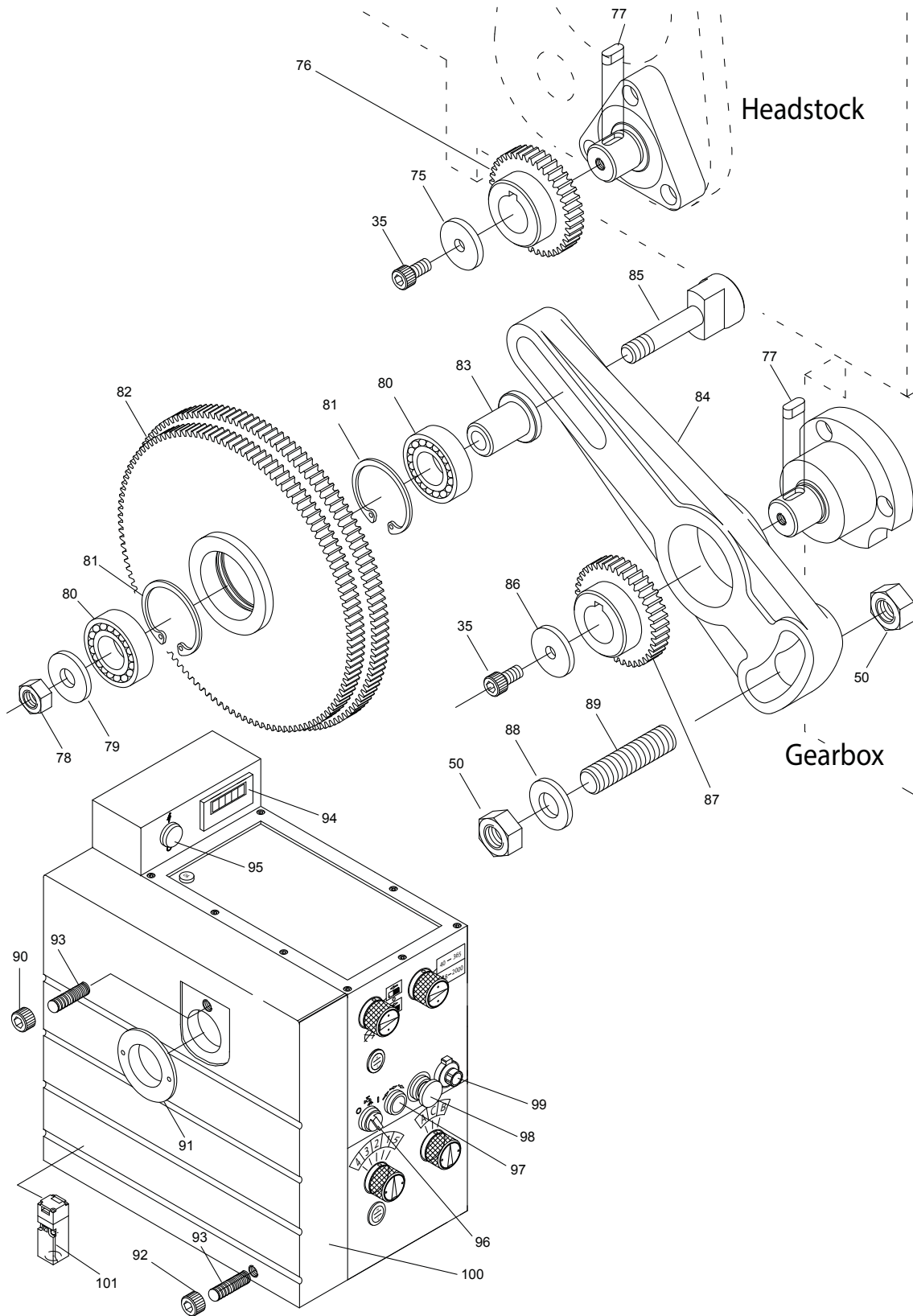
CABINET AND PANEL ASSEMBLY



CABINET AND PANEL ASSEMBLY PARTS LIST

Index No.	Parts No.	Description	Size	Qty.
41	EBL1236VS-G41	Splash Guard		1
42	TS-0254011	Screw	1/4×3/8 in	19
43	EBL1236VS-G43	Cap Screw	1/4x1-1/4 in	1
44	EBL1236VS-G44	Chip Pan		1
45	EBL1236VS-G45	Chip Tray		1
46	EBL1236VS-G46	Guard		1
47	EBL1236VS-G47	Cover		1
48	EBL1236VS-G48	Pulley		1
49	EBL1236VS-G49	Motor Platform	275*220W*1/2"T(12.7mm)	1
50	TS-0561051	Nut	1/2 in	3
51	TS-0680061	Washer	1/2 in	1
52	TS-0273121	Socket Hex Set Screw	1/2×3 in	1
53	TS-1504041	Socket Head Cap Screw	M8×20mm	2
54	EBL1236VS-G54	Bracket	109L*65W	1
55	EBL1236VS-G55	Shaft	Ø3/4"*170L	1
56	EBL1236VS-G56	Floor Stand	500W*300L*620H	1
57	EBL1236VS-G57	Floor Stand	437L*368W*15H	1
58	EBL1236VS-G58	Cover	350L*330W*1.6T	1
59	EBL1236VS-G59	Cover	390L*260W*1.6T	1
60	EBL1236VS-G60	Electric Box	300*300*178 1.2T	1
61	EBL1236VS-G61	Cover	300*300*20*1.2T	1
	EBL1236VS-G60A	Electric Box Assembly (Including #60~61)		1
62	EBL1236VS-G62	Coolant Tank	310L*220W*170H	1
63	EBL1236VS-G63	Cover	350L*240W*1.6T	1
64	EBL1236VS-G64	Shaft		1
65	EBL1236VS-G65	Collar		1
66	EBL1236VS-G66	Spring		1
67	EBL1236VS-G67	Bolt		1
68	EBL1236VS-G68	Collar		1
69	TS-1524011	Set Screw	M8x8mm	1
70	EBL1236VS-G70	Shaft		1
71	EBL1236VS-G71	Brake Pad		1
72	TS-0100041	Cap Screw	1/2×1/4 in	6
73	EBL1236VS-G73	Cabinet		1
74	EBL1236VS-G74	Front Cover		1
	EBL1236VS-G73A	Cabinet Assembly (In- cluding #73~74)		1
118	EBL1236VS-G118	Main motor	2HP 1PH 115/230V	1
119	EBL1236VS-G119	Pump		1
138	EBL1236VS-G138	Work lamp	AC24V 9W 0.5m/500Lux	1
139	EBL1236VS-G139	Piple	115mm	1

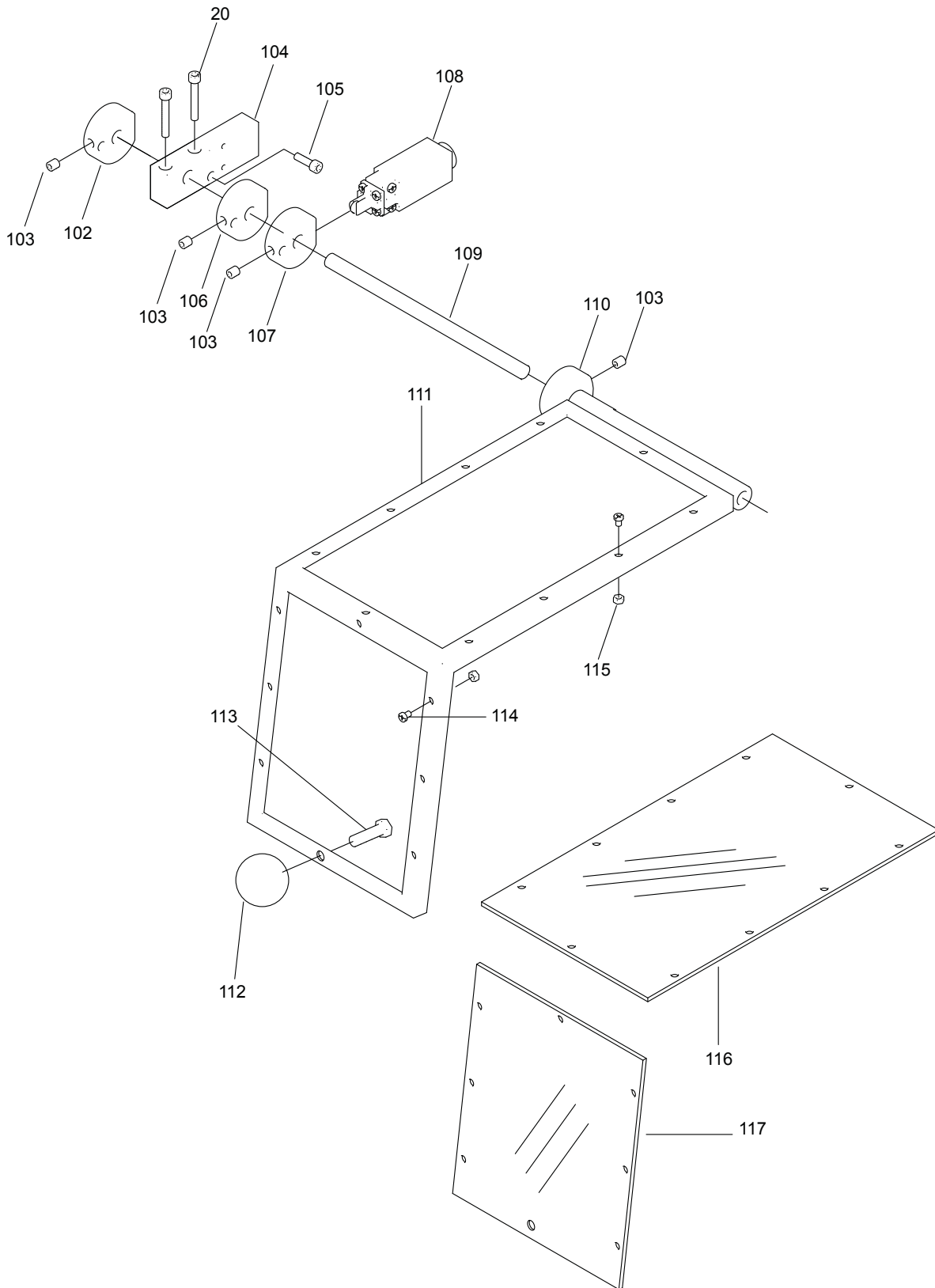
END GEAR ASSEMBLY



END GEAR ASSEMBLY PARTS LIST

Index No.	Parts No.	Description	Size	Qty.
35	TS-1503031	Socket Head Cap Screw	M6×12mm	2
50	TS-0561051	Nut	1/2 in	2
75	EBL1236VS-G75	Washer	Ø25*Ø1/4"*3T	2
76	EBL1236VS-G76	Change Gear		1
77	EBL1236VS-G77	Key	5×12mm	2
78	TS-0561031	Nut	3/8 in	1
79	EBL1236VS-G79	Washer	Ø25*Ø3/8"*2T	1
80	BB-6003Z	Bearing	No.6003Z	2
81	EBL1236VS-G81	Circlip	R-35mm	2
82	EBL1236VS-G82	Gear		1
83	EBL1236VS-G83	Shaft Collar	Ø25*Ø3/8"*29L	1
84	EBL1236VS-G84	Swing Frame		1
85	EBL1236VS-G85	Shaft	Ø25*65L	1
86	EBL1236VS-G86	Washer		1
87	EBL1236VS-G87	Change Gear		1
88	EBL1236VS-G88	Washer	Ø25*1/2"*3T	1
89	TS-0273101	Socket Hex Set Screw	1/2×2 in	1
90	EBL1236VS-G90	Nut		1
91	EBL1236VS-G91	Collar		1
92	EBL1236VS-G92	Nut		1
93	EBL1236VS-G93	Shaft		2
94	EBL1236VS-G94	RPM Speed Meter		1
95	EBL1236VS-G95	Pilot Light		1
96	EBL1236VS-G96	Coolant Selecting Switch		1
97	EBL1236VS-G97	Jogging Push Bottom Switch		1
98	EBL1236VS-G98	Emergency Stop Switch		1
99	EBL1236VS-G99	Variable Speed Selector		1
100	EBL1236VS-G100	Thread Chart Plate		1
101	EBL1236VS-G101	End Cover Limit Switch		1

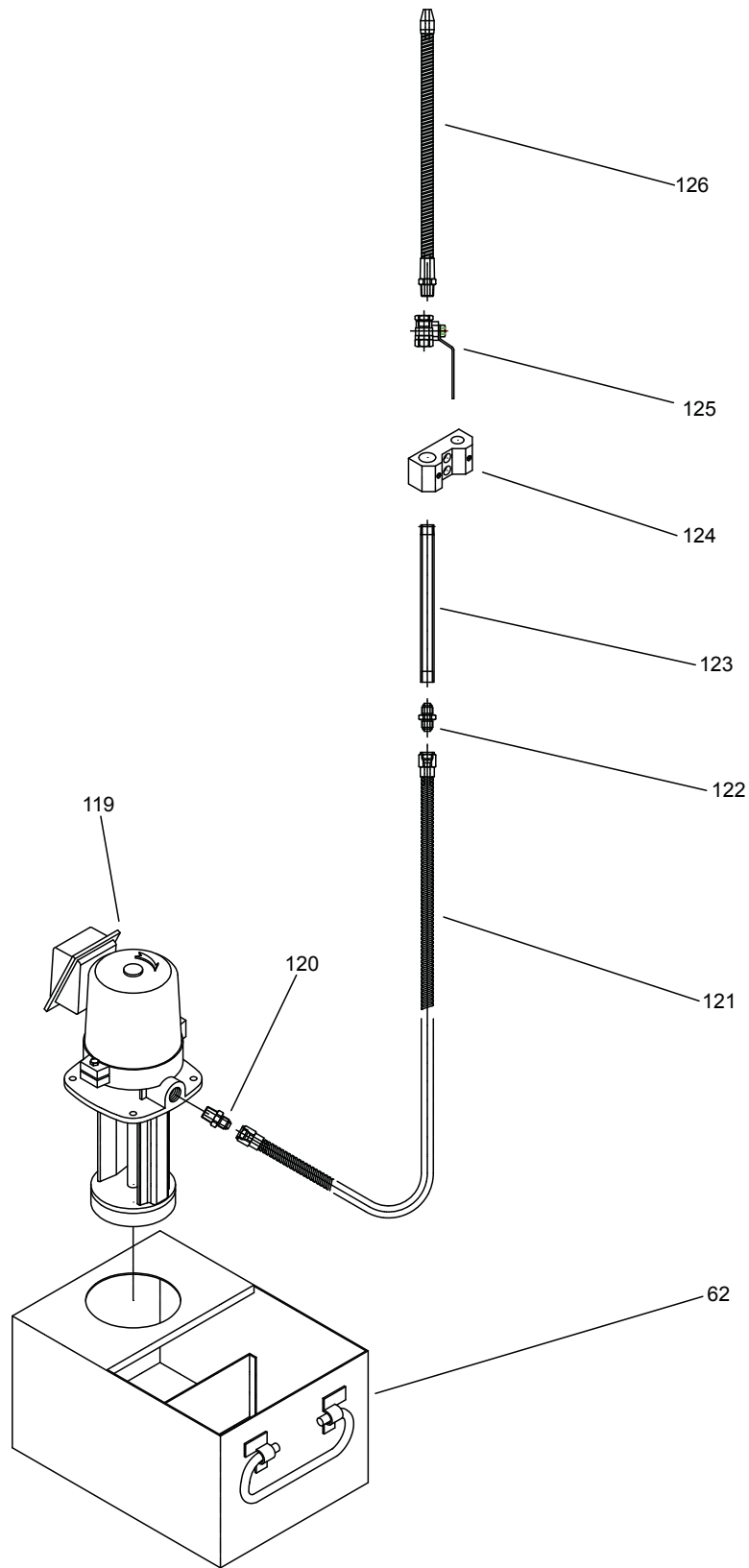
CHUCK SAFETY GUARD ASSEMBLY



CHUCK SAFETY GUARD ASSEMBLY PARTS LIST

Index No.	Parts No.	Description	Size	Qty.
20	TS-1503041	Socket Head Cap Screw	M6×16mm	2
102	EBL1236VS-G102	Cam		1
103	TS-1523021	Set Screw	M6×8mm	4
104	EBL1236VS-G104	Keep Assy		1
105	TS-1503021	Socket Head Cap Screw	M6×10mm	1
106	EBL1236VS-G106	Collar		1
107	EBL1236VS-G107	Cam		1
109	EBL1236VS-G109	Shaft		1
110	EBL1236VS-G110	Collar		1
111	EBL1236VS-G111	Chuck Guard		1
112	EBL1236VS-G112	Handle	PVC	1
113	TS-1505031	Socket Head Cap Screw	M10×25mm	1
114	EBL1236VS-G114	Screw	3/16×1/4 in	18
115	EBL1236VS-G115	Nut	3/16 in	18
116	EBL1236VS-G116	Window	3Tx193x343mm	1
117	EBL1236VS-G117	Window	3Tx193x230mm	1

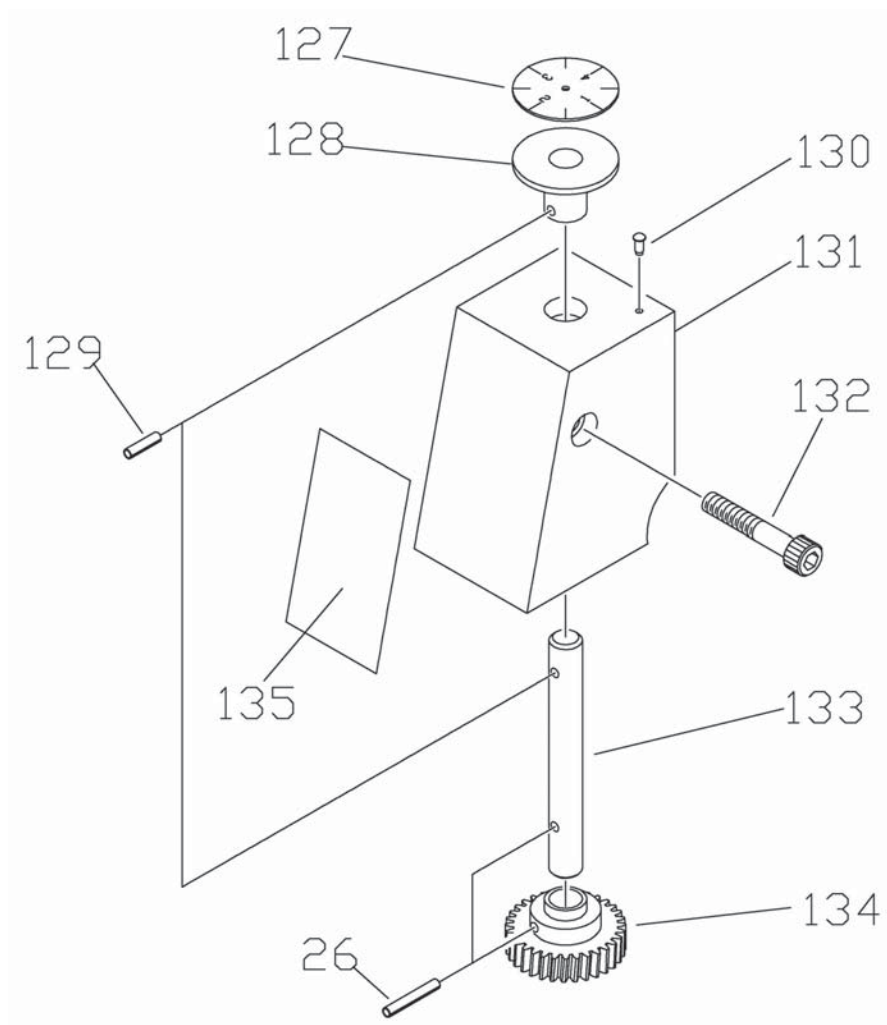
COOLANT PUMP ASSEMBLY



COOLANT PUMP ASSEMBLY PARTS LIST

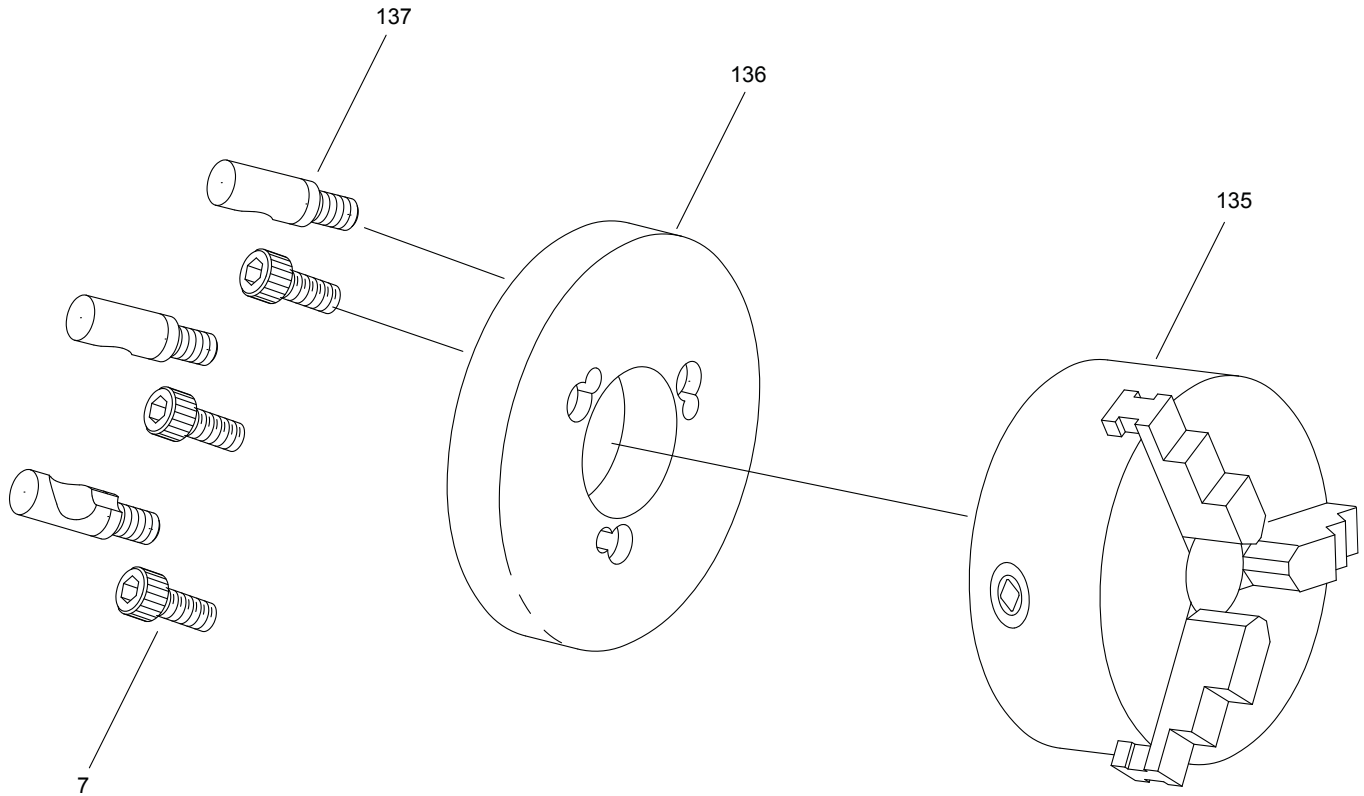
Index No.	Parts No.	Description	Size	Qty.
62	EBL1236VS-G62	Coolant Tank	310L*220W*170H	1
119	EBL1236VS-G119	Pump		1
120	EBL1236VS-G120	Nipple		1
121	EBL1236VS-G121	Flexible Hose		1
122	EBL1236VS-G122	Nipple		1
123	EBL1236VS-G123	Tube		1
124	EBL1236VS-G124	Bracket		1
125	EBL1236VS-G125	Value Gate		1
126	EBL1236VS-G126	Spraying Pipe		1

DIAL INDICATOR ASSEMBLY & PARTS LIST



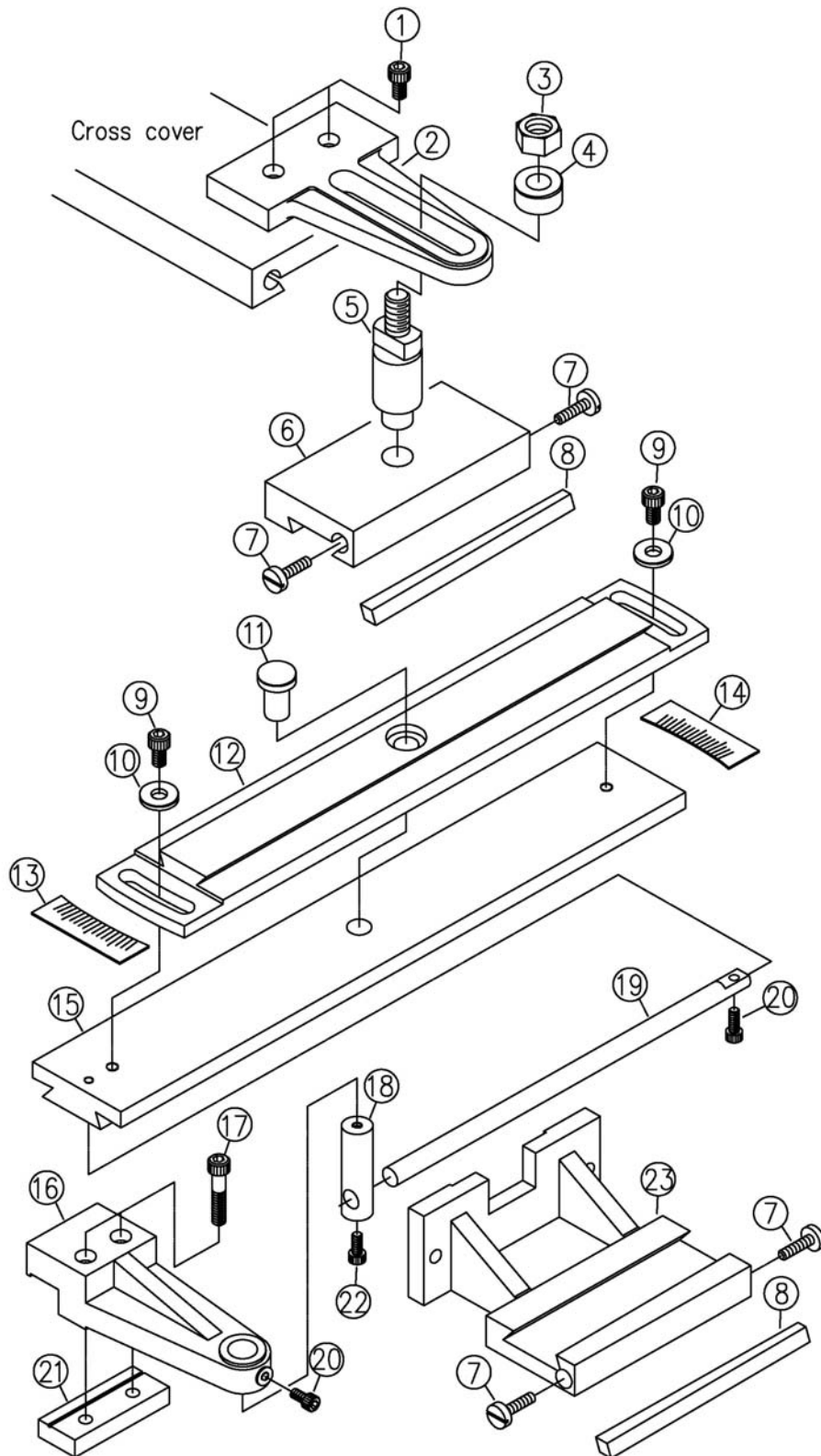
Index No.	Parts No.	Description	Size	Qty.
26	EBL1236VS-G26	Pin	Ø3×20mm	1
127	EBL1236VS-G127	Plate		1
128	EBL1236VS-G128	Dog	Ø60*Ø19.05*15W	1
129	EBL1236VS-G129	Pin	3*12 mm.	1
130	EBL1236VS-G130	Nail	2 mm.	1
131	EBL1236VS-G131	Guard	75*59*45	1
132	EBL1236VS-G132	Socket Head Cap Screw	M6*50mm	1
133	EBL1236VS-G133	Shaft	Ø9.5*81L	1
134	EBL1236VS-G134	Gear	Ø34Ø9.5*17L	1
135	EBL1236VS-G135	Threading Plate		1

CHUCK ASSEMBLY & PARTS LIST



Index No.	Parts No.	Description	Size	Qty.
7	TS-1503051	Socket Head Cap Screw	M6×20mm	3
135	EBL1236VS-SK6	Chuck	6"	1
136	EBL1236VS-G136	Backplate	6"	1
137	EBL1236VS-G137	Stud	D1-4	3

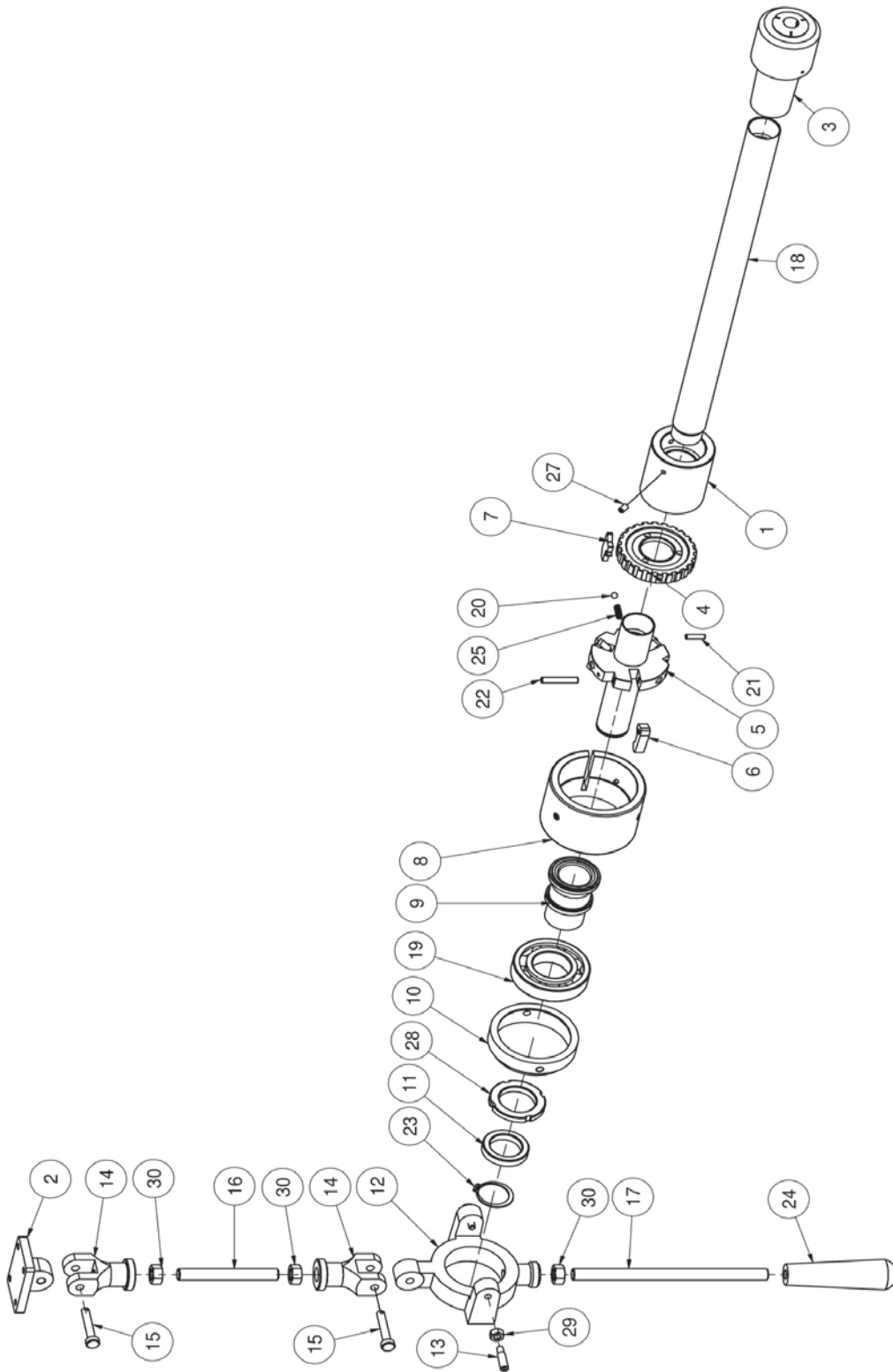
892005 TAPER ATTACHMENT (OPTIONAL)



892005 TAPER ATTACHMENT (OPTIONAL) PARTS LIST

Index No.	Parts No.	Description	Size	Qty.
1	TS-1504031	Socket Head Cap Screw	M8x16mm	1
2	E1236VS-J02	Trolley	160x110x16	1
3	TS-0561071	Nut	5/8"-11UNC	1
4	E1236VS-J04	Washer	Ø31x13	1
5	E1236VS-J05	Shaft	Ø5/8"(Ø20)x94L	1
6	E1236VS-J06	Slider	150x75x27	1
7	E1236VS-J07	Screw		4
8	E1236VS-J08	Gib	172x9.55x6.55	2
9	TS-1504041	Socket Head Cap Screw	M8x20mm	2
10	E1236VS-J10	Washer	Ø25x3	2
11	E1236VS-J11	Cover	Ø25(Ø16)x30L	1
12	E1236VS-J12	Base	380x75x22	1
13	E1236VS-J13	Angle Scale		1
14	E1236VS-J14	Angle Scale		1
15	E1236VS-J15	Base	480x75x22	1
16	E1236VS-J16	Bracket	172.5x60x40	1
17	TS-1504091	Socket Head Cap Screw	M8x45mm	1
18	E1236VS-J18	Shaft	Ø3/4"x65L	1
19	E1236VS-J19	Shaft	Ø1.2"x300L	1
20	TS-1503031	Socket Head Cap Screw	M6x12mm	2
21	E1236VS-J21	Clamping Block	80x31x13	1
22	TS-1503021	Socket Head Cap Screw	M6x10mm	1
23	E1236VS-J23	Base	145x150x71	1
	892005	Taper Attachment (#1 thru 23)		

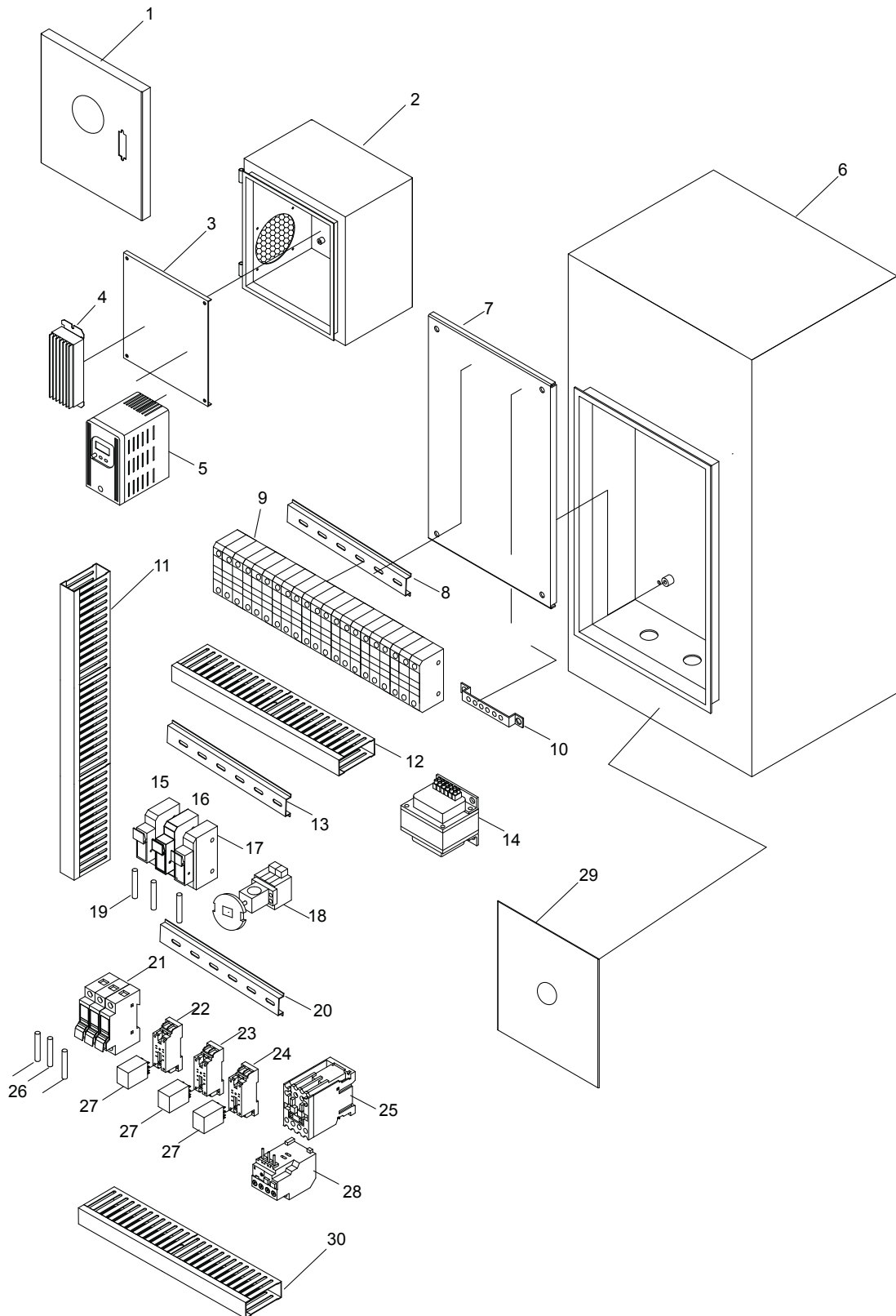
892006 5C COLLET CLOSER (OPTIONAL)



892006 5C COLLET CLOSER (OPTIONAL) PARTS LIST

Index No.	Parts No.	Description	Size	Qty.
1	C510350**	Sleeve Coupling (For 2131)		1
2	C52302004	Fixed Seat (Length)		1
3	C53004118	Sleeve	#5	1
4	C54002038	Coupling		1
5	C54004047	Arbor		1
6	C54006001	Buckle		3
7	C54008007	Buckling Plate		1
8	C54012019	Outward Flange		1
9	C54014002	Bearing Shaft		1
10	C54016011	Bearing Stand		1
11	C54018020	Collar		1
12	C54020023	Bearing Body		1
13	C54021000	Set Screw		2
14	C54025015	Coupling		2
15	C54026005	Special Pin		2
16	C540271**	Screw Bolt (For 2131)	105L	1
17	C54029208	Screw Bolt	205L	1
18	C554920**	Draw Bar (For 2131)	492L	1
19	BB-6208ZZ	Ball Bearing	6208ZZ	1
20	SB-6MM	Steel Ball	Ø6.0	1
21	5510484	Spring Pin	5 x 20L	1
22	GB050254	Spring Pin	1/4"x1-1/2L	3
23	GC020101	Retaining Ring (external)	32	1
24	GD020596	Grip	1/2"	1
25	GE040176	Spring		1
26	TS-1501021	Hex Socket Cap Screw	M4 x 8L	3
27	TS-1523031	Set Screw	M6 x 10L	3
28	GF030823	Locking Nut	AN08	1
29	TS-0640081	Hex Nut	5/16 "	2
30	TS-0640111	Hex Nut	1/2 "	3
	892006	5C Collet Closer (#1 thru 30)		1

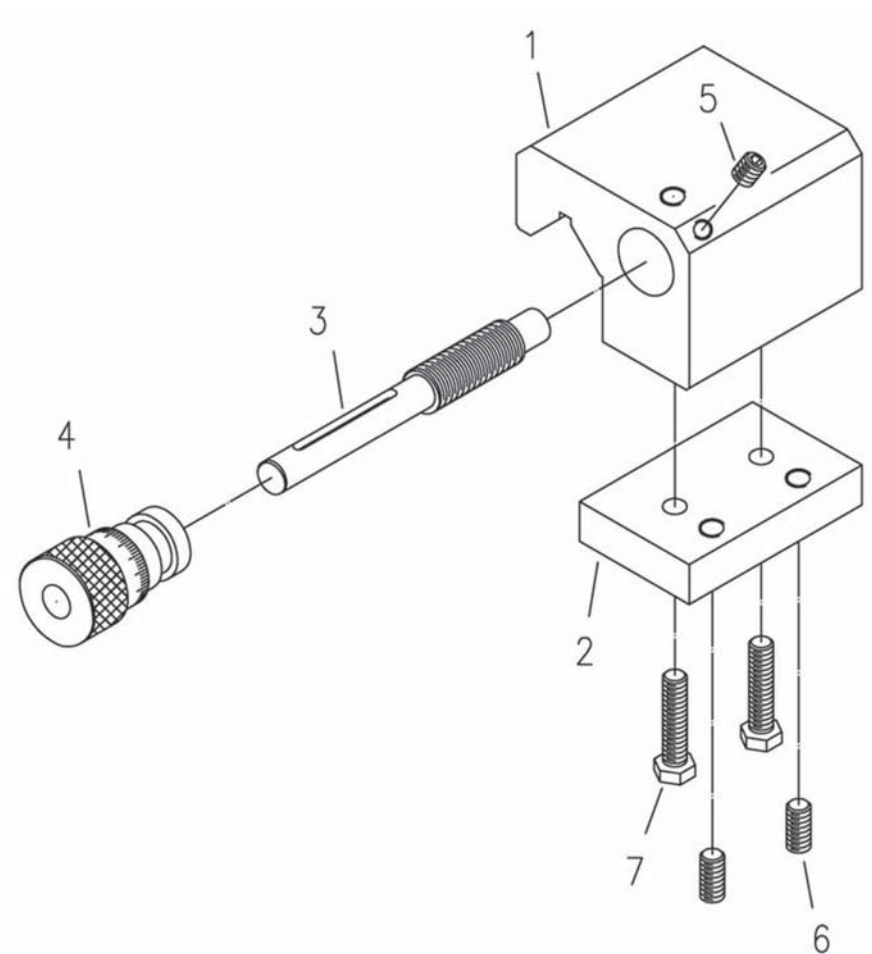
CONTROL PLATE ASSEMBLY



CONTROL PLATE ASSEMBLY PARTS LIST

Index No.	Parts No.	Description	Size	Qty.
1	EBL1236VS-H01	Cover	300*300*20*1.2T	1
2	EBL1236VS-H02	Electric Box	300*300*178 1.2T	1
	EBL1236VS-H01A	Cover Assembly (Including #1~2)		1
3	EBL1236VS-H03	Plate		1
4	EBL1236VS-H04	Brake Resistance	260W 100Ω	1
5	EBL1236VS-H05	Inverter	VFD-B Ac240v 2HP	1
6	EBL1236VS-H06	Floor Stand	437L*368W*15H	1
7	EBL1236VS-H07	Plate		1
8	EBL1236VS-H08	Track		1
9	EBL1236VS-H09	Terminal Blocks		1
10	EBL1236VS-H10	Earthing Terminal Blocks		1
11	EBL1236VS-H11	Trunking		1
12	EBL1236VS-H12	Trunking		1
13	EBL1236VS-H13	Track		1
14	EBL1236VS-H14	Control Circuit Transformer	120VC Ac24v(5A)	1
15	EBL1236VS-H15	Fuse Box		1
16	EBL1236VS-H16	Fuse Box		1
17	EBL1236VS-H17	Fuse Box		1
18	EBL1236VS-H18	Main Power Switch	690VAC 25A	1
19	EBL1236VS-H19	Fuse	5A	3
20	EBL1236VS-H20	Track		1
21	EBL1236VS-H21	Fuse Boxes		1
22	EBL1236VS-H22	Relay Socket		1
23	EBL1236VS-H23	Relay Socket		1
24	EBL1236VS-H24	Relay Socket		1
25	EBL1236VS-H25	Magnetic Contactor	CU-11 Ac24v (3A1b)	1
26	EBL1236VS-H26	Fuse	30A	3
27	EBL1236VS-H27	Relay	MY4N-J Ac24v	3
28	EBL1236VS-H28	Thermal Overload Relay	RHU-10K1 0.45~0.63A	1
29	EBL1236VS-H29	Cover		1
30	EBL1236VS-H30	Trunking		1

MICRO CARRIAGE STOP & PARTS LIST



Index No.	Parts No.	Description	Size	Qty.
1	E1236VS-IM1	Stop	60Lx60Wx46.5H	1
2	E1236VS-IM2	Clamping Plate	60Lx38Wx12H	1
3	E1236VS-IM3	Spindle	Ø12.7x92L	1
4	E1236VS-IMI4	Scale Ring (Imperial Units)	Ø25.4x37LxØ9.52	1
	E1236VS-IMM4	Scale Ring (Metric Units)	Ø25.4x37LxØ9.52	1
5	TS-1523011	Set Screw	M6x6	1
6	TS-1523051	Set Screw	M6x16	2
7	TS-1482051	Hex Cap Screw	M6x25	2
	E1236VS-IMA	Micro Carriage Stop Assembly (#1~7)		1