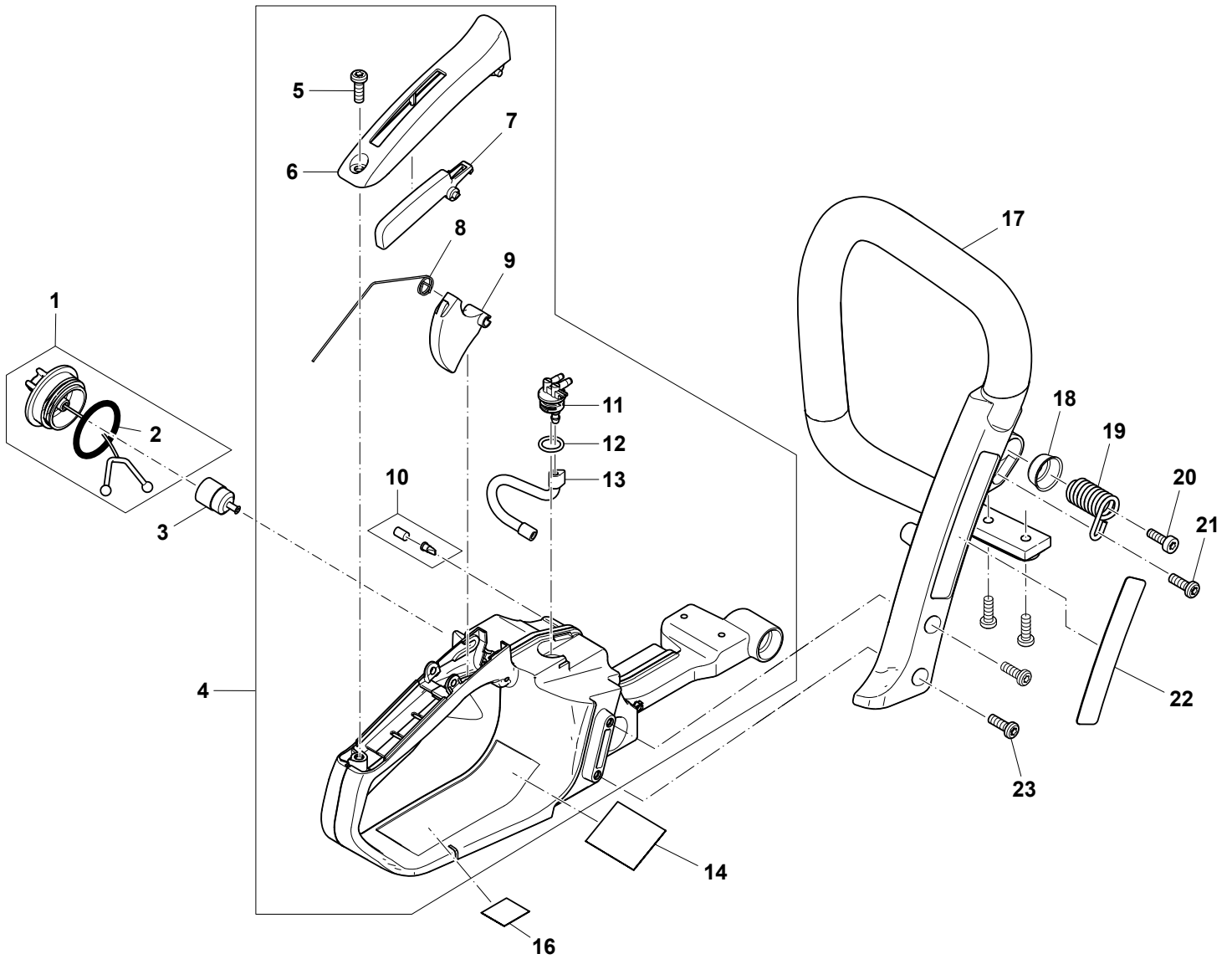


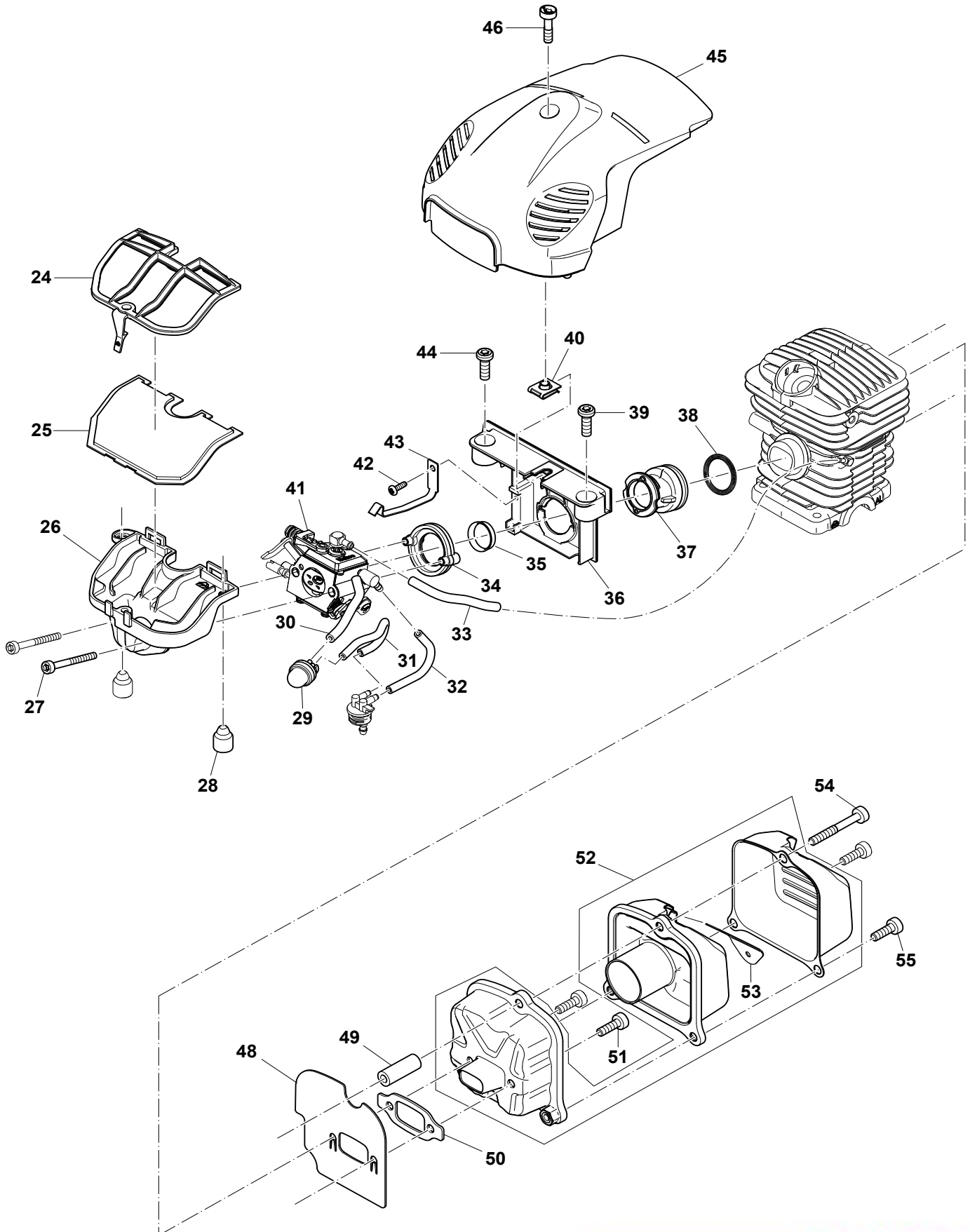


**PARTS BREAKDOWN**  
**EA3201SRBB (Makita Red)**



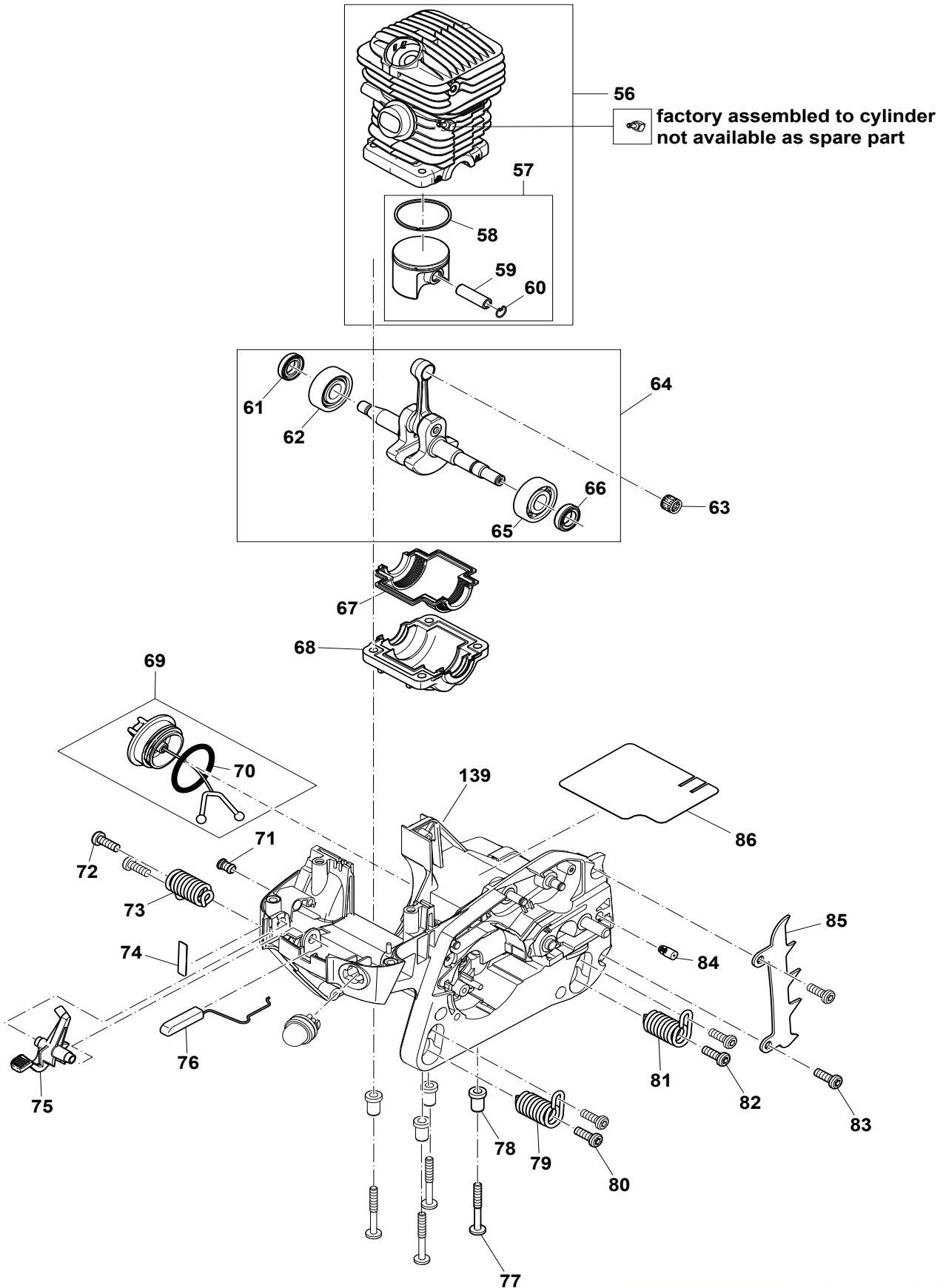
Products with multiple versions are listed in subsiding order with the newest version on top not indented.

Section	Fig. No.	Part No.	Description	EA3201S35B	EA3201SRBB	EA3200SR	PS-32C	Tech Bulletin	Notes
1	1	168507-3	TANK CAP COMPLETE	1	1	1	1		INC. 2
1	2	213080-9	O RING 29.5	1	1	1	1		
1	3	163447-0	GASOLINE FILTER	1	1	1	1		
1	4	195758-5	TANK ASSEMBLY A BLUE	1					INC. 5-13 BLUE
1	4	195757-7	TANK ASSEMBLY A RED		1	1	1		INC. 5-13 RED
1	5	266651-1	H.L. TAPPING SCREW 5.5X16	1	1	1	1		
1	6	452021-2	GRIP SHELL	1	1	1	1		
1	7	452020-4	CATCH LEVER	1	1	1	1		
1	8	231866-9	TORSION SPRING 10	1	1	1	1		
1	9	452019-9	THROTTLE LEVER	1	1	1	1		
1	10	195762-4	AIR VALVE SET	1	1	1	1		
1	11	452018-1	FUEL NIPPLE	1	1	1	1		
1	12	213586-7	O RING 11.5	1	1	1	1		
1	13	424456-7	FUEL LINE	1	1	1	1		
1	17	452036-9	TUBULAR HANDLE	1	1	1	1		
1	18	346517-2	CUP WASHER 6	1	1	1	1		
1	19	234189-4	COMPRESSION SPRING 12	1	1	1	1		
1	20	266605-8	H.L. SOCKET HEAD BOLT M5X16	1	1	1	1		
1	21	266651-1	H.L. TAPPING SCREW 5.5X16	1	1	1	1		
1	22	891899-2	DOLMAR LOGO LABEL				1		
1	23	266651-1	H.L. TAPPING SCREW 5.5X16	4	4	4	4		



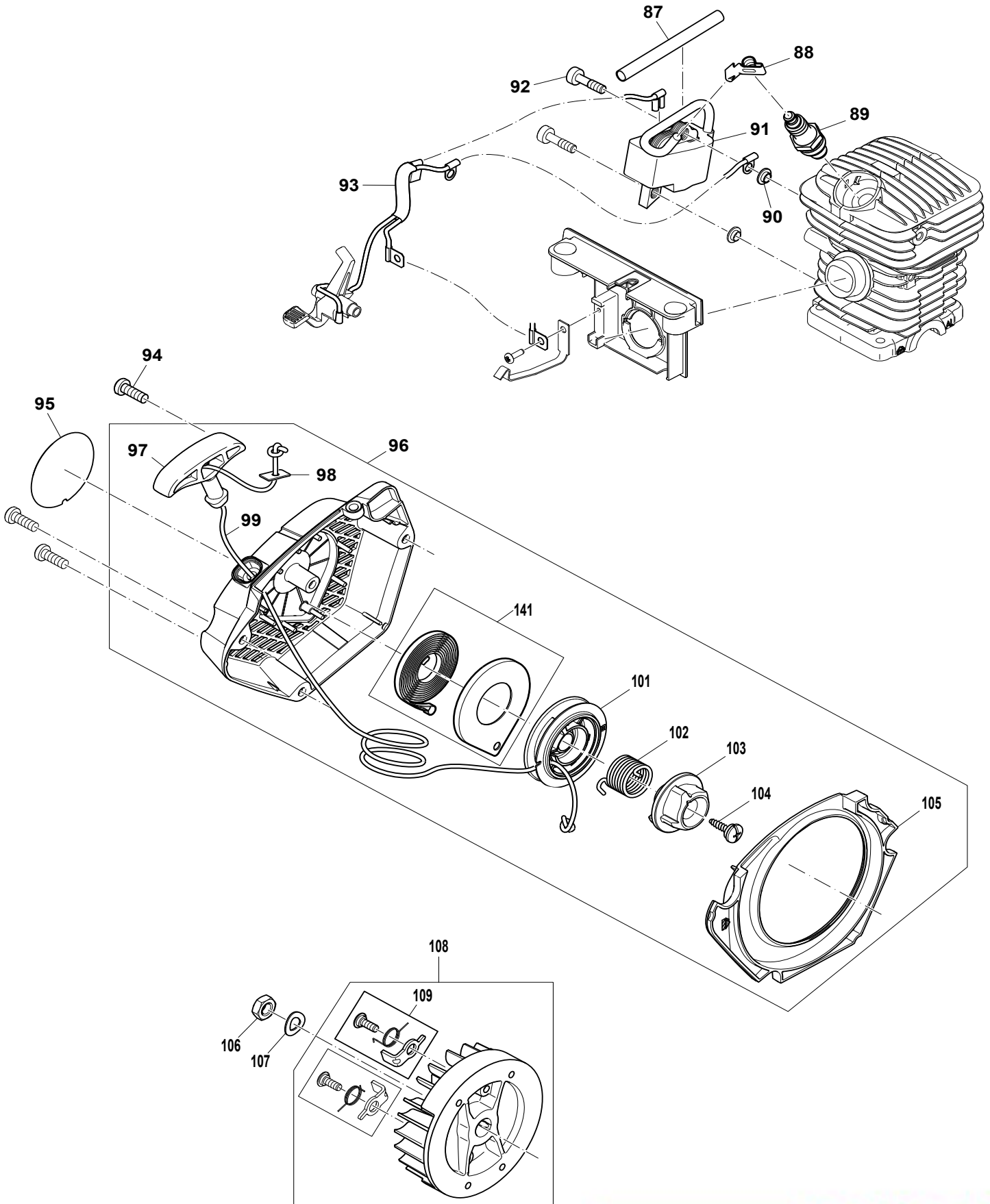
Products with multiple versions are listed in subsiding order with the newest version on top not indented.

Section	Fig. No.	Part No.	Description	EA3201S35B	EA3201SRBB	EA3200SR	PS-32C	Tech Bulletin	Notes
2	24	452031-9	AIR FILTER COVER	1	1	1	1		
2	25	423414-0	AIR FILTER	1	1	1	1		
2	26	452030-1	INTAKE MANIFOLD	1	1	1	1		
2	27	266604-0	H.L. SOCKET HEAD BOLT M4X40	2	2	2	2		
2	28	424173-9	DAMPING PLUG	2	2	2	2		
2	29	168398-2	PRIMER PUMP	1	1	1	1		
2	30	422067-2	TUBE 2.5-55	1	1	1	1		
2	31	422065-6	TUBE 2.5-112	1	1	1	1		
2	32	422068-0	TUBE 3-70	1	1	1	1		
2	33	422066-4	TUBE 2.5-72	1	1	1	1		
2	34	318634-8	FLANGE RING	1	1	1	1		
2	35	346413-4	BUSH 17	1	1	1	1		
2	36	452024-6	INTERMEDIATE FLANGE	1	1	1	1		
2	37	424340-6	INTAKE HOSE	1	1	1	1		
2	38	233971-8	RING SPRING	1	1	1	1		
2	39	266651-1	H.L. TAPPING SCREW 5.5X16	1	1	1	1		
2	40	264044-6	SNAP NUT M5	1	1	1	1		
2	41	168849-5	CARBURETOR	1	1	1	1		2013-08>
2	41	168779-0	CARBURETOR	1		1	1		>2013-07
2	42	266421-8	TAPPING SCREW 3X10	1	1	1	1		
2	43	346290-4	CONTACT SPRING	1	1	1	1		
2	44	266651-1	H.L. TAPPING SCREW 5.5X16	1	1	1	1		
2	45	452023-8	HOOD	1	1	1	1		
2	46	266607-4	H.L. SOCKET HEAD BOLT M5X20	1	1	1	1		
2	48	346306-5	COOLING PLATE	1	1	1	1		
2	49	325939-9	CONNECTING LINK	1	1	1	1		
2	50	346304-9	GASKET	1	1	1	1		
2	51	266605-8	H.L. SOCKET HEAD BOLT M5X16	2	1	2	2		
2	52	168604-5	MUFFLER COMPLETE	1	1	1	1		INC. 53
2	53	346294-6	SPARK ARRESTER SCREEN	1	1	1	1		
2	54	266606-6	H.L. SOCKET HEAD BOLT M5X40	1	1	1	1		
2	55	266605-8	H.L. SOCKET HEAD BOLT M5X16	2	1	2	2		



Products with multiple versions are listed in subsiding order with the newest version on top not indented.

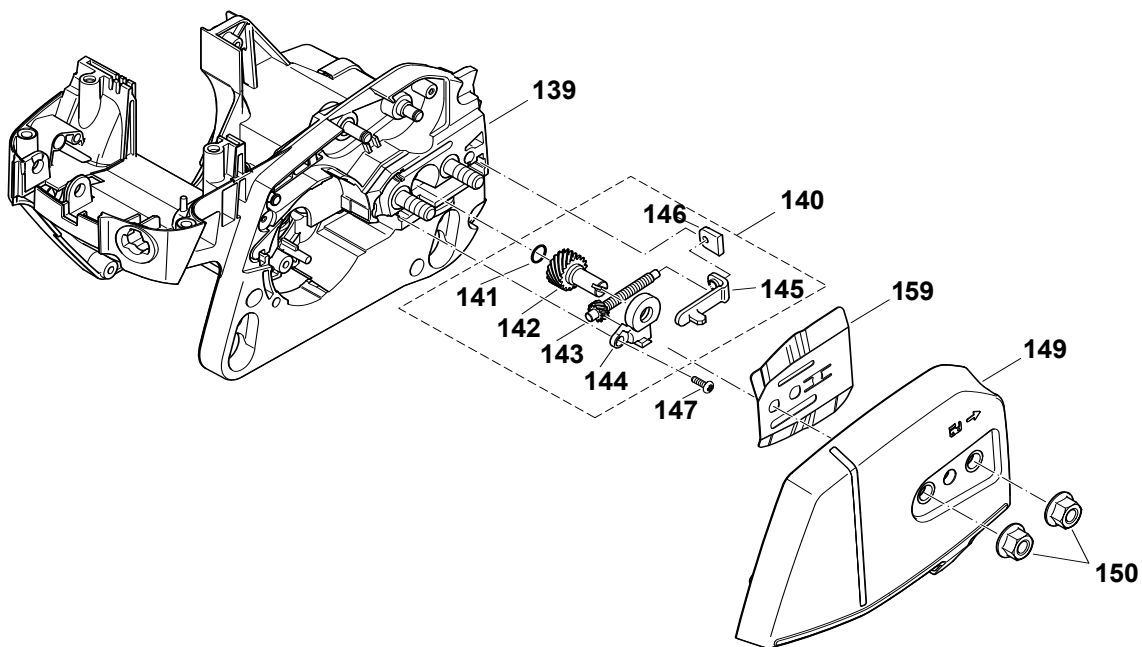
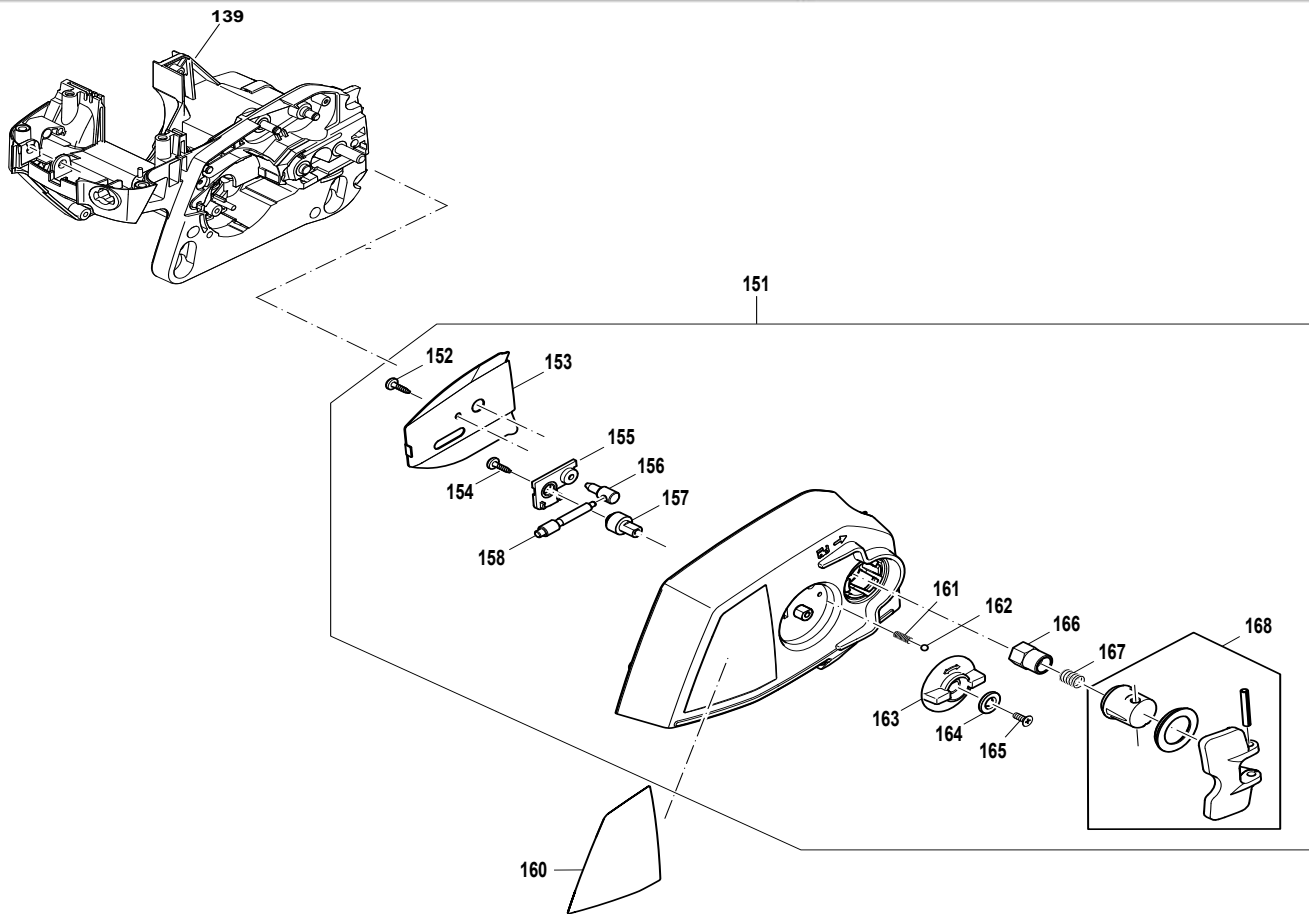
Section	Fig. No.	Part No.	Description	EA3201S35B	EA3201SRBB	EA3200SR	PS-32C	Tech Bulletin	Notes
3	56	196384-3	CYLINDER PISTON SET	1	1	1	1		INC. 57
3	57	195760-8	PISTON SET	1	1	1	1		INC. 58-60
3	58	325991-7	PISTON RING 38	1	1	1	1		
3	59	325992-5	PISTON PIN 8	1	1	1	1		
3	60	233988-1	RING SPRING 8	1	1	1	1		
3	61	213582-5	OIL SEAL 12	1	1	1	1		
3	62	211341-1	BALL BEARING 6201	1	1	1	1		
3	63	212086-4	NEEDLE CAGE 810	1	1	1	1		
3	64	195956-1	CRANK SHAFT SET	1	1	1	1		INC. 61, 62, 65, 66
3	65	211341-1	BALL BEARING 6201	1	1	1	1		
3	66	213582-5	OIL SEAL 12	1	1	1	1		
3	67	424339-1	CRANK CASE SEALING	1	1	1	1		
3	68	318633-0	CRANKCASE UNDERSIDE	1	1	1	1		
3	69	168507-3	TANK CAP COMPLETE	1	1	1	1		INC. 70
3	70	213080-9	O RING 29.5	1	1	1	1		
3	71	452727-2	PLUG	1	1	1	1		
3	72	266651-1	H.L. TAPPING SCREW 5.5X16	2	1	2	2		
3	73	234189-4	COMPRESSION SPRING 12	1	1	1	1		
3	74	816917-5	INDICATION LABEL	1	1	1	1		
3	75	452025-4	CHOKE LEVER	1	1	1	1		
3	76	452022-0	THROTTLE LINKAGE	1	1	1	1		
3	76	125-117-120	THROTTLE LINKAGE	1	1	1	1		
3	77	266608-2	H.L.TAPPING SCREW 5X40	4	1	4	4		
3	78	325946-2	BUSH 6	4	1	4	4		
3	79	234189-4	COMPRESSION SPRING 12	1	1	1	1		
3	80	266651-1	H.L. TAPPING SCREW 5.5X16	2	1	2	2		
3	81	234189-4	COMPRESSION SPRING 12	1	1	1	1		
3	82	266651-1	H.L. TAPPING SCREW 5.5X16	2	1	2	2		
3	83	266651-1	H.L. TAPPING SCREW 5.5X16	2	1	2	2		
3	84	168504-9	VENT VALVE	1	1	1	1		
3	85	346301-5	SPIKE BAR	1	1	1	1		
3	86	346385-3	HEAT PROTECTION FOIL	1	1	1	1		
3	139	140482-5	ENGINE HOUSING COMPLETE TLC BLUE	1					
3	139	140481-7	ENGINE HOUSING COMPLETE, EA3201SRBB		1				
3	139	140476-0	ENGINE HOUSING COMPLETE, PS-32, EA3200SR			1	1		





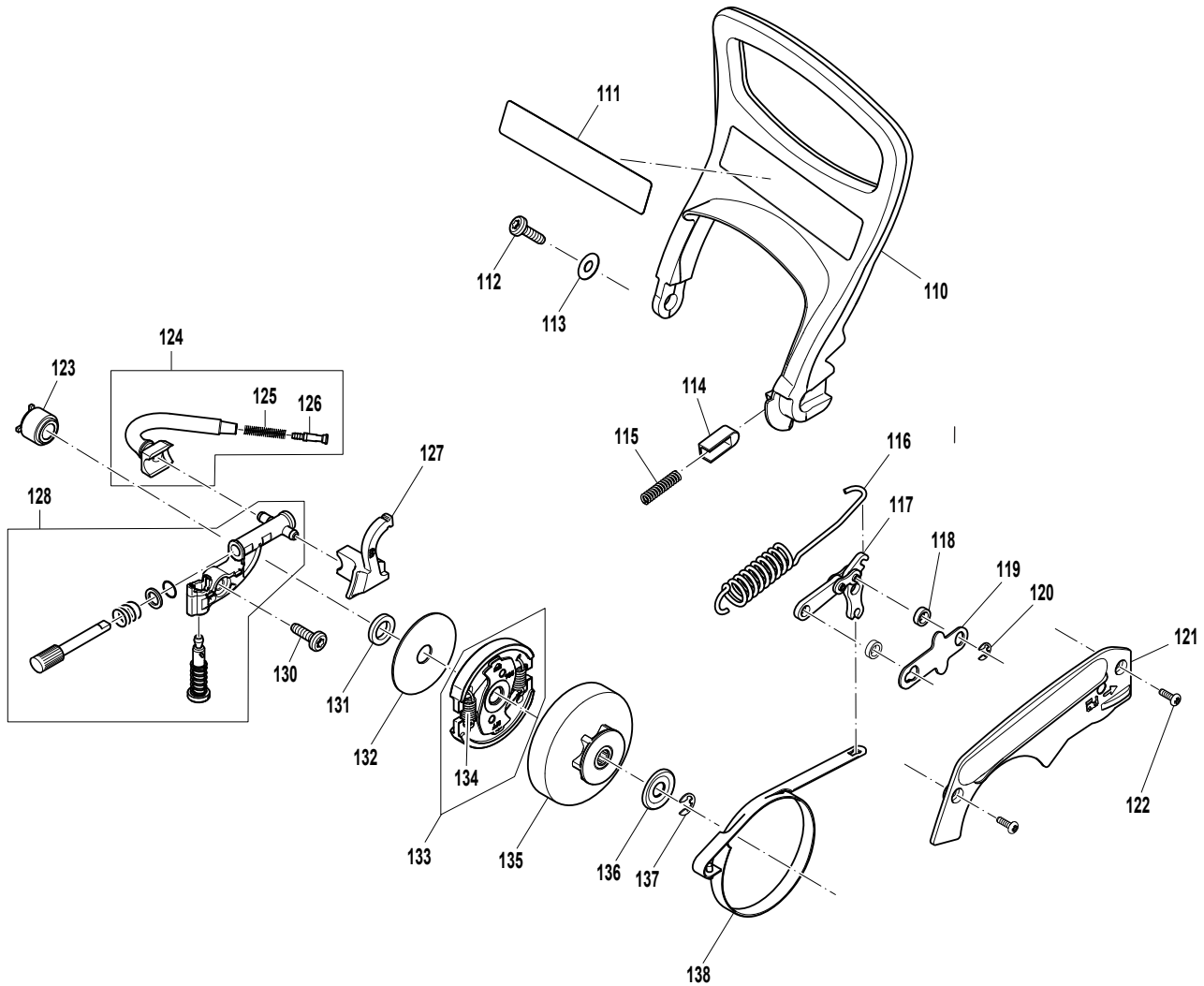
Products with multiple versions are listed in subsiding order with the newest version on top not indented.

Section	Fig. No.	Part No.	Description	EA3201S35B	EA3201SRBB	EA3200SR	PS-32C	Tech Bulletin	Notes
4	87	444029-0	ISOLATING TUBE 6-95	1	1	1	1		
4	88	424522-0	SPARK PLUG CONNECTOR	1	1	1	1		
4	88	346445-1	SPARK PLUG CONNECTOR	1		1	1		
4	89	168401-9	SPARK PLUG	1	1	1	1		
4	90	452670-5	ISOLATING WASHER	2	2	2	2		
4	91	126270-4	IGNITION COIL ASS'Y, EA3201S	1	1	1	1		INC. 87-88
4	92	266631-7	H.L. SOCKET HEAD BOLT M5X20	2	2	2	2		
4	93	168601-1	CABLE HARNESS	1	1	1	1		
4	94	266651-1	H.L. TAPPING SCREW 5.5X16	3	3	3	3		
4	95	819544-7	PS-32 MODEL NO. LABEL			1	1		
4	96	168608-7	STARTER COMPLETE BLUE	1					INC. 97-99, 101-105, 141
4	96	161327-4	STARTER COMPLETE RED		1	1	1		INC. 97-99, 101-105, 141
4	96	168603-7	STARTER COMPLETE RED		1	1	1		INC. 97-99, 101-105, 141
4	97	453783-5	STARTER GRIP	1	1	1	1		
4	98	267847-7	SQUARE WASHER 4	1	1	1	1		
4	99	444038-9	STARTER ROPE	1	1	1	1		
4	101	453785-1	REEL	1	1	1	1		
4	102	234253-1	TORSION SPRING 20	1	1	1	1		
4	103	453786-9	CAM PLATE	1	1	1	1		
4	104	266777-9	TAPPING SCREW 5X12	1	1	1	1		
4	105	452026-2	AIR GUIDE PLATE	1	1	1	1		
4	106	264053-5	HEX. NUT M8X1	1	1	1	1		
4	107	267822-3	SPRING WASHER 8	1	1	1	1		
4	108	140480-9	FLYWHEEL COMPLETE	1	1	1	1		INC. 109
4	109	195761-6	RATCHET SET	2	2	2	2		
4	141	195955-3	REWIND SPRING SET	1	1	1	1		INC. 100, 140



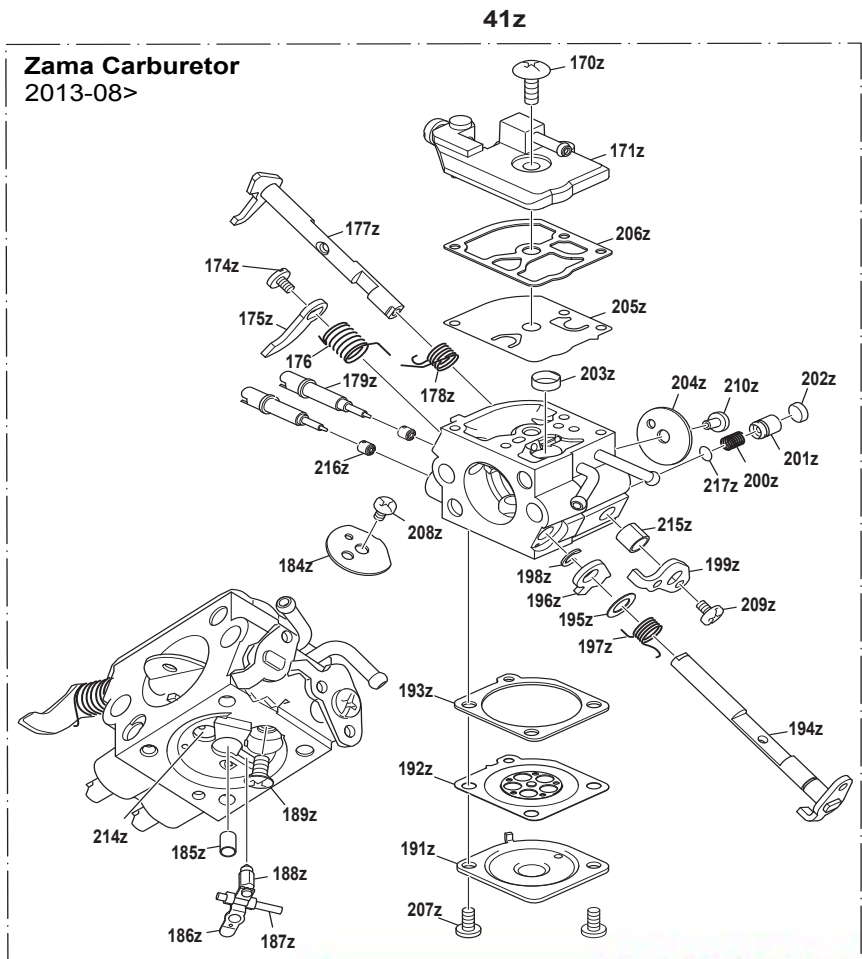
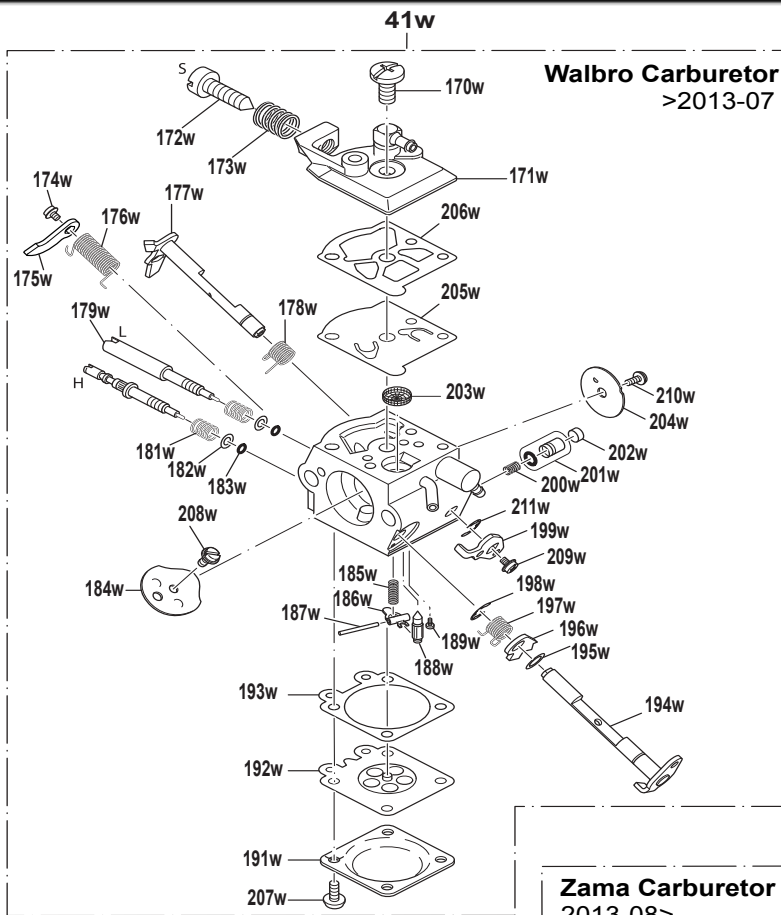
Products with multiple versions are listed in subsiding order with the newest version on top not indented.

Section	Fig. No.	Part No.	Description	EA3201S35B	EA3201SRBB	EA3200SR	PS-32C	Tech Bulletin	Notes
5	139	140482-5	ENGINE HOUSING COMPLETE TLC BLUE	1					
5	139	140481-7	ENGINE HOUSING COMPLETE, EA3201SRBB		1				
5	139	140476-0	ENGINE HOUSING COMPLETE, PS-32, EA3200SR			1	1		
5	140	195763-2	CHAIN TENSIONER SET			1	1		
5	141	213594-8	O-RING 7			1	1		
5	142	227744-9	HELICAL GEAR 18			1	1		
5	143	227743-1	HELICAL GEAR 11			1	1		
5	144	452667-4	GEAR COVER			1	1		
5	145	346300-7	TENSION SLIDE			1	1		
5	146	452668-2	CLAMP SCREW BEDDING			1	1		
5	147	266421-8	TAPPING SCREW 3X10			1	1		
5	149	452034-3	SPROCKET GUARD, PS-32			1	1		
5	150	264055-1	BAR NUT, PS-32C			2	2		
5	151	140510-6	SPROCKET GUARD TLC COMPLETE B	1					INC. 152-158,161-168
5	151	140505-9	SPROCKET GUARD TLC COMPLETE B		1				INC. 152-158,161-168
5	152	266007-8	TAPPING SCREW BIND PT 3X10	1	1				
5	153	346309-9	GUIDE PLATE	1	1				
5	154	266007-8	TAPPING SCREW BIND PT 3X10	1	1				
5	155	417403-5	COVER	1	1				
5	156	324068-5	ADJUST PIN	1	1				
5	157	226681-4	HELICAL GEAR 17	1	1				
5	158	226534-7	HELICAL GEAR 8	1	1				
5	159	346518-0	GUIDE PLATE			1	1		
5	160	892502-8	INDICATION LABEL	1	1				
5	161	233033-2	COMPRESSION SPRING 4	1	1				
5	162	216008-6	STEEL BALL 4	1	1				
5	163	419233-0	DIAL 40	1	1				
5	164	253874-0	FLAT WASHER 4	1	1				
5	165	915106-0	BINDING HEAD SCREW M4X8	1	1				
5	166	264042-0	HEX. NUT M8-13	1	1				
5	167	231025-5	COMPRESSION SPRING 8	1	1				
5	168	195764-0	WING GRIP SET	1	1				



Products with multiple versions are listed in subsiding order with the newest version on top not indented.

Section	Fig. No.	Part No.	Description	EA3201S35B	EA3201SRBB	EA3200SR	PS-32C	Tech Bulletin	Notes
6	110	452032-7	HAND GUARD	1	1	1	1		
6	111	810449-4	CAUTION LABEL	1	1	1	1		
6	112	266627-8	H.L. TAPPING SCREW 4.7X16	1	1	1	1		
6	113	267066-5	FLAT WASHER 5	1	1	1	1		
6	114	313212-9	HAND GUARD GUIDE	1	1	1	1		
6	115	234210-9	COMPRESSION SPRING 6	1	1	1	1		
6	116	231868-5	TENSION SPRING 10	1	1	1	1		
6	117	163500-2	LINK PLATE COMPLETE	1	1	1	1		
6	118	325947-0	BUSH 6	2	2	2	2		
6	119	346299-6	SPACER SHEET METAL	1	1	1	1		
6	120	961011-9	STOP RING E-4	1	1	1	1		
6	121	452033-5	BRAKE COVER	1	1	1	1		
6	122	266421-8	TAPPING SCREW 3X10	2	2	2	2		
6	123	452035-1	PUMP DRIVE	1	1	1	1		
6	124	168645-1	OIL SUCTION LINE COMPLETE	1	1	1	1		INC. 125126
6	125	234207-8	COMPRESSION SPRING 6	1	1	1	1		
6	126	452666-6	NIPPLE	1	1	1	1		
6	127	424342-2	OIL PRESSURE LINE	1	1	1	1		
6	128	161346-0	OIL PUMP COMPLETE	1	1	1	1		
6	128	168503-1	OIL PUMP COMPLETE	1		1	1		
6	130	266627-8	H.L. TAPPING SCREW 4.7X16	1	1	1	1		
6	131	267430-0	FLAT WASHER 10	1	1	1	1		
6	132	267431-8	FLAT WASHER 10	1	1	1	1		
6	133	168607-9	CLUTCH COMPLETE	1	1	1	1		INC. 134
6	134	231873-2	TENSION SPRING 5	2	2	2	2		
6	135	140484-1	CLUTCH DRUM ASSEMBLY	1	1	1	1		
6	135	140980-9	CLUTCH DRUM ASSEMBLY	1	1	1	1		
6	136	267833-8	FLAT WASHER 8	1	1	1	1		
6	136	267451-2	FLAT WASHER 8	1	1	1	1		
6	137	259033-4	RETAINING RING E TYPE 6	1	1	1	1		
6	138	346298-8	BRAKE BAND	1	1	1	1		



Products with multiple versions are listed in subsiding order with the newest version on top not indented.

Section	Fig. No.	Part No.	Description	EA3201S35B	EA3201SRBB	EA3200SR	PS-32C	Tech Bulletin	Notes
7	41z	168849-5	CARBURETOR	1	1	1	1		ZAMA 2013-08>
7	41w	168779-0	CARBURETOR	1		1	1		WALBRO >2013-07
7	170w	WJ00096166	SCREW	1		1	1		
7	170z	ZJ00000020	SCREW	1	1	1	1		
7	171w	WJ00213750	COVER ASSEMBLY-PUMP	1		1	1		
7	171z	ZJ00000004	COVER ASSEMBLY-PUMP	1	1	1	1		
7	172w	WJ00096369	SCREW-IDLE ADJ.	1		1	1		
7	173w	WJ00098356	SPRING	1		1	1		
7	174w	WJ00096475	SCREW	1		1	1		
7	174z	ZJ00000023	SCREW	1	1	1	1		
7	175w	WJ00183519	LEVER-CHOKE	1		1	1		
7	175z	ZJ00000025	LEVER-CHOKE	1	1	1	1		
7	176w	WJ00983585	SPRING	1		1	1		
7	176z	ZJ00000040	SPRING	1	1	1	1		
7	177w	WJ00223556	SHAFT ASSEMBLY-THROTTLE	1		1	1		
7	177z	ZJ00000015	SHAFT ASSEMBLY-THROTTLE	1	1	1	1		
7	178w	WJ00098494	SPRING	1		1	1		
7	178z	ZJ00000034	SPRING	1	1	1	1		
7	179w	WJ01023908	NEEDLE-IDLE	1		1	1		
7	179z	ZJ00000026	NEEDLE-IDLE	1	1	1	1		
7	181w	WJ00098404	SPRING	2		2	2		
7	182w	WJ00136152	WASHER	2		2	2		
7	183w	WJ00016105	RING-O	2		2	2		
7	184w	WJ00062150	VALVE-CHOKE	1		1	1		
7	184z	ZJ00000024	VALVE-CHOKE	1	1	1	1		
7	185w	WJ00983270	SPRING	1		1	1		
7	185z	ZJ00000010	SPRING	1	1	1	1		
7	186w	WJ00166114	LEVER-METERING	1		1	1		
7	186z	ZJ00000006	LEVER-METERING	1	1	1	1		
7	187w	WJ00014477	PIN-METERING LEVER	1		1	1		
7	187z	ZJ00000008	PIN-METERING LEVER	1	1	1	1		
7	188w	WJ00008282	VALVE-INLET NEEDLE	1		1	1		
7	188z	ZJ00000007	VALVE-INLET NEEDLE	1	1	1	1		
7	189w	WJ00963226	SCREW	1		1	1		

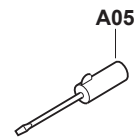
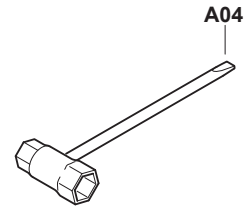
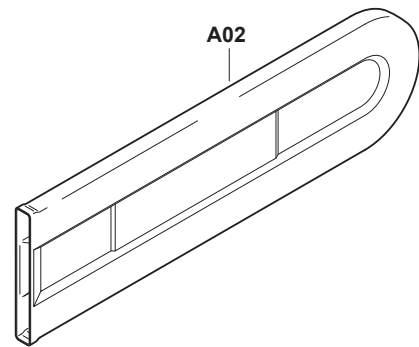
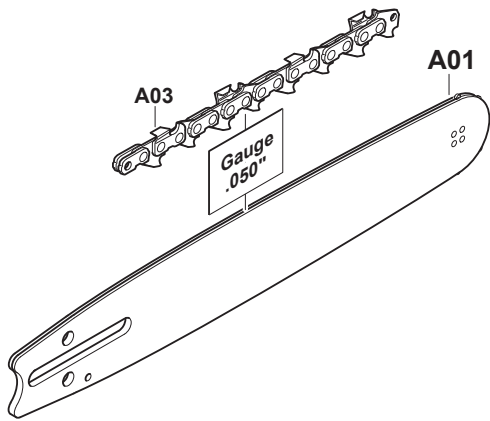
Products with multiple versions are listed in subsiding order with the newest version on top not indented.

Section	Fig. No.	Part No.	Description	EA3201S35B	EA3201SRBB	EA3200SR	PS-32C	Tech Bulletin	Notes
7	189z	ZJ00000009	SCREW	1	1	1	1		
7	190w	WJ00088271	PLUG-WELCH	1		1	1		
7	191w	WJ00021158	COVER-METERING DIAPHRAGM	1		1	1		
7	191z	ZJ00000028	COVER-METERING DIAPHRAGM	1	1	1	1		
7	192w	WJ00095613	DIAPHRAGM ASSEMBLY-METERING	1		1	1		
7	192z	ZJ00000013	DIAPHRAGM ASSEMBLY-METERING	1	1	1	1		
7	193w	442183-4	METERING DIAPHRAGM GASKET, EA3201S	1	1	1	1		
7	194w	WJ00223784	SHAFT ASSEMBLY-CHOKE	1		1	1		
7	194z	ZJ00000012	SHAFT ASSEMBLY-CHOKE	1	1	1	1		
7	195w	WJ00013690	WASHER	1		1	1		
7	195z	ZJ00000033	WASHER	1	1	1	1		
7	196w	WJ00016682	LEVER-FAST IDLE	1		1	1		
7	196z	ZJ00000031	LEVER-FAST IDLE	1	1	1	1		
7	197w	WJ00983584	SPRING	1		1	1		
7	197z	ZJ00000032	SPRING	1	1	1	1		
7	198w	WJ00001673	RING-RETAINING	1		1	1		
7	198z	ZJ00000017	RING-RETAINING	1	1	1	1		
7	199w	WJ00183366	LEVER-THROTTLE	1		1	1		
7	199z	ZJ00000022	LEVER-THROTTLE	1	1	1	1		
7	200w	WJ00983164	SPRING	1		1	1		
7	200z	ZJ00000073	SPRING	1	1	1	1		
7	200z	ZJ00000019	SPRING	1		1	1		
7	201w	WJ00160511	PISTON ASSMBLY-ACCELERATOR	1		1	1		
7	201z	ZJ00000005	PISTON ASSMBLY-ACCELERATOR	1	1	1	1		
7	202w	WJ00088229	PLUG-CUP	1		1	1		
7	202z	ZJ00000036	PLUG-CUP	1	1	1	1		
7	203w	WJ00014070	INLET SCREEN	1		1	1		
7	203z	ZJ00000003	INLET SCREEN	1	1	1	1		
7	204w	WJ00343439	VALVE-THROTTLE	1		1	1		
7	204z	ZJ00000030	VALVE-THROTTLE	1	1	1	1		
7	205w	WJ00009589	DIAPHRAGM-PUMP	1		1	1		
7	205z	ZJ00000029	DIAPHRAGM-PUMP	1	1	1	1		
7	206w	WJ00092225	GASKET-PUMP	1		1	1		
7	206z	ZJ00000016	GASKET-PUMP	1	1	1	1		
7	207w	WJ00096589	SCREW ASSEMBLY	4		4	4		



Products with multiple versions are listed in subsiding order with the newest version on top not indented.

Section	Fig. No.	Part No.	Description	EA3201S35B	EA3201SRBB	EA3200SR	PS-32C	Tech Bulletin	Notes
7	207z	ZJ00000014	SCREW ASSEMBLY	4	4	4	4		
7	208w	WJ00096475	SCREW	1		1	1		
7	208z	ZJ00000001	SCREW	1	1	1	1		
7	209w	WJ00096475	SCREW	1		1	1		
7	209z	ZJ00000023	SCREW	1	1	1	1		
7	210w	WJ00096475	SCREW	1		1	1		
7	210z	ZJ00000001	SCREW	1	1	1	1		
7	211w	WJ00001673	RING-RETAINING	1		1	1		
7	214z	ZJ00000018	NOZZLE ASSY, CHECK VALVE	1	1	1	1		
7	215z	ZJ00000021	COLLAR	1	1	1	1		
7	216z	ZJ00000035	RETAINER	1	1	1	1		
7	217z	ZJ00000037	STRAINER	1	1	1	1		



Products with multiple versions are listed in subsiding order with the newest version on top not indented.

Section	Fig. No.	Part No.	Description	EA3201S35B	EA3201SRBB	EA3200SR	PS-32C	Tech Bulletin	Notes
8	A01	165201-8	GUIDE BAR 14'	1	1				
8	A01	412-035-661	14" BAR 3/8"X.050G SNL			1	1		
8	A02	952-010-630	CHAIN PROTECTION COVER 330	1	1				
8	A02	952-010-140	16" CHAIN PROTECTOR			1	1		
8	A03	196207-5	SAW CHAIN SET	1	1				
8	A03	511-492-052	14" SAW CHAIN			1	1		
8	A04	941-713-160	UNIVERSAL WRENCH 13/16	1	1	1	1		
8	A05	783012-5	SCREWDRIVER	1	1	1	1		