

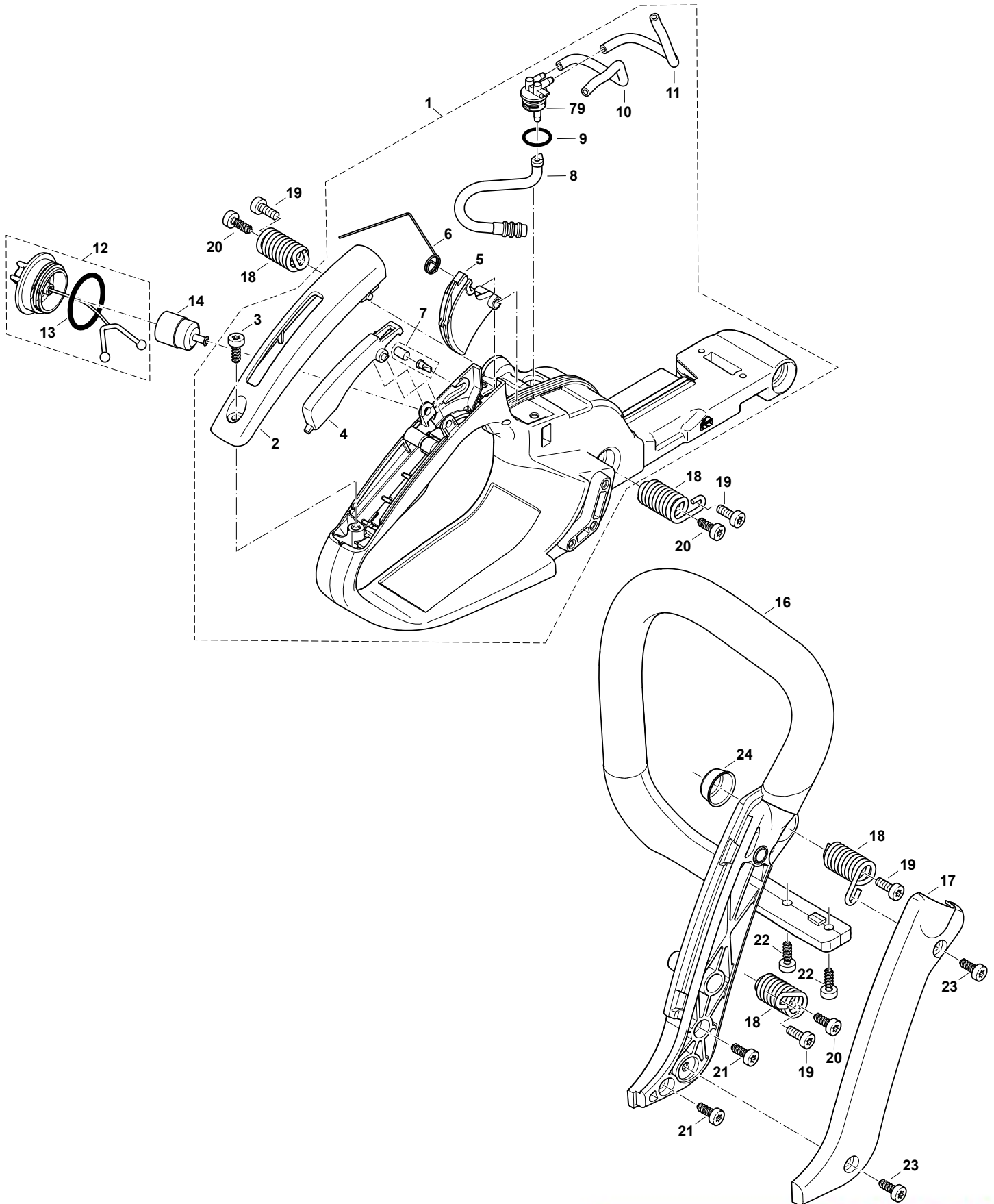


PARTS BREAKDOWN

EA4300F40B (Makita Teal)

EA4300FR (Makita Red)

PS-421 (Dolmar Red)

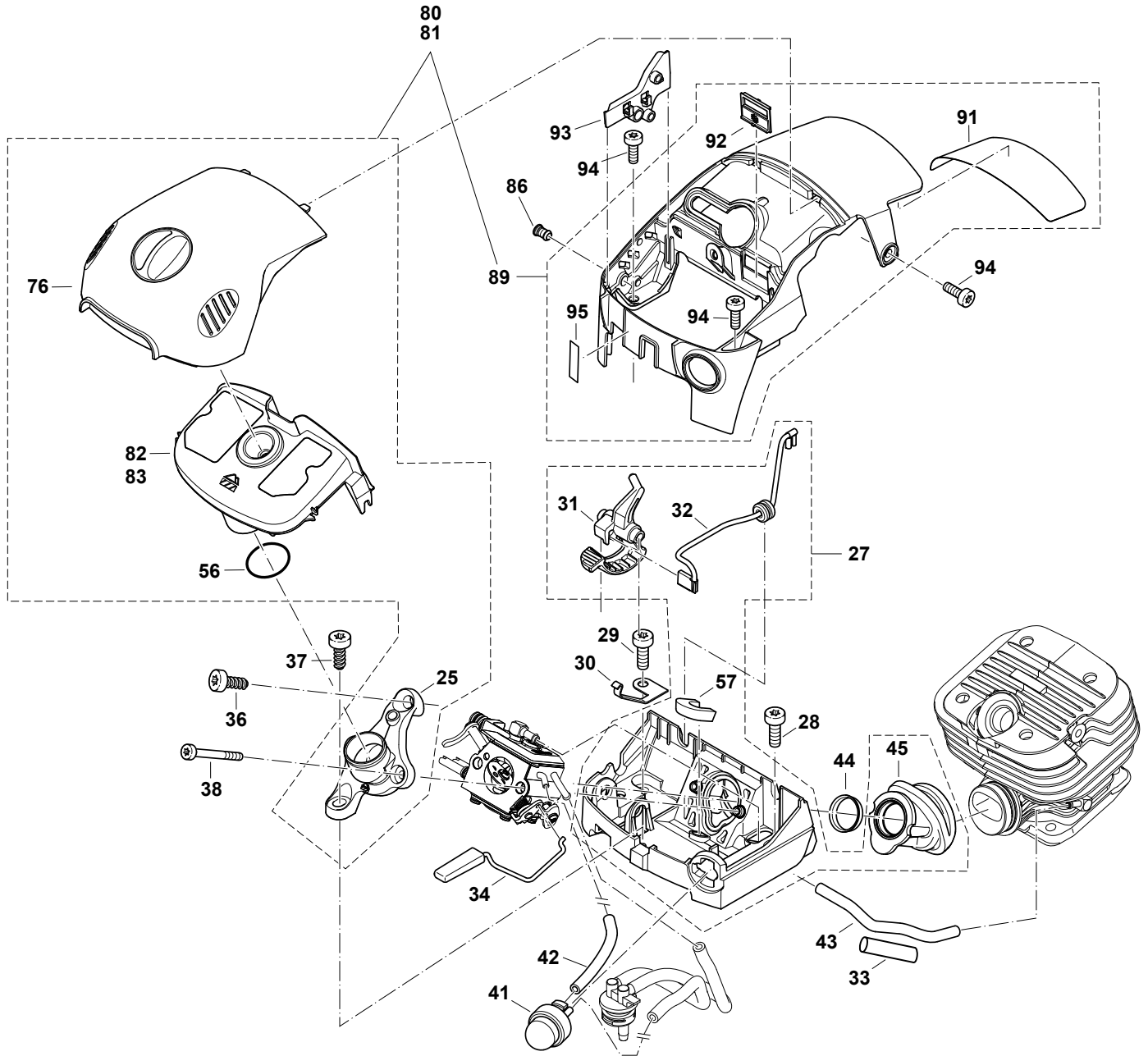


Products with multiple versions are listed in subsiding order with the newest version on top not indented.

Section	Fig. No.	Part No.	Description	EA4300F40B	EA4300FR	PS-421	Tech Bulletin	Notes
1	1	195-114-650	TANK CPL. BLUE	1				
1	1	195-114-180	TANK CPL. RED		1	1		
1	2	195-117-050	GRIP OUTER SHELL	1	1	1		
1	3	266478-9	SCREW	1	1	1		
1	3	913-455-164	SCREW	1	1	1		
1	4	456142-2	CATCH LEVER	1	1	1		
1	4	195-117-030	CATCH LEVER	1	1	1		
1	5	195-117-020	THROTTLE LEVER	1	1	1		
1	6	195-117-010	SPRING	1	1	1		
1	7	195762-4	AIR VALVE SET	1	1	1		
1	7	170-175-010	AIR VALVE CPL.	1		1		
1	8	424456-7	FUEL LINE	1	1	1		
1	8	195-114-050	FUEL LINE	1		1		
1	9	213586-7	O RING	1	1	1		
1	9	963-211-020	O RING	1		1		
1	10	422067-2	TUBE	1	1	1		
1	10	965-452-090	TUBE	1		1		
1	11	965-452-660	TUBE	1	1	1		
1	12	168507-3	TANK CAP CPL.	1	1	1		
1	12	181-114-202	TANK CAP CPL.	1		1		
1	13	213080-9	PACKING RING	2	2	2		
1	13	963-229-036	PACKING RING	2		2		
1	14	163447-0	FUEL FILTER	1	1	1		
1	14	320-163-447	FUEL FILTER	1	1	1		
1	16	456140-6	TUBULAR HANDLE	1	1	1		
1	16	195-310-010	TUBULAR HANDLE	1	1	1		
1	17	456154-5	COVER, BLACK			1		
1	17	195-310-651	COVER, BLUE	1				
1	17	195-310-051	COVER, RED			1		
1	18	234189-4	SPRING	1	1	1		
1	18	165-114-150	SPRING	1		1		
1	18	195-114-150	SPRING	4		4		
1	19	266605-8	H.L. SOCKET HEAD BOLT	4	4	4		
1	19	908-005-165	H.L. SOCKET HEAD BOLT	4	4	4		

Products with multiple versions are listed in subsiding order with the newest version on top not indented.

Section	Fig. No.	Part No.	Description	EA4300F40B	EA4300FR	PS-421	Tech Bulletin	Notes
1	20	266478-9	SCREW	3	3	3		
1	20	913-455-164	SCREW	3	3	3		
1	21	266478-9	SCREW	2	2	2		
1	21	913-455-164	SCREW	2	2	2		
1	22	266478-9	SCREW	2	2	2		
1	22	913-455-164	SCREW	2	2	2		
1	23	266478-9	SCREW	2	2	2		
1	23	913-455-164	SCREW	2	2	2		
1	24	346517-2	SPRING GUIDING HEAD	1	1	1		
1	24	195-114-160	SPRING GUIDING HEAD	1	1	1		
1	79	195-114-060	FUEL NIPPLE	1	1	1		

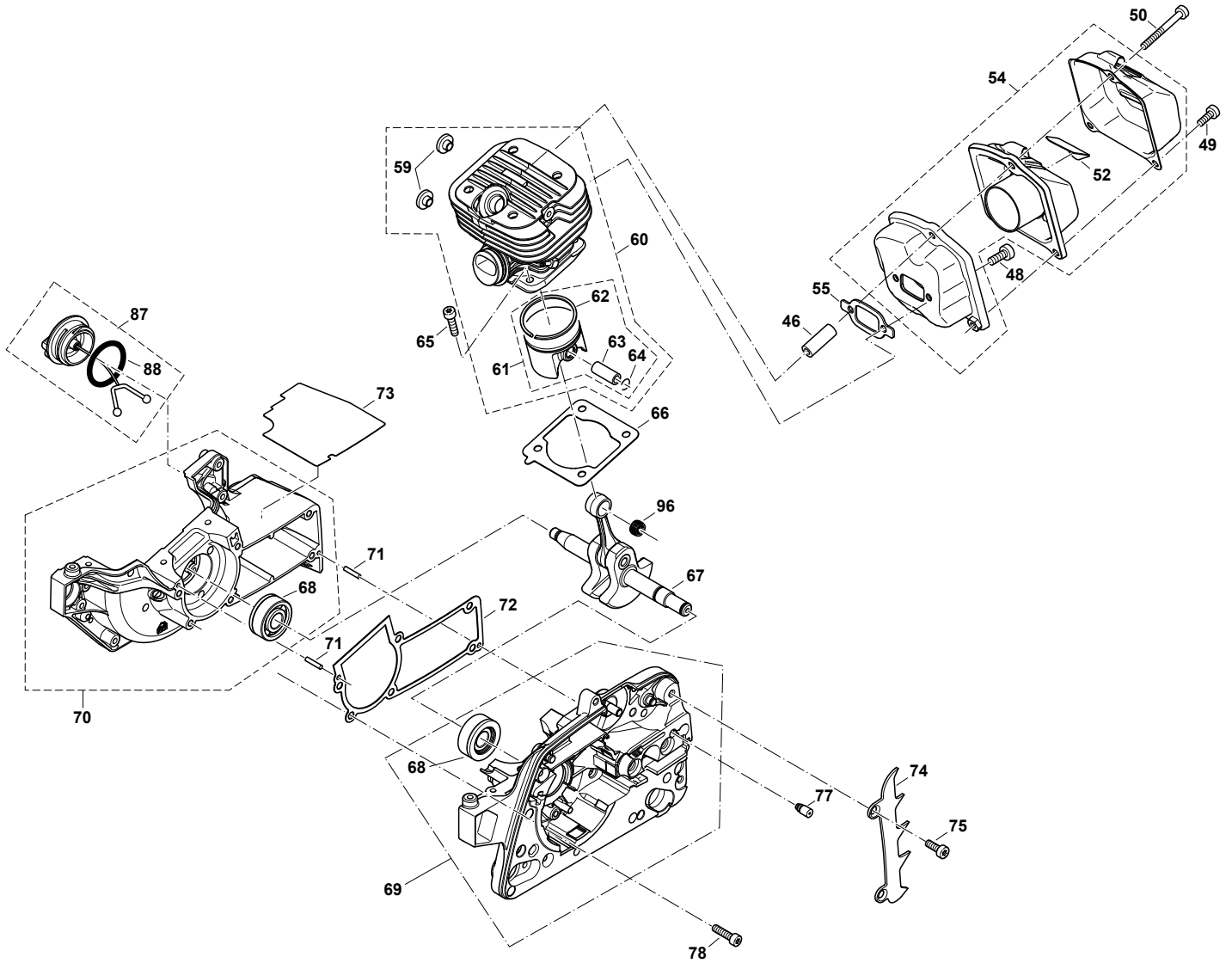


Products with multiple versions are listed in subsiding order with the newest version on top not indented.

Section	Fig. No.	Part No.	Description	EA4300F40B	EA4300FR	PS-421	Tech Bulletin	Notes
2	25	195-171-020	CONNECTING MUFF	1	1	1		
2	27	195-131-301	BOTTOM CPL.	1	1	1		
2	28	266605-8	H.L. SOCKET HEAD BOLT	2	2	2		
2	28	908-005-165	H.L. SOCKET HEAD BOLT	2	2	2		
2	29	266605-8	H.L. SOCKET HEAD BOLT	2	2	2		
2	29	908-005-165	H.L. SOCKET HEAD BOLT	2	2	2		
2	30	195-155-050	CONTACT SPRING	1	1	1		
2	31	195-155-021	CHOKE LEVER	1	1	1		
2	32	195-147-010	IGNITION CABLE	1	1	1		
2	33	970-502-110	ISOLATING HOSE	M	M	M		
2	34	195-117-110	THROTTLE LINKAGE CPL.	1	1	1		
2	36	266478-9	SCREW	1	1	1		
2	36	913-455-164	SCREW	1	1	1		
2	37	266478-9	SCREW	1	1	1		
2	37	913-455-164	SCREW	1	1	1		
2	38	908-004-406	SCREW	2	2	2		
2	38	908-004-405	SCREW	2		2		
2	41	010-155-011	PRIMER	1	1	1		
2	41	010-155-010	PRIMER	1		1		
2	42	422067-2	TUBE	1	1	1		
2	42	965-452-090	TUBE	1		1		
2	43	422067-2	TUBE	1	1	1		
2	43	965-452-090	TUBE	1		1		
2	44	346413-4	INSERT	1	1	1		
2	44	185-131-020	INSERT	1	1	1		
2	44	181-131-021	INSERT	1		1		
2	45	195-131-040	SUCTION HOSE	1	1	1		
2	56	213085-9	O RING	1	1	1		
2	56	963-220-013	O RING	1	1	1		
2	57	195-131-090	PACKING RING	1	1	1		
2	76	195-118-550	COVER BLACK	1	1	1		
2	80	195-173-210	FILTER-SET	1	1	1		Nylon
2	81	195-173-220	FILTER-SET	1	1	1		Fleece

Products with multiple versions are listed in subsiding order with the newest version on top not indented.

Section	Fig. No.	Part No.	Description	EA4300F40B	EA4300FR	PS-421	Tech Bulletin	Notes
2	82	123453-7	AIR FILTER CPL.	1	1	1		
2	82	195-173-150	AIR FILTER CPL.	1	1	1		
2	83	123452-9	AIR FILTER CPL.	1	1	1		
2	83	195-173-050	AIR FILTER CPL.	1	1	1		Nylon
2	86	195-151-300	PLUG	1	1	1		
2	89	195-118-694	HOOD CPL. BLACK	1	1	1		
2	91	195-118-080	PROTECTION FILM	1	1	1		
2	92	195-118-141	INSERT	1	1	1		
2	92	195-118-140	INSERT	1		1		
2	93	195-155-031	GUIDE	1	1	1		
2	94	266605-8	H.L. SOCKET HEAD BOLT	3	3	3		
2	94	908-005-165	H.L. SOCKET HEAD BOLT	3	3	3		
2	95	980-114-928	LABEL	1	1	1		

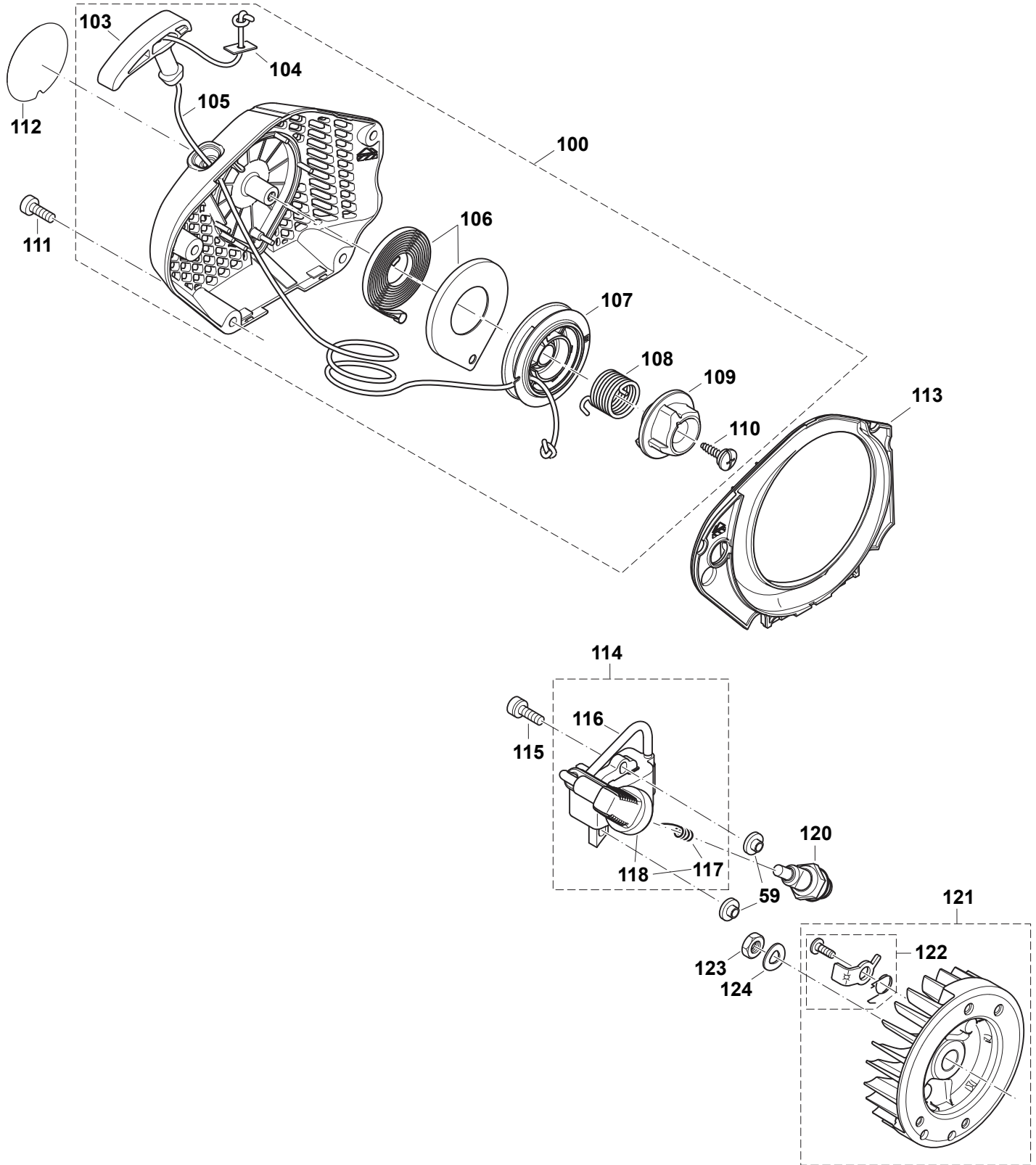


Products with multiple versions are listed in subsiding order with the newest version on top not indented.

Section	Fig. No.	Part No.	Description	EA4300F40B	EA4300FR	PS-421	Tech Bulletin	Notes
3	46	326675-0	CONNECTING LINK	1	1	1		
3	46	038-174-030	CONNECTING LINK	1	1	1		
3	48	266605-8	H.L. SOCKET HEAD BOLT	2	2	2		
3	48	908-005-165	H.L. SOCKET HEAD BOLT	2	2	2		
3	49	909-005-105	SCREW	2	2	2		
3	50	266606-6	H.L. SOCKET HEAD BOLT	1	1	1		
3	50	908-305-405	H.L. SOCKET HEAD BOLT	1	1	1		
3	52	195-174-280	SPARK ARRESTER SCREEN	1	1	1		
3	54	195-174-550	MUFFLER	1	1	1		
3	55	346304-9	GASKET	1	1	1		
3	55	165-174-060	GASKET	1	1	1		
3	55	195-174-060	GASKET	1	1	1		
3	59	195-143-030	ISOLATING WASHER	2	2			Black
3	60	195-131-202	CYLINDER / PISTON CPL.	1	1	1		
3	61	957-132-020	PISTON CPL.	1	1	1		
3	61	195-132-100	PISTON CPL.	1		1		
3	62	195-132-020	PISTON RING	1	1	1		
3	63	195-132-030	PISTON PIN	1	1	1		
3	64	195-132-050	SPRING RING	2	2	2		
3	65	266960-8	H.L. SOCKET HEAD BOLT	4	4	4		
3	65	908-405-205	H.L. SOCKET HEAD BOLT	4	4	4		
3	66	346925-7	GASKET	1	1	1		
3	66	195-131-130	GASKET	1	1	1		
3	67	195-120-300	CRANKSHAFT CPL.	1	1	1		
3	68	960-123-129	COMBINATION BALL BEARING	2	2	2		
3	69	195-111-631	CRANKC. CL. SIDE BLUE	1				
3	69	195-111-612	CRANKC. CL. SIDE BLUE	1				
3	70	195-111-662	CRANKC. M. SIDE BLUE	1				
3	70	195-111-622	CRANKC. M. SIDE BLUE	1				
3	69	195-111-112	CRANKC. CL. SIDE RED		1	1		
3	70	195-111-161	CRANKCASE MAGN. SIDE RED		1	1		
3	70	195-111-151	CRANKCASE MAGN. SIDE RED			1		
3	71	936-430-160	CLAMPING PIN	2	2	2		
3	72	195-111-065	GASKET	1	1	1		
3	72	195-111-061	GASKET	1	1	1		

Products with multiple versions are listed in subsiding order with the newest version on top not indented.

Section	Fig. No.	Part No.	Description	EA4300F40B	EA4300FR	PS-421	Tech Bulletin	Notes
3	73	195-111-080	PROTECTION FILM	1	1	1		
3	74	346301-5	SPIKE BAR	1	1	1		
3	74	165-250-010	SPIKE BAR	1		1		
3	75	266605-8	H.L. SOCKET HEAD BOLT	2	2	2		
3	75	908-005-165	H.L. SOCKET HEAD BOLT	2		2		
3	77	168504-9	VENT VALVE	1	1	1		
3	77	010-245-030	VENT VALVE	1		1		
3	78	266960-8	H.L. SOCKET HEAD BOLT	6	6	6		
3	78	908-405-205	H.L. SOCKET HEAD BOLT	6	6	6		
3	87	168507-3	TANK CAP CPL.	1	1	1		
3	87	181-114-202	TANK CAP CPL.	1		1		
3	88	213080-9	PACKING RING	2	2	2		
3	88	963-229-036	PACKING RING	2		2		
3	96	962-210-092	NEEDLE CAGE	1	1	1		
3	96	962-211-007	NEEDLE CAGE	1	1	1		

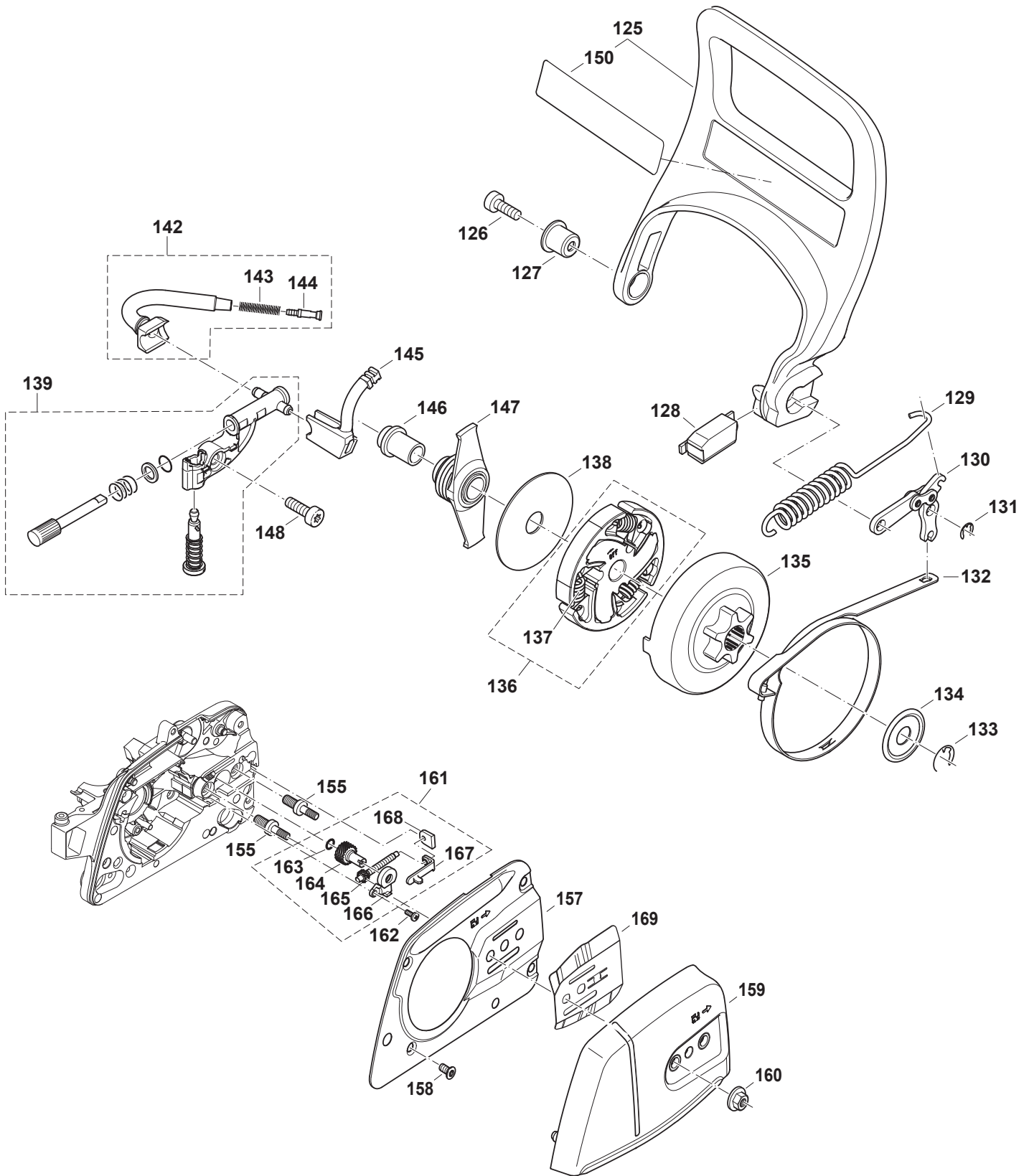


Products with multiple versions are listed in subsiding order with the newest version on top not indented.

Section	Fig. No.	Part No.	Description	EA4300F40B	EA4300FR	PS-421	Tech Bulletin	Notes
4	59	195-143-030	ISOLATING WASHER	2	2			
4	100	195-160-601	STARTER ASSY. BLUE	1				
4	100	195-160-600	STARTER ASSY. BLUE	1				
4	100	195-160-101	STARTER ASSY. RED		1	1		
4	100	195-160-100	STARTER ASSY. RED		1	1		
4	103	453783-5	STARTER GRIP	1	1	1		
4	103	195-160-070	STARTER GRIP	1		1		
4	104	195-160-080	WASHER	1		1		
4	105	444038-9	STARTER ROPE 900mm	1	1	1		
4	105	021-164-010	STARTER ROPE 900mm	1	1	1		
4	106	195955-3	REWIND SPRING	1	1	1		
4	106	195-160-110	REWIND SPRING	1		1		
4	107	453785-1	CABLE DRUM CPL.	1	1	1		
4	107	195-160-040	CABLE DRUM CPL.	1		1		
4	108	234253-1	SPRING	1	1	1		
4	108	195-160-030	SPRING	1	1	1		
4	109	195-160-020	STARTER WHEEL	1	1	1		
4	110	266777-9	SCREW	1	1	1		
4	110	195-160-010	SCREW	1		1		
4	111	266605-8	H.L. SOCKET HEAD BOLT	4	4	4		
4	111	908-005-165	H.L. SOCKET HEAD BOLT	4	4	4		
4	112	980-115-740	LABEL	1	1	1		
4	113	456137-5	AIR GUIDE PLATE	1	1	1		
4	113	195-118-040	AIR GUIDE PLATE	1	1	1		
4	114	195-143-202	IGNITION COIL CPL.	1	1	1		
4	114	195-143-200	IGNITION COIL CPL.	1	1	1		
4	115	908-805-205	SCREW	2	2	2		
4	116	970-502-110	ISOLATING HOSE	M	M	M		
4	117	965-604-180	SPRING	1	1	1		
4	118	957-604-220	PLUG CAP CPL.	1	1	1		
4	120	168599-2	SPARK PLUG	1	1	1		
4	120	965-603-040	SPARK PLUG	1		1		

Products with multiple versions are listed in subsiding order with the newest version on top not indented.

Section	Fig. No.	Part No.	Description	EA4300F40B	EA4300FR	PS-421	Tech Bulletin	Notes
4	121	143331-5	FLYWHEEL CPL.	1	1	1		
4	121	181-141-105	FLYWHEEL CPL.	1	1	1		
4	121	185-141-100	FLYWHEEL CPL.	1		1		
4	121	195-141-103	FLYWHEEL CPL.	1		1		
4	122	195-166-100	STARTER RATCHET CPL.	2	2	2		
4	123	920-308-024	HEXAGONAL NUT	1		1		
4	124	267822-3	SPRING WASHER	1	1	1		
4	124	926-208-001	SPRING WASHER	1		1		



Products with multiple versions are listed in subsiding order with the newest version on top not indented.

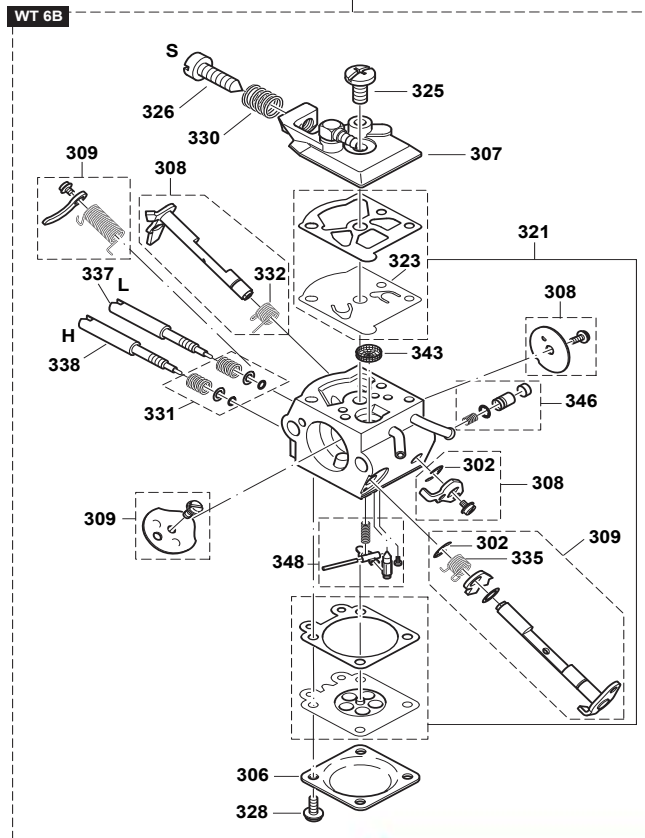
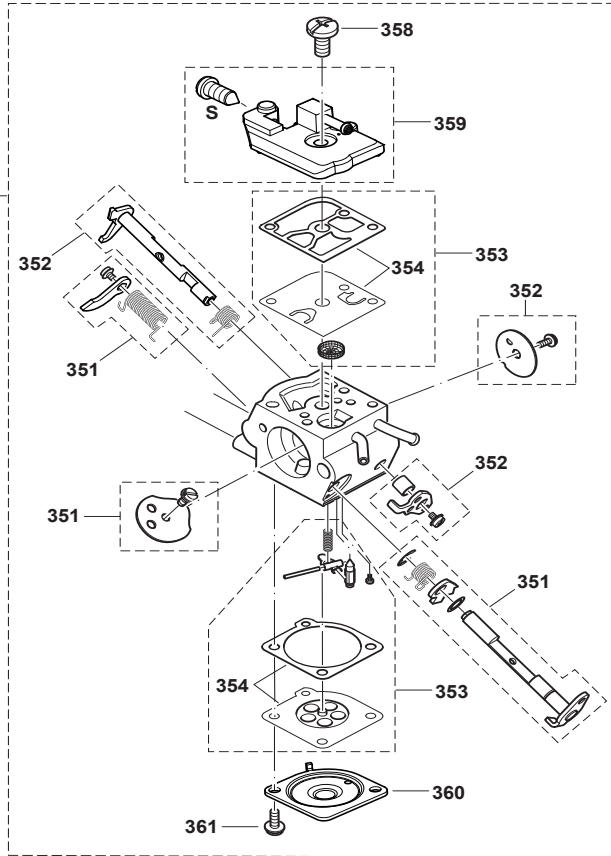
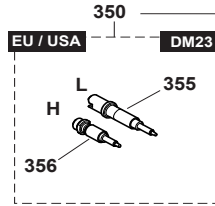
Section	Fig. No.	Part No.	Description	EA4300F40B	EA4300FR	PS-421	Tech Bulletin	Notes
5	125	195-213-500	HAND GUARD CPL.	1	1	1		
5	126	266605-8	H.L. SOCKET HEAD BOLT	1	1	1		
5	126	908-005-165	H.L. SOCKET HEAD BOLT	1		1		
5	127	181-213-320	BUSHING	1	1	1		
5	128	181-213-170	HANDGUARD GUIDE, CPL.	1	1	1		
5	129	181-213-023	TENSION SPRING	1	1	1		
5	129	181-213-022	TENSION SPRING	1	1	1		
5	130	163500-2	BRAKING MECHANISM	1	1	1		
5	130	181-213-100	BRAKING MECHANISM	1	1	1		
5	131	961011-9	SAFETY WASHER	1	1	1		
5	131	257934-0	SAFETY WASHER	1	1	1		
5	131	927-304-000	SAFETY WASHER	1	1	1		
5	132	346029-5	BRAKE SPRING	1	1	1		
5	132	181-213-011	BRAKE SPRING	1	1	1		
5	133	259045-7	WASHER	1	1	1		
5	133	927-408-000	WASHER	1	1	1		
5	134	267820-7	DISC	1	1	1		
5	134	181-224-081	DISC	1	1	1		
5	135	195-223-312	CLUTCH DRUM CPL	1	1	1		
5	135	195-223-311	CLUTCH DRUM CPL.	1		1		3/8"
5	136	181-180-300	CLUTCH ASSY.	1	1	1		
5	136	175-180-101	CLUTCH ASSY.	1		1		
5	137	181-184-020	SPRING	3		3		
5	137	024-184-021	SPRING	3	3	3		
5	138	001-182-042	DISC	1	1	1		
5	139	161346-0	OIL PUMP CPL.	1	1	1		
5	139	179-245-202	OIL PUMP CPL.	1		1		
5	139	179-245-201	OIL PUMP CPL.	1		1		
5	142	181-245-300	SUCTION LINE	1	1	1		
5	142	181-245-100	SUCTION LINE	1	1	1		
5	143	231975-4	SPRING	1	1	1		
5	143	021-245-060	SPRING	1		1		
5	144	001-245-020	HOSE STEM	1	1	1		
5	145	424178-9	PRESSURE LINE	1	1	1		

Products with multiple versions are listed in subsiding order with the newest version on top not indented.

Section	Fig. No.	Part No.	Description	EA4300F40B	EA4300FR	PS-421	Tech Bulletin	Notes
5	145	181-245-120	PRESSURE LINE	1	1	1		
5	146	195-245-010	BUSHING	1	1	1		
5	147	450956-1	PUMP DRIVE	1	1	1		
5	147	181-245-090	PUMP DRIVE	1	1	1		
5	148	266605-8	H.L. SOCKET HEAD BOLT	2	2	2		
5	148	908-005-165	H.L. SOCKET HEAD BOLT	2	2	2		
5	150	810449-4	LABEL	1	1	1		
5	150	185-114-237	LABEL	1	1	1		
5	150	980-114-237	LABEL	1		1		
5	155	266978-9	BOLT	2	2	2		
5	155	195-232-010	BOLT	2	2	2		
5	157	346927-3	COVER	1	1	1		
5	157	195-213-190	COVER	1	1	1		
5	158	266477-1	SCREW	2	2	2		
5	158	908-105-126	SCREW	2	2	2		
5	159	195-213-602	SPROCKET GUARD CPL. BLUE	1				
5	159	161440-8	SPROCKET GUARD CPL. BLUE	1				
5	159	195-213-601	SPROCKET GUARD CPL. BLUE	1				
5	159	161792-7	SPROCKET GUARD CPL. RED		1	1		
5	159	195-213-102	SPROCKET GUARD CPL. RED		1	1		
5	159	195-213-101	SPROCKET GUARD CPL. RED		1	1		
5	160	252145-2	HAXAGONAL NUT	2	2	2		
5	160	923-208-004	HAXAGONAL NUT	2	2	2		
5	162	251480-5	SCREW	1	1	1		
5	162	915-535-100	SCREW	1	1	1		
5	163	963-207-020	PACKING RING	1	1	1		
5	164	181-213-250	ADJUSTING SCREW	1	1	1		
5	165	227743-1	TENSIONING SCREW	1	1	1		
5	165	181-213-230	TENSIONING SCREW	1	1	1		
5	166	452667-4	TRANSMISSION COVER	1	1	1		
5	166	185-213-270	TRANSMISSION COVER	1		1		
5	166	181-213-270	TRANSMISSION COVER	1		1		
5	167	347252-5	TENSION SLIDE	1	1	1		
5	167	346300-7	TENSION SLIDE	1	1	1		

Products with multiple versions are listed in subsiding order with the newest version on top not indented.

Section	Fig. No.	Part No.	Description	EA4300F40B	EA4300FR	PS-421	Tech Bulletin	Notes
5	167	165-213-240	TENSION SLIDE	1		1		
5	168	181-213-260	TENSIONING SCREW BEARING	1	1	1		
5	169	346518-0	GUIDE PLATE	1	1	1		
5	169	195-213-120	GUIDE PLATE	1		1		



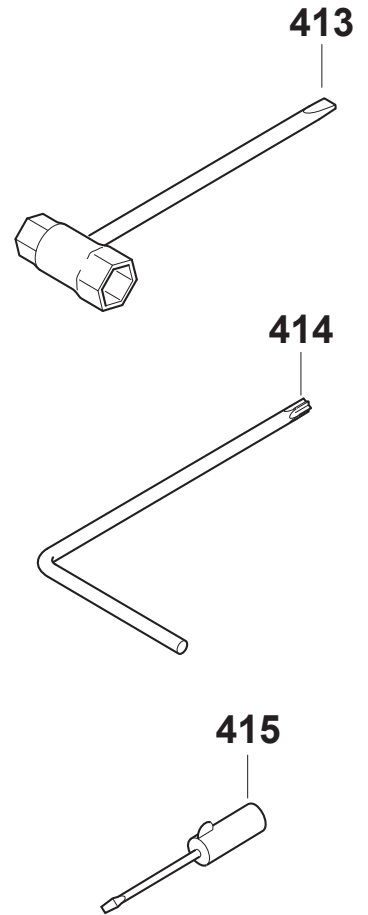
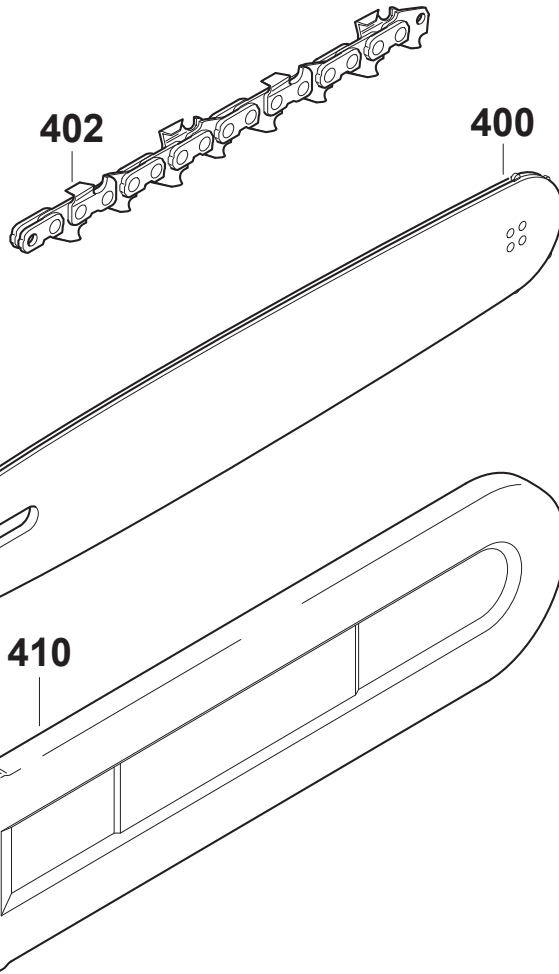
Products with multiple versions are listed in subsiding order with the newest version on top not indented.

Section	Fig. No.	Part No.	Description	EA4300F40B	EA4300FR	PS-421	Tech Bulletin	Notes
6	300	161371-1	CARBURETOR	1	1	1		
6	300	195-153-201	CARBURETOR	1	1	1		
6	300	195-153-200	CARBURETOR	1	1	1		
6	300	195-151-102	CARBURETOR			1		
6	302	119-151-350	SHAFT CLIP			1		
6	306	021-151-120	DIAPHRAGM COVER			1		
6	307	195-151-350	PUMP COVER CPL.			1		
6	308	957-151-200	KIT THROTTLE SHAFT			1		
6	309	957-151-210	KIT CHOKE SHAFT			1		
6	321	957-151-220	SET GASKETS / DIAPHRAGM			1		
6	323	021-151-150	PUMP DIAPHRAGM RUBBER			1		
6	325	118-151-190	SCREW			1		
6	326	378-151-210	IDLE SPEED SCREW			1		
6	328	378-151-220	SCREW			1		
6	330	021-151-230	COMPRESSION SPRING			1		
6	331	957-151-240	SET SPRINGS/WASHERS			1		
6	332	001-151-310	SPRING			1		
6	335	195-151-490	SPRING			1		
6	337	195-151-520	IDLE ADJUSTMENT SCREW			1		
6	338	195-151-530	MAIN ADJUSTMENT SCREW			1		
6	343	021-151-180	SCREEN			1		
6	346	957-151-070	ACCELERATOR			1		
6	348	957-151-230	SET OF CONTROL PARTS			1		
6	350	161371-1	CARBURETOR	1	1	1		
6	350	195-153-201	CARBURETOR	1	1	1		
6	350	195-153-200	CARBURETOR	1		1		
6	351	195-153-580	KIT CHOKE SHAFT	1	1	1		
6	352	195-153-570	KIT THROTTLE SHAFT	1	1	1		
6	353	195-153-510	REPAIR KIT	1	1	1		
6	354	195-153-500	SET GASKETS / DIAPHRAGM	1	1	1		
6	355	195-153-340	ADJUST SCREW	1	1	1		
6	356	195-153-350	ADJUST SCREW	1	1	1		
6	358	038-153-360	SCREW	1	1	1		
6	359	195-153-230	PUMP COVER CPL.	1	1	1		

Products with multiple versions are listed in subsiding order with the newest version on top not indented.

Section	Fig. No.	Part No.	Description	EA4300F40B	EA4300FR	PS-421	Tech Bulletin	Notes
6	360	195-153-360	DIAPHRAGM COVER	1	1	1		
6	361	001-153-020	SCREW	2	2	2		

3/8"



Products with multiple versions are listed in subsiding order with the newest version on top not indented.

Section	Fig. No.	Part No.	Description	EA4300F40B	EA4300FR	PS-421	Tech Bulletin	Notes
7	400	442-040-661	SPROCKET NOSE BAR	1	1			
7	400	412-040-661	SPROCKET NOSE BAR 16" 3/8 .050			1		
7	402	196208-3	SAW CHAIN	1	1	1		Makita
7	402	195400-8	SAW CHAIN	1	1	1		Makita
7	402	511-492-056	SAW CHAIN 16" 3/8 .050	1	1	1		Dolmar
7	410	419242-9	CHAIN PROTECTOR 14-16"	1	1	1		
7	413	941-713-161	UNIVERSAL WRENCH	1	1	1		
7	413	941-713-160	UNIVERSAL WRENCH	1	1	1		
7	414	782025-3	ANGLED SCREW DRIVER	1	1	1		
7	414	940-827-000	ANGLED SCREW DRIVER	1	1	1		
7	415	944-340-001	SCREWDRIVER	1	1	1		