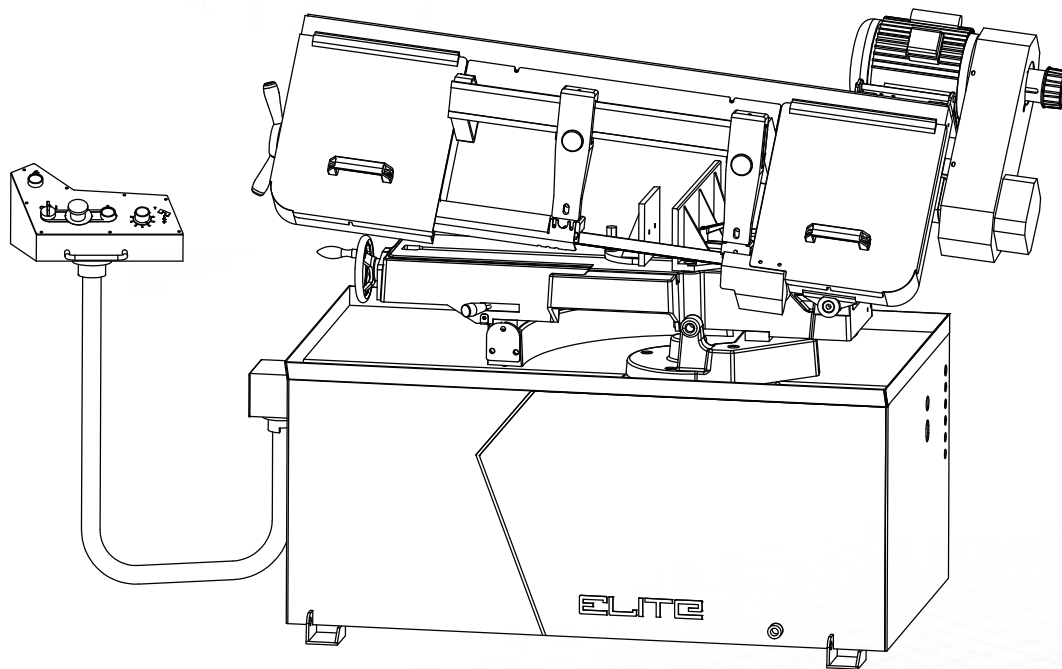


# ELITE

HIGH PERFORMANCE MACHINERY

Operating Instructions and Parts Manual  
Horizontal Band Saw  
Models EHB-916V | EHB-1018V

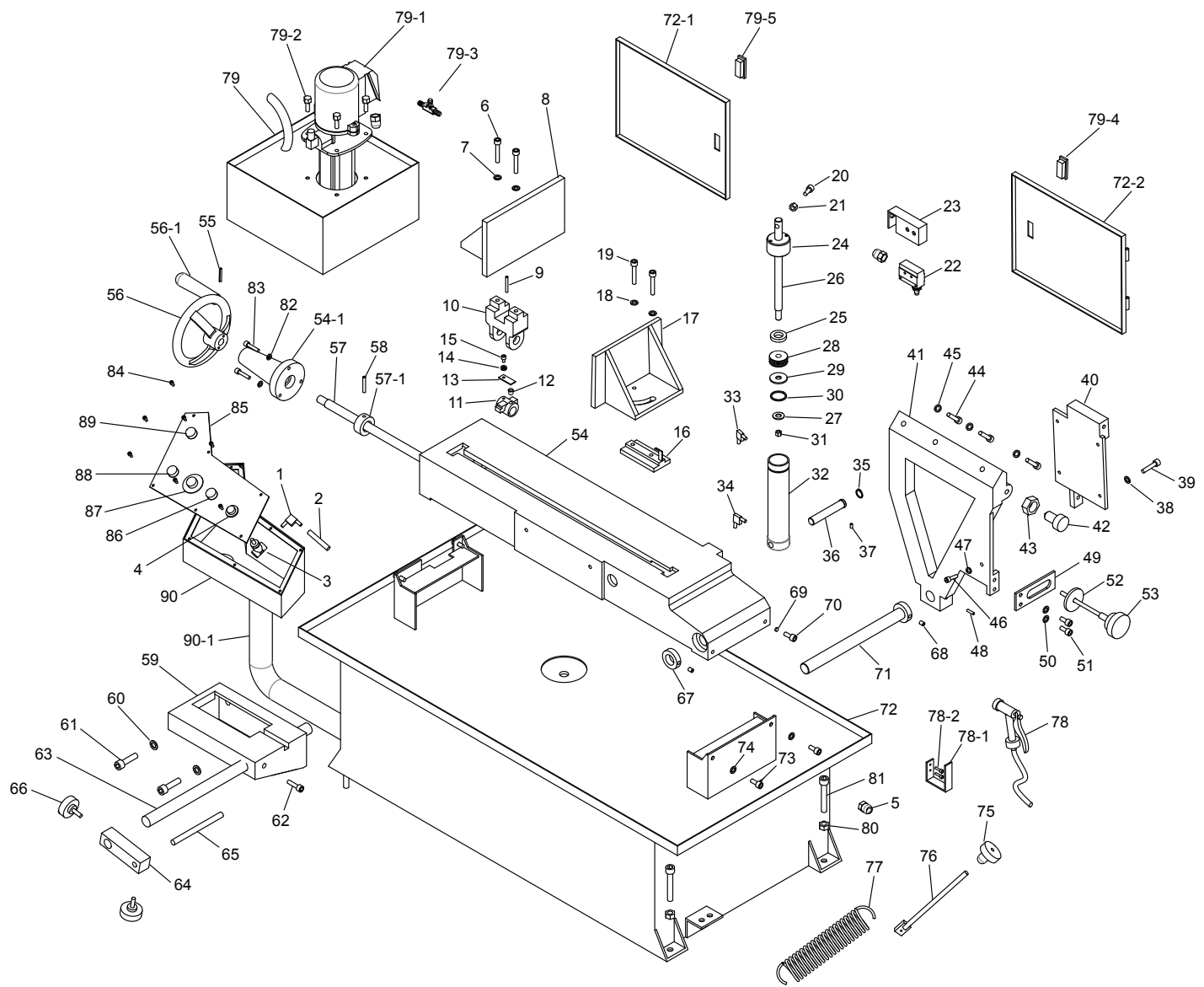


JET®  
427 New Sanford Road  
LaVergne, Tennessee 37086  
www.jettools.com  
Ph.: 855-336-4032

Part No. M-891050  
REV B1 07/2014  
Copyright © 2014 JET



# SAW STAND AND BED ASSEMBLY — EHB-916V



## PARTS LIST SAW STAND AND BED — EHB-916V

Index No.	Part No.	Description	Size	Qty.
1	EHB916V-64	Fitting		1
2	EHB916V-65	Tubing	5/16" × 65"	2
3	EHB916V-66	Valve	.	1
4	EHB916V-67	Feed Knob	.	1
5	EHB916V-101	Cable Glands	PG-11	5
6	TS-0209071	Socket Head Cap Screw	3/8 × 1-1/2"	2
7	EHB916V-191	Special Washer		2
8	EHB916V-192	Vise Jaw Bracket		1
9	EHB916V-193	Roll Pin	3/16 × 1-1/8"	1
10	EHB916V-194	Bracket		1
11	EHB916V-195	Acme Nut Assembly		1
12	EHB916V-196	Button		1
13	EHB916V-197	Retainer		1
14	TS-0680011	Flat Washer	3/16"	2
15	EHB916V-199	Round Head Screw	3/16" × 3/8"	1
16	EHB916V-200	Block		1
17	EHB916V-201	Vise Jaw Bracket (fixed)		1
18	EHB916V-191	Special Washer		2
19	TS-0209061	Socket Head Cap Screw	3/8 × 1-1/4"	2
20	TS-0070031	Hex Cap Screw	1/2-13 × 1-1/2"	1
21	TS-0561031	Hex Nut	3/8"	1
22	EHB916V-206	Limit Switch		1
23	EHB916V-207	Limit Switch Seat(Ser No.13100009 and lower)		1
	EHB916V-207N	Limit Switch Seat(Ser No.xxx0010 and higher)		1
	EHB916V-OHCA	Oil Hydraulic Cylinder Assembly (included #24-32)	1	
24	EHB916V-210	Cap		1
25	EHB916V-211	Oil Seal		1
26	EHB916V-213	Rod		1
27	TS-0680031	Flat Washer	5/16"	1
28	EHB916V-215	Piston		1
29	EHB916V-216	Seal		1
30	EHB916V-217	Inoin ring		1
31	TS-0561021	Hex Nut	5/16" × 18T	2
32	EHB916V-219	Tube Assembly		1
33	EHB916V-221	Tube fitting		1
34	EHB916V-222	Tube fitting		1
35	EHB916V-223	Retaining ring		1
36	EHB916V-224	Pivot shaft		1
37	EHB916V-225	Socket Set Screw	3/8"-16T × 3/8"	1
38	TS-0680031	Flat Washer	5/16"	4
39	TS-0051051	Hex Cap Screw	5/16 × 1"	4
40	EHB916V-232	Motor Plate		1
41	EHB916V-233	Rear Pivot Bracket		1
42	EHB916V-234	Special Socket Set Screw		2
43	EHB916V-235	Hex Nut	1/2"-12	2

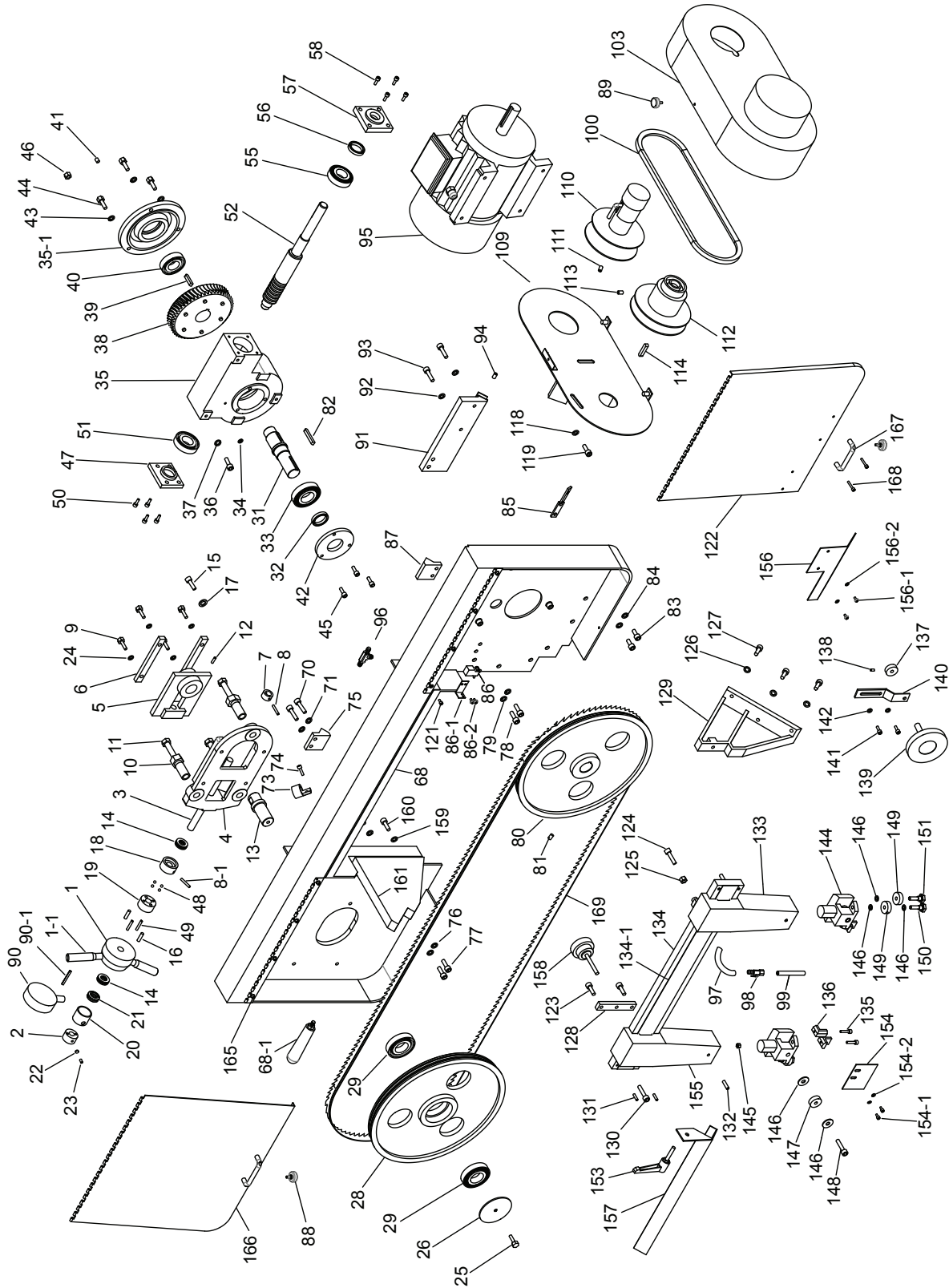


Index No.	Part No.	Description	Size	Qty.
44	TS-0209081	Socket Head Cap Screw	3/8"-16T × 1-3/4"	3
45	TS-0680041	Flat Washer	3/8"	3
46	TS-0050031	Hex Cap Screw	1/4-20T × 3/4"	1
47	TS-0680021	Flat Washer	1/4"	1
48	TS-0271051	Set Screw	3/8"-16 × 1/2"	1
49	EHB916V-241	Strap		1
50	TS-0680021	Flat Washer	1/4"	2
51	EHB916V-243	Hex Cap Screw	1/4-20T × 3/4"	2
52	EHB916V-26	Special Washer		1
53	EHB916V-245	Knob		1
54	EHB916V-247	Bed		1
54-1	EHB916V-247-1	Seat		1
55	EHB916V-248	Pin		1
56	EHB916V-249	Hand Wheel		1
56-1	EHB916V-249-1	Handle		1
57	EHB916V-252	Acme Screw		1
57-1	EHB916V-252-1	Collar		1
58	EHB916V-253	Roll Pin	6 ø × 30 ø	1
59	EHB1018V-254	Work Support		1
60	TS-0680041	Flat Washer	3/8"	2
61	TS-0060061	Hex Cap Screw	3/8" × 1-1/4"	2
	EHB1018V-SA	Adj. Stock Stop Assembly (included #62-66)		1
62	TS-0060061	Hex Cap Screw	3/8" × 1-1/4"	1
63	EHB1018V-258	Shaft	7/8"	1
64	EHB1018V-259	Stop Bracket		1
65	EHB1018V-260	Bar		1
66	EHB916V-261	Knob		2
67	EHB916V-265	Collar		2
68	TS-0271031	Set Screw	3/8-16T × 3/8"	4
69	EHB916V-267	Copper		2
70	TS-0271031	Socket Set Screw	3/8-16T × 3/8"	2
71	EHB916V-269	Pivot Shaft		1
72	EHB916V-272	Base Assembly		1
72-1	EHB916V-272-1	Door		1
72-2	EHB916V-272-2	Door		1
73	TS-0060031	Hex Cap Screw	3/8" × 3/4"	2
74	TS-0680041	Flat Washer	3/8"	2
75	EHB916V-275	Knob		1
76	EHB916V-276	Adjustable Bolt		1
77	EHB916V-277	Spring		1
78	EHB916V-278	Gun Set		1
78-1	EHB916V-278-1	Hook		1
78-2	EHB916V-278-2	Hex Cap Screw		2
79	EHB916V-281	Coolant Tank		1
79-1	EHB916V-281-1	Coolant Pump		1
79-2	EHB916V-281-2	Pan Head Machine Screw		4
79-3	EHB916V-96	3 Way Coolant Block		1

Index No.	Part No.	Description	Size	Qty.
79-4	EHB916V-281-4	Lock w/ key		1
79-5	EHB916V-281-5	Lock w/o key		1
80	EHB916V-283	Hex Nut	1/2"-12T	4
81	EHB916V-284	Hex Cap Screw	1/2" -12T x 2"	4
82	TS-0720081	Lock Washer	5/16"	3
83	TS-0051051	Hex Head Screw	5/16"-18 x 1"	3
84	EHB916V-289	Socket Head Button Screw	3/16" x 3/8"	8
85	EHB916V-300	Nameplate		1
86	EHB916V-301	Start Switch		1
87	EHB916V-302	Emergency Switch		1
88	EHB916V-303	Selection Switch		1
89	EHB916V-305	Indication Light For Power		1
90	EHB916V-306	Control Box		1
90-1	EHB916V-306-1	Tube		1



# SAW ARM ASSEMBLY — EHB-916V



## PARTS LIST SAW ARM — EHB-916V

Index No.	Part No.	Description	Size	Qty.
1	EHB916V-01	Handwheel		1
1-1	EHB916V-01-1	Handwheel handle		2
2	EHB916V-02	Collar		1
3	EHB916V-03	Shaft		1
4	EHB916V-04	Bracket		1
5	EHB916V-05	Slide		1
6	EHB916V-06	Gib		2
7	EHB916V-07	Collar		1
8	EHB916V-08	Roll pin	M5x30	2
8-1	EHB916V-08-1	Roll pin	M5x40	1
9	TS-0081031	Hex Cap Screw	5/16 x 3/4	4
10	EHB916V-10	Adjusting Screw	3/4 x 1-1/2	1
11	TS-0060111	Hex Cap Screw	3/8 x 2-1/2	1
12	TS-0271031	Set Screw	3/8" x 3/8	1
13	EHB916V-13	Spindle		1
14	BB-51103	Thrust bearing	51103	2
15	TS-0060061	Hex Cap Screw	3/8 x 1-1/4	1
16	EHB916V-16	Roll pin	5 x 30L	1
17	TS-0732061	Lock Washer	3/8"	1
18	EHB916V-18	Driven		1
19	EHB916V-19	Thrust Bearing Housing		1
20	EHB916V-20	Lock Nut		1
21	EHB916V-21	Disc Spring		6
22	EHB916V-22	Copper		1
23	TS-0267041	Set Screw	1/4 x 3/8	1
24	TS-0720081	Lock Washer	5/16"	1
25	TS-0060051	Hex Cap Screw	3/8" x 1"	1
26	EHB916V-26	Special Washer		1
28	EHB916V-28	Wheel L.H		1
29	BB6306ZZ	Bearing	6306ZZ	2
31	EHB916V-31	Output Shaft		1
32	EHB916V-32	Oil Seal	32.42.7.	1
33	BB-30207	Bearing		1
34	EHB916V-34	Oil Plug	1/8"	1
35	EHB916V-35	Gear Box housing	1	
35-1	EHB916V-35-1	Cover	1	
	EHB916V-GBCA	Gear Box Cover Assembly( included 35, 35-1)	1	
36	TS-0060081	Hex Cap Screw	3/8-16 x 3/4"	3
37	TS-0732061	Lock Washer	3/8"	3
38	EHB916V-38	Worm Gear		1
39	EHB916V-39	Key	7 x 7 x 35	1
40	BB-30206	Bearing		1
41	TS-0267121	Set Screw	1/4" x 3/4"	3
42	EHB916V-42	Cap		1
43	TS-0732061	Lock Washer	3/8"	3
44	TS-0060071	Hex Cap Screw	3/8"-16 x 1-1/2"	3



Index No.	Part No.	Description	Size	Qty.
45	TS-0207021	Socket Head Cap Screw	1/4"-20 × 5/8"	3
46	TS-0561011	Hex Nut	1/4"	3
47	EHB916V-47	Cap		1
48	SB-3/16	Steel Ball		2
49	TS-0270061	Set Screw	5/16"-18 × 5/8"	1
50	TS-0207021	Socket Head Cap Screw	1/4"-20 × 5/8"	4
51	BB-6004	Bearing	6004	1
52	EHB916V-52	Input Shaft		1
55	BB-3205	Bearing	3205	1
56	EHB916V-56	Oil Seal	25.35.7	1
57	EHB916V-57	Cap		1
58	TS-0207021	Socket Head Cap Screw	1/4"-20 × 5/8"	4
68	EHB916V-68	Bow Frame		1
68-1	EHB916V-68-1	Frame Handle		1
70	TS-0081031	Hex Cap Screw	5/16" x 3/4"	2
71	TS-0680031	Flat Washer	5/16"	2
73	EHB916V-73	Tube Retainer		2
74	EHB916V-74	Round Head Screw	3/16" x 3/8"	2
75	EHB916V-75	Bracket (Left Side)		1
76	TS-0680031	Flat Washer	5/16"	2
77	TS-0081031	Hex Cap Screw	5/16" x 3/4"	2
78	TS-0081031	Hex Cap Screw	5/16" x 3/4"	2
79	TS-0680031	Flat Washer	5/16"	2
80	EHB916V-80	Drive Wheel.		1
81	TS-0271032	Socket Set Screw	3/8-24 × 3/8"	1
82	EHB916V-82	Key	7 × 7 × 40	1
83	TS-0081031	Hex Cap Screw	5/16-18 × 3/4"	2
84	TS-0720081	Lock Washer	5/16"	2
85	EHB916V-85	Bracket		1
86	EHB916V-86	Sensor		1
86-1	EHB916V-86-1	Sensor seat		1
86-2	EHB916V-86-2	Screw		2
87	EHB916V-75	Bracket		1
88	EHB916V-88	Knob		2
89	EHB916V-88	Knob		1
90	EHB916V-90	Blade Tension Gauge		1
90-1	EHB916V-90-1	Pin		1
91	EHB916V-91	Front Pivot Bracket		1
92	TS-0732061	Lock Washer	3/8"	3
93	TS-0060081	Hex Cap Screw	3/8-16 × 3/4"	3
94	TS-0271051	Socket Set Screw	3/8-16 × 1/2"	1
95	EHB916V-95	Motor	1-1/2Hp, 115/230V	1
96	EHB916V-96	3 Way Coolant Block		1
97	EHB916V-97	Hose		2
98	EHB916V-98	Valve		2
99	EHB916V-99	Hose Clamp		2
100	EHB916V-100	Belt		1
103	EHB916V-103	Upper Guard		1



Index No.	Part No.	Description	Size	Qty.
109	EHB916V-109	Lower Guard		1
110	EHB916V-110	Motor Pulley		1
111	TS-0270021	Socket Set Screw	5/16-18 x 5/16"	1
112	EHB916V-112	Pulley		1
113	TS-0270021	Socket Set Screw	5/16-18 x 5/16"	1
114	EHB916V-114	Key	5 x 5 x 40	1
118	TS-0720081	Lock Washer	5/16"	2
119	EHB916V-119	Hex Head Screw	5/16"-20 x 3/4"	2
121	EHB916V-121	Round Head Screw	#10-3/16 x 3/8"	4
122	EHB916V-122	Cover R.H		1
123	TS-0255041	Socket Head Button Screw	5/16" x 18 x 3/4"	4
124	TS-0060051	Hex Cap Screw	3/8" x 16 x 1	1
125	TS-0561031	Hex Nut	3/8" x 16	1
126	TS-0680041	Lock Washer	3/8"	3
127	TS-0060081	Hex Cap Screw	3/8 x 16 x 3/4"	3
128	EHB916V-128	Stationary plate		2
129	EHB916V-129	Bracket		1
130	TS-0209071	Socket Head Cap Screw	3/8"-16 x 1-1/2"	2
131	TS-0267071	Set Screw	1/4"-20 x 3/4"	4
132	TS-0270061	Set Screw	5/16"-18 x 5/8"	1
133	EHB916V-133	Bracket-R.H.		1
134	EHB916V-134	Slide		1
134-1	EHB916V-134-1	Scale		1
135	EHB916V-135	Screw	3/16"-24 x 7/8"	4
136	EHB916V-136	Carbide Guide		4
137	EHB916V-137	Collar		2
138	TS-0267021	Set Screw	1/4"x1/4"	2
139	EHB916V-139	Wire Brush		1
140	EHB916V-140	Brush Support		1
141	TS-0207021	Socket Head Cap Screw	1/4"-20 x 5/8"	2
142	TS-0680021	Flat Washer	1/4" x 19 x 2.0	2
144	EHB916V-144	Guide		2
145	TS-0561021	Hex Nut	5/16"-18T	2
146	TS-0680041	Flat Washer	3/8"	4
147	BB6200ZZ	Bearing	6200 ZZ	1
148	EHB916V-148	Special Screw	M10 x 30	1
149	BB6200ZZ	Bearing	6200 ZZ	2
150	EHB916V-150	Special Screw		1
151	EHB916V-151	Special Screw		1
153	EHB916V-153	Adjustable Handle		1
154	EHB916V-154	Guide Cover		1
154-1	EHB916V-154-1	Screw		2
154-2	TS-0680011	Washer		2
155	EHB916V-155	Bracket-L.H.		1

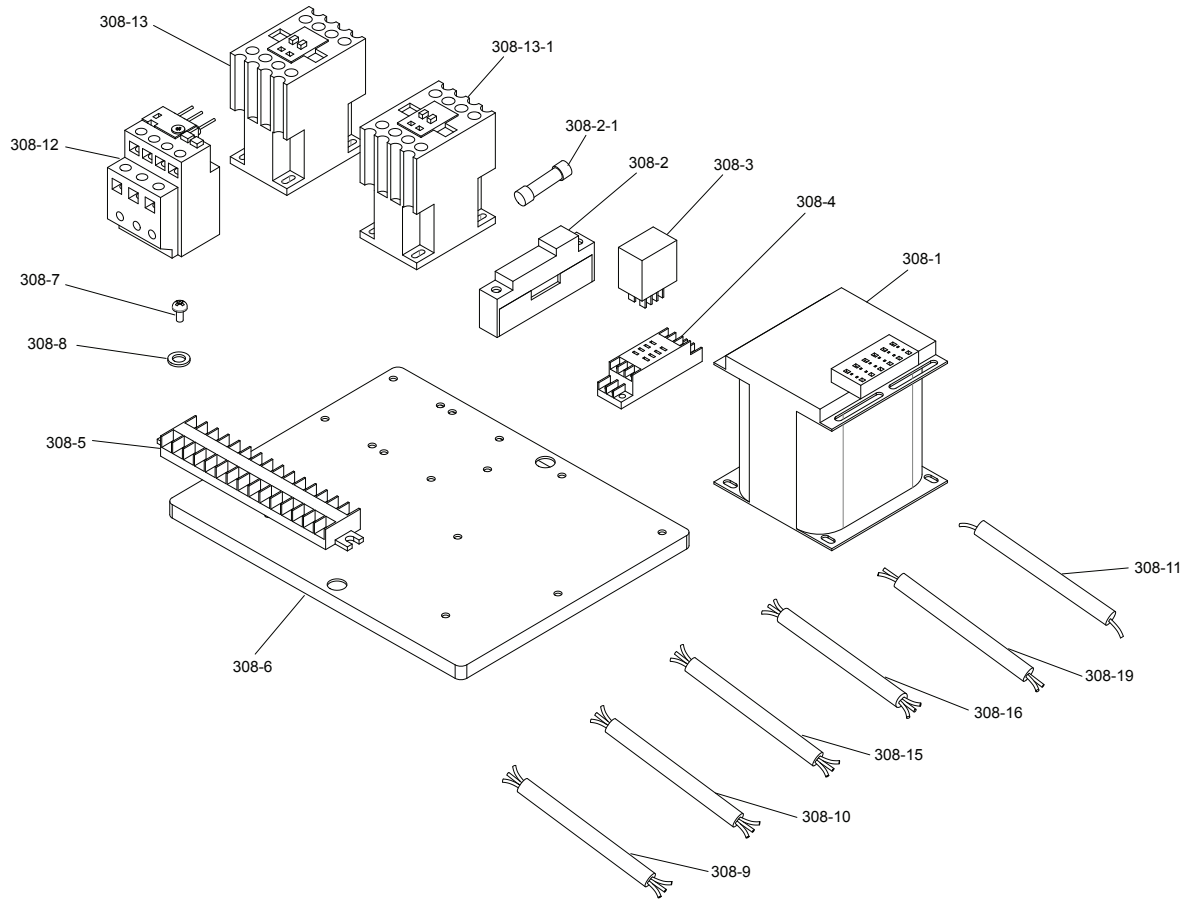


---

Index No.	Part No.	Description	Size	Qty.
156	EHB916V-156	Blade Cover		1
156-1	EHB916V-156-1	Screw		2
156-2	TS-0680011	Washer		2
157	EHB916V-157	Blade Cover		1
158	EHB916V-158	Special Knob		1
159	TS-0680041	Flat Washer	3/8"	3
160	EHB916V-160	Hex Head Screw	3/8 x 16 x 3/4"	3
161	EHB916V-161	Bracket		1
165	EHB916V-165	Round Head Screw	3/16 x 3/8"	4
166	EHB916V-166	Cover L.H		1
167	EHB916V-167	Handle		2
168	TS-081F051	Phillips Screw	1/4"-20 x 3/4"	4
169	891095	Blade	1"x 0.035" x 128-1/2" (4/6T)	1



## ELECTRIC ASSEMBLY — EHB-916V



## PARTS LIST ELECTRICAL BOX — EHB-916V

Index No.	Part No.	Description	Size	Qty.
308-1	EHB916V-308-1	Transformer	115/230/110V	1
308-2	EHB916V-308-2	Fuse Blocks	32A	1
308-2-1	EHB916V-308-2-1	Fuse	3A	1
308-3	EHB916V-308-3	Relay	100/110VAC	1
308-4	EHB916V-308-4	Relay Socket	CT-BMY2	1
308-5	EHB916V-308-5	Terminal Block		5
308-6	EHB916V-308-6	Electrical Plate		1
308-7	EHB916V-308-7	Round Head Screw	3/16" x 3/8"	30
308-8	TS-0680011	Washer	3/16"	30
308-9	EHB916V-308-9	Power Cable		1
308-10	EHB916V-308-10	Control Wire		1
308-11	EHB916V-308-11	Ground Cable	Yellow/Green	1
308-12	EHB916V-308-12	Overload Relay	RHU-10K1	1
308-13	EHB916V-308-13	Magnetic Contactor	CU-11 110V	1
308-13-1	EB916V-308-13-1	Magnetic Contactor	CU-16 110V	1
308-15	EHB916V-308-15	Motor Cable		1
308-16	EHB916V-308-16	Pump Cable		1
308-19	EHB916V-308-19	Limit Switch Cable		1