



PARTS BREAKDOWN

EK7301

PC-7414

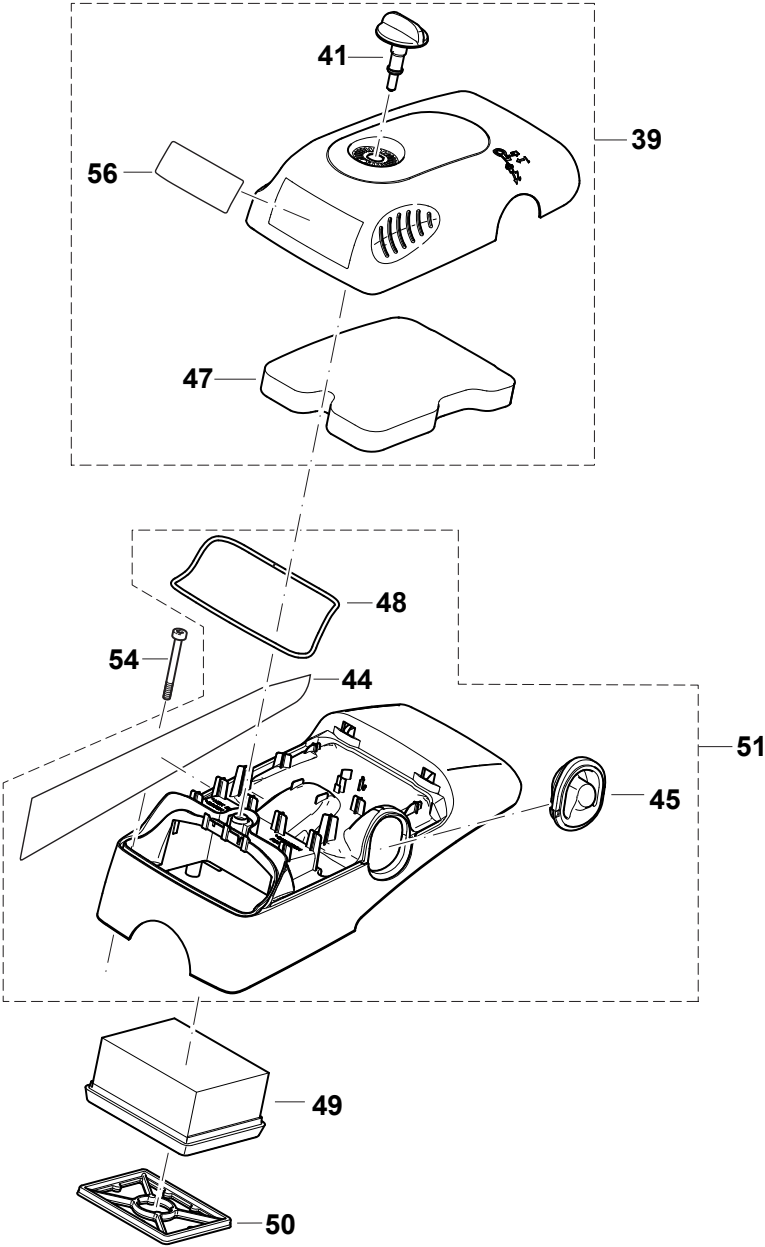
PC-7412

Products with multiple versions are listed in subsiding order with the newest version on top not indented.

| Section | Fig. No. | Part No. | Description | EK7301 | PC-7414 | PC-7412 | Tech Bulletin | Notes |
|---------|----------|-------------|---------------------------------|--------|---------|---------|---------------|-------|
| 1 | 5 | 394-114-101 | SCREW PLUG | 4 | 4 | 4 | | |
| 1 | 5 | 394-114-100 | SCREW PLUG | 4 | 4 | 4 | | |
| 1 | 6 | 394-114-070 | RUBBER FOOT | 1 | 1 | 1 | | |
| 1 | 11 | 010-114-010 | SUCTION HEAD | 1 | 1 | 1 | | |
| 1 | 11 | 963-601-122 | SUCTION HEAD | 1 | 1 | 1 | | |
| 1 | 12 | 963-601-240 | FELT | 1 | 1 | 1 | | |
| 1 | 14 | 965-404-913 | FUEL LINE, DPC6400 | 1 | 1 | 1 | | |
| 1 | 14 | 965-404-912 | FUEL LINE, DPC6400 | 1 | 1 | 1 | | |
| 1 | 14 | 965-404-911 | FUEL LINE | 1 | 1 | 1 | | |
| 1 | 15 | 395-310-600 | BRACKET | 1 | 1 | 1 | | |
| 1 | 16 | 424695-9 | RUBBER BUFFER | 1 | 1 | 1 | | |
| 1 | 16 | 965-403-535 | RUBBER BUFFER | 1 | 1 | 1 | | |
| 1 | 17 | 424695-9 | RUBBER BUFFER | 1 | 1 | 1 | | |
| 1 | 17 | 965-403-535 | RUBBER BUFFER | 1 | 1 | 1 | | |
| 1 | 18 | 424695-9 | RUBBER BUFFER | 1 | 1 | 1 | | |
| 1 | 18 | 965-403-535 | RUBBER BUFFER | 1 | 1 | 1 | | |
| 1 | 19 | 965-403-535 | RUBBER BUFFER | 1 | 1 | 1 | | |
| 1 | 20 | 394-114-281 | AXLE | 1 | 1 | 1 | | |
| 1 | 21 | 394-114-281 | AXLE | 1 | 1 | 1 | | |
| 1 | 22 | 394-114-281 | AXLE | 1 | 1 | 1 | | |
| 1 | 23 | 900-005-078 | WASHER | 1 | 1 | 1 | | |
| 1 | 24 | 900-005-078 | WASHER | 1 | 1 | 1 | | |
| 1 | 25 | 913-455-454 | SCREW | 1 | 1 | 1 | | |
| 1 | 26 | 913-455-454 | SCREW | 1 | 1 | 1 | | |
| 1 | 27 | 913-455-454 | SCREW | 1 | 1 | 1 | | |
| 1 | 28 | 913-455-204 | SCREW | 2 | 2 | 2 | | |
| 1 | 29 | 266606-6 | SCREW | 1 | 1 | 1 | | |
| 1 | 29 | 908-305-405 | SCREW | 1 | 1 | 1 | | |
| 1 | 30 | 395-310-020 | POT | 1 | 1 | 1 | | |
| 1 | 31 | 394-310-101 | WRAP AROUND HANDLE CPL,, EK7301 | 1 | 1 | 1 | | |
| 1 | 31 | 394-310-100 | WRAP AROUND HANDLE | 1 | 1 | 1 | | |
| 1 | 32 | 395-250-020 | FOOT, EK7301 | 1 | 1 | 1 | | |
| 1 | 32 | 394-114-190 | FOOT | 1 | 1 | 1 | | |
| 1 | 33 | 980-115-215 | LABEL | 1 | 1 | 1 | | |
| 1 | 34 | 913-455-454 | SCREW | 2 | 2 | 2 | | |

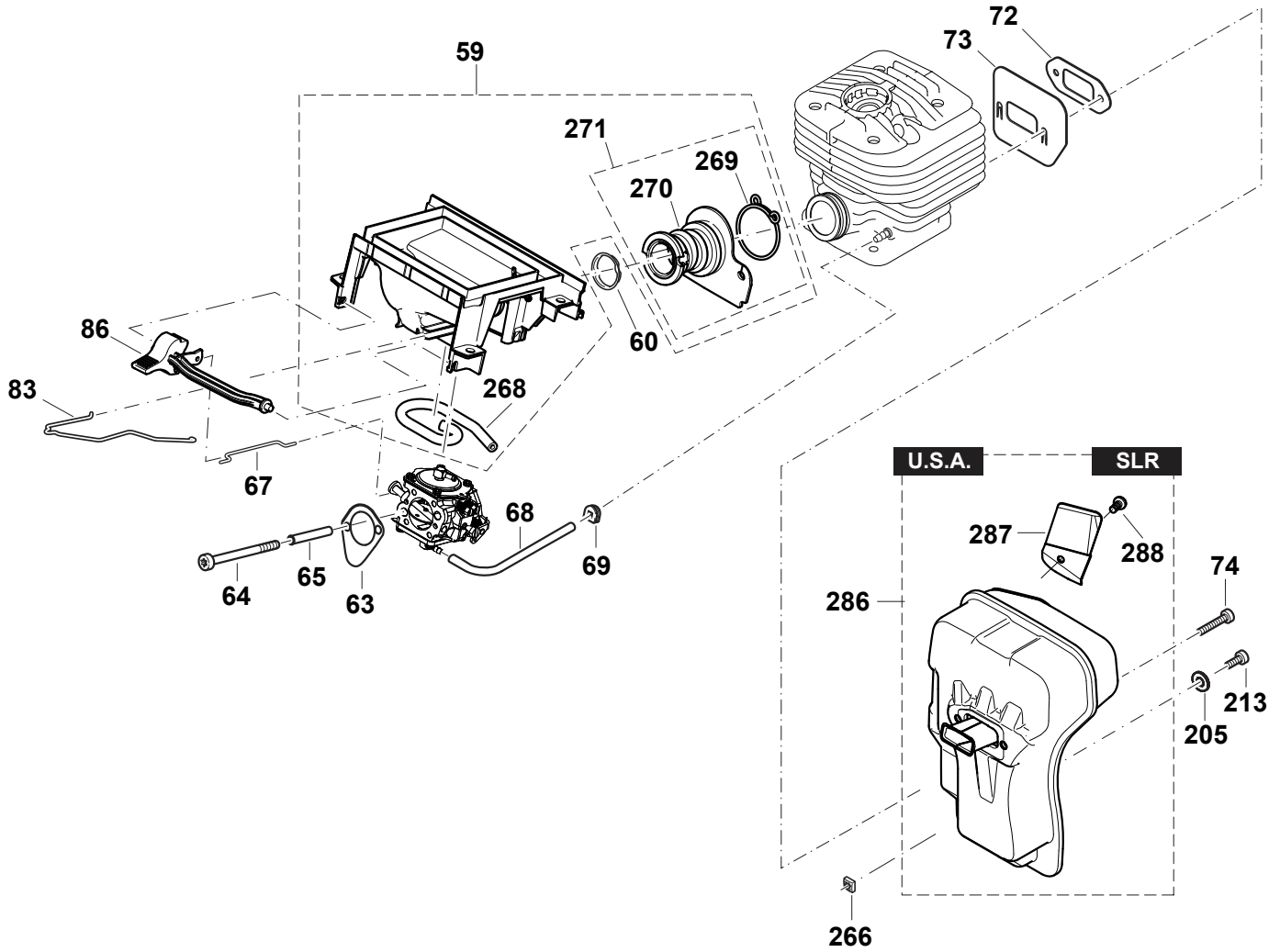
Products with multiple versions are listed in subsiding order with the newest version on top not indented.

| Section | Fig. No. | Part No. | Description | EK7301 | PC-7414 | PC-7412 | Tech Bulletin | Notes |
|---------|----------|-------------|--------------------------|--------|---------|---------|---------------|--------|
| 1 | 35 | 394-114-271 | FOOT CPL. | 1 | 1 | 1 | | |
| 1 | 37 | 394-114-230 | ROLLER | 2 | 2 | 2 | | |
| 1 | 38 | 394-114-240 | BUSHING | 2 | 2 | 2 | | |
| 1 | 79 | 123321-4 | TANK CPL. BLUE | 1 | | | | |
| 1 | 79 | 395-114-641 | TANK CPL. BLUE | 1 | | | | MAKITA |
| 1 | 79 | 395-114-640 | TANK CPL. BLUE | 1 | | | | MAKITA |
| 1 | 79 | 395-114-600 | TANK CPL., BLUE | 1 | | | | MAKITA |
| 1 | 79 | 395-114-111 | TANK CPL., RED | | 1 | 1 | | DOLMAR |
| 1 | 80 | 957-117-040 | THROTTLE MECHANISM, CPL. | 1 | 1 | 1 | | |
| 1 | 81 | 195762-4 | AIR VALVE SET | 1 | 1 | 1 | | |
| 1 | 81 | 170-175-010 | AIR VALVE CPL. | 1 | 1 | 1 | | |
| 1 | 83 | 326497-8 | THROTTLE LINKAGE | 1 | 1 | 1 | | |
| 1 | 83 | 395-117-011 | THROTTLE LINKAGE | 1 | 1 | 1 | | |
| 1 | 83 | 395-117-010 | THROTTLE LINKAGE | 1 | 1 | 1 | | |
| 1 | 208 | 908-006-355 | SCREW | 2 | 2 | 2 | | |
| 1 | 209 | 908-905-165 | SCREW | 4 | 4 | 4 | | |
| 1 | 214 | 900-005-076 | WASHER | 1 | 1 | 1 | | |
| 1 | 215 | 395-114-300 | ANGULAR UNION ASSY. | 1 | 1 | 1 | | |
| 1 | 216 | 168507-3 | TANK CAP CPL. | | | | | |
| 1 | 216 | 181-114-202 | TANK CAP CPL. | 1 | 1 | 1 | | |
| 1 | 217 | 213080-9 | PACKING RING | 2 | 2 | 2 | | |
| 1 | 217 | 963-229-036 | PACKING RING | 2 | 2 | 2 | | |



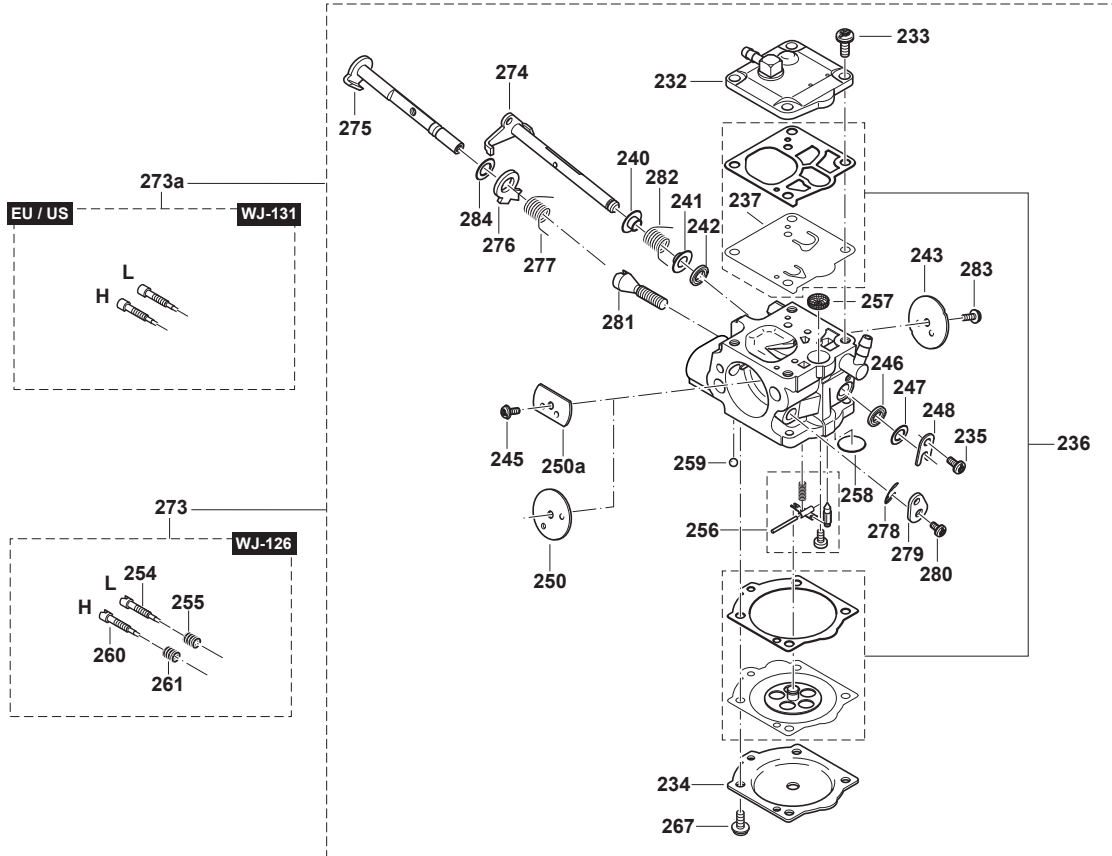
Products with multiple versions are listed in subsiding order with the newest version on top not indented.

| Section | Fig. No. | Part No. | Description | EK7301 | PC-7414 | PC-7412 | Tech Bulletin | Notes |
|---------|----------|-------------|---------------------|--------|---------|---------|---------------|-------|
| 2 | 39 | 123309-4 | COVER ASS'Y, EK8100 | 1 | 1 | 1 | | |
| 2 | 39 | 395-118-122 | COVER ASS'Y, EK8100 | 1 | 1 | 1 | | |
| 2 | 39 | 395-118-121 | COVER ASSY. | 1 | 1 | 1 | | |
| 2 | 41 | 266692-7 | FIXING | 1 | 1 | 1 | | |
| 2 | 41 | 395-118-010 | FIXING | 1 | 1 | 1 | | |
| 2 | 45 | 395-118-050 | RUBBER PART | 1 | 1 | 1 | | |
| 2 | 47 | 395-173-081 | PREFILTER, EK7301 | 1 | 1 | 1 | | |
| 2 | 47 | 395-173-080 | PREFILTER | 1 | 1 | 1 | | |
| 2 | 48 | 395-118-021 | PACKING RING | 1 | 1 | 1 | | |
| 2 | 49 | 424701-0 | AIR FILTER | 1 | 1 | 1 | | |
| 2 | 49 | 395-173-011 | AIR FILTER | 1 | 1 | 1 | | |
| 2 | 49 | 395-173-010 | AIR FILTER | 1 | 1 | 1 | | |
| 2 | 50 | 395-173-021 | INNER FILTER | 1 | 1 | 1 | | |
| 2 | 50 | 395-173-020 | INNER FILTER | 1 | 1 | 1 | | |
| 2 | 51 | 395-118-083 | HOOD CPL., EK7301 | 1 | 1 | 1 | | |
| 2 | 54 | 908-605-505 | SCREW | 4 | 4 | 4 | | |
| 2 | 55 | 980-115-560 | LABEL | 1 | 1 | 1 | | |
| 2 | 56 | 980-114-999 | LABEL | 1 | 1 | 1 | | |



Products with multiple versions are listed in subsiding order with the newest version on top not indented.

| Section | Fig. No. | Part No. | Description | EK7301 | PC-7414 | PC-7412 | Tech Bulletin | Notes |
|---------|----------|-------------|-------------------------|--------|---------|---------|---------------|-------|
| 3 | 59 | 395-171-072 | CONNECTING MUFF CPL. | 1 | 1 | 1 | | |
| 3 | 60 | 024-131-032 | INSERT FOR SUCTION HOSE | 1 | 1 | 1 | | |
| 3 | 63 | 965-518-120 | GASKET | 1 | 1 | 1 | | |
| 3 | 64 | 908-204-555 | SCREW | 2 | 2 | 2 | | |
| 3 | 65 | 970-502-050 | TUBE | 1 | 1 | 1 | | |
| 3 | 67 | 394-150-042 | CHOKE SHAFT | 1 | 1 | 1 | | |
| 3 | 68 | 965-452-382 | TUBE | 1 | 1 | 1 | | |
| 3 | 69 | 965-401-016 | RUBBER BUSH | 1 | 1 | 1 | | |
| 3 | 72 | 395-174-120 | GASKET | 1 | 1 | 1 | | |
| 3 | 73 | 395-174-110 | COOLING PLATE | 1 | 1 | 1 | | |
| 3 | 74 | 266960-8 | SCREW | 2 | 2 | 2 | | |
| 3 | 74 | 908-405-205 | SCREW | 2 | 2 | 2 | | |
| 3 | 83 | 326497-8 | THROTTLE LINKAGE | 1 | 1 | 1 | | |
| 3 | 83 | 395-117-011 | THROTTLE LINKAGE | 1 | 1 | 1 | | |
| 3 | 83 | 395-117-010 | THROTTLE LINKAGE | 1 | 1 | 1 | | |
| 3 | 86 | 957-395-001 | CHOKE LEVER | 1 | 1 | 1 | 2012-15 | |
| 3 | 86 | 395-150-011 | CHOKE LEVER | 1 | 1 | 1 | | |
| 3 | 205 | 928-405-000 | DISC | 1 | 1 | 1 | | |
| 3 | 213 | 908-005-125 | SCREW | 1 | 1 | 1 | | |
| 3 | 266 | 038-111-060 | SQUARE NUT | 1 | 1 | 1 | | |
| 3 | 268 | 395-171-024 | TUBE | 1 | 1 | 1 | | |
| 3 | 269 | 038-131-070 | HOSE CLIP | 1 | 1 | 1 | | |
| 3 | 270 | 394-131-200 | SUCTION HOSE | 1 | 1 | 1 | | |
| 3 | 271 | 394-131-210 | SUCTION HOSE | 1 | 1 | 1 | | |
| 3 | 286 | 395-174-200 | MUFFLER | 1 | 1 | 1 | | |
| 3 | 287 | 395-174-140 | SPARK ARRESTER SCREEN | 1 | 1 | 1 | | |
| 3 | 288 | 913-242-100 | ALLEN SCREW | 1 | 1 | 1 | | |

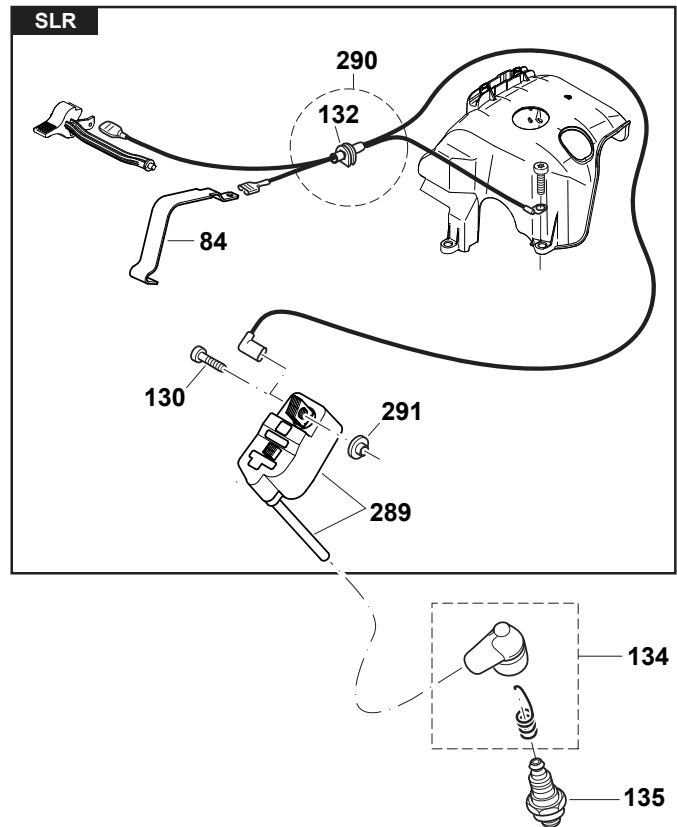
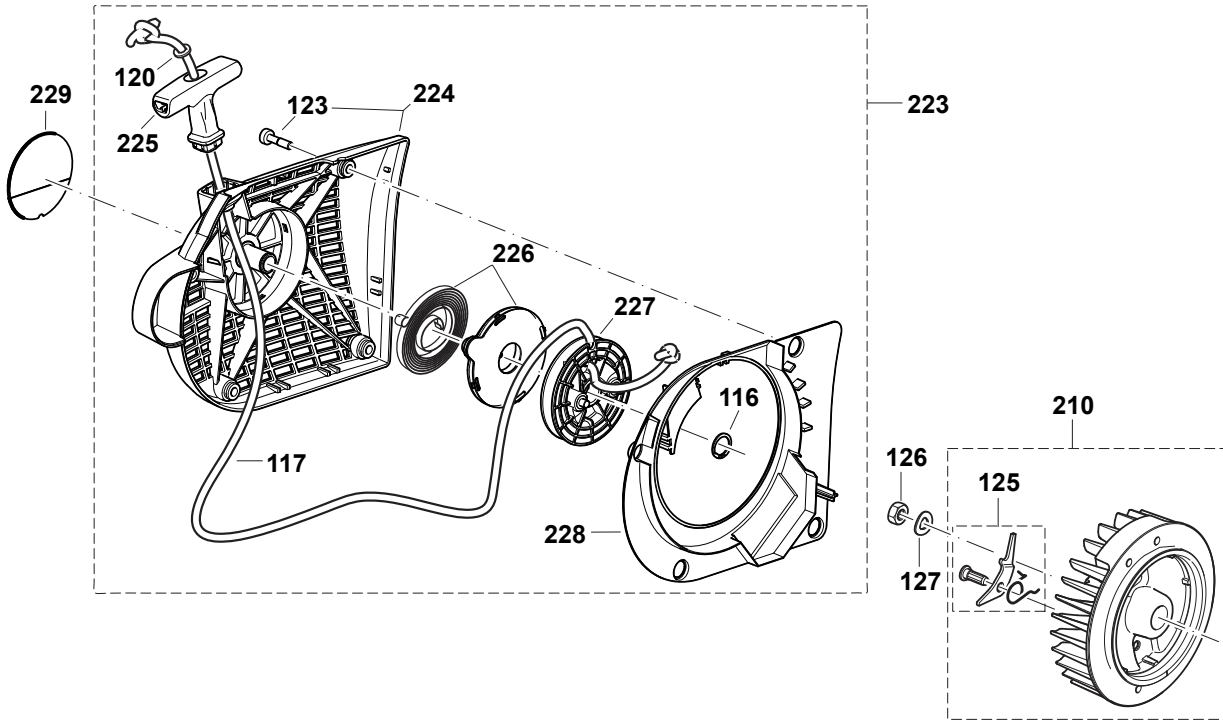


Products with multiple versions are listed in subsiding order with the newest version on top not indented.

| Section | Fig. No. | Part No. | Description | EK7301 | PC-7414 | PC-7412 | Tech Bulletin | Notes |
|---------|----------|-------------|------------------------------------|--------|---------|---------|---------------|----------------------|
| 4 | 232 | 394-151-160 | PUMP COVER CPL. | 1 | 1 | 1 | | |
| 4 | 233 | 144-150-170 | SCREW | 4 | 4 | 4 | | |
| 4 | 234 | 395-151-120 | DIAPHRAGM COVER | 1 | 1 | 1 | | |
| 4 | 235 | 378-151-220 | SCREW | 1 | 1 | 1 | | |
| 4 | 236 | 957-151-180 | SET DIAPHRAGM / GASKETS | 1 | 1 | 1 | | |
| 4 | 237 | 394-151-150 | PUMP DIAPHRAGM | 1 | 1 | 1 | | |
| 4 | 240 | 394-151-315 | BUSHING | 1 | 1 | 1 | | |
| 4 | 241 | 394-151-315 | BUSHING | 1 | 1 | 1 | | |
| 4 | 242 | 394-151-330 | PACKING RING | 1 | 1 | 1 | | |
| 4 | 243 | 394-151-320 | THROTTLE SHUTTER | 1 | 1 | 1 | | |
| 4 | 245 | 394-151-660 | SCREW | 1 | 1 | 1 | | |
| 4 | 246 | 394-151-330 | PACKING RING | 1 | 1 | 1 | | |
| 4 | 247 | 394-151-400 | DISC, DPC8112 | 1 | 1 | 1 | | |
| 4 | 248 | 108-151-350 | SHAFT CLIP | 1 | 1 | 1 | | |
| 4 | 250 | 395-151-265 | CHOKE SHUTTER | 1 | 1 | 1 | | |
| 4 | 250 | 395-151-260 | CHOKE SHUTTER | 1 | 1 | 1 | | |
| 4 | 250 | 394-151-260 | CHOKE SHUTTER | 1 | 1 | 1 | | |
| 4 | 254 | 394-151-470 | IDLE ADJUSTMENT SCREW | 1 | 1 | 1 | | NON REGULATED MARKET |
| 4 | 255 | 021-151-480 | SPRING | 1 | 1 | 1 | | NON REGULATED MARKET |
| 4 | 256 | 957-151-191 | CONTROL PARTS | 1 | 1 | 1 | | |
| 4 | 256 | 957-151-190 | CONTROL PARTS | 1 | 1 | 1 | | |
| 4 | 257 | 021-151-180 | SCREEN | 1 | 1 | 1 | | |
| 4 | 258 | 394-151-040 | COVER DISC | 1 | 1 | 1 | | |
| 4 | 259 | 394-151-510 | LOCKING BALL | 1 | 1 | 1 | | |
| 4 | 260 | 001-151-450 | MAIN ADJUSTM. SCREW | 1 | 1 | 1 | | NON REGULATED MARKET |
| 4 | 261 | 021-151-480 | SPRING | 1 | 1 | 1 | | NON REGULATED MARKET |
| 4 | 267 | 378-151-220 | SCREW | 4 | 4 | 4 | | |
| 4 | 273 | 161315-1 | CARBURETOR, EK7301,DPC7331,DPC8132 | 1 | 1 | 1 | | |
| 4 | 273 | 395-151-025 | CARBURETOR, EK7301,DPC7331,DPC8132 | 1 | 1 | 1 | | |
| 4 | 273 | 395-151-024 | CARBURETOR, EK7301,DPC7331,DPC8132 | 1 | 1 | 1 | | NON REGULATED MARKET |
| 4 | 273 | 395-151-013 | CARBURETOR WJ-126A, | 1 | 1 | 1 | | NON REGULATED MARKET |
| 4 | 274 | 395-151-130 | THROTTLE SHAFT | 1 | 1 | 1 | | |
| 4 | 275 | 395-151-170 | CHOKE SHAFT | 1 | 1 | 1 | | |

Products with multiple versions are listed in subsiding order with the newest version on top not indented.

| Section | Fig. No. | Part No. | Description | EK7301 | PC-7414 | PC-7412 | Tech Bulletin | Notes |
|---------|----------|-------------|------------------------------------|--------|---------|---------|---------------|-------|
| 4 | 276 | 395-151-110 | FAST IDLE LEVER | 1 | 1 | 1 | | |
| 4 | 277 | 395-151-190 | TORSION SPRING | 1 | 1 | 1 | | |
| 4 | 278 | 119-151-350 | SHAFT CLIP | 1 | 1 | 1 | | |
| 4 | 279 | 395-151-180 | CHOKE LEVER | 1 | 1 | 1 | | |
| 4 | 280 | 394-151-660 | SCREW | 1 | 1 | 1 | | |
| 4 | 281 | 395-151-140 | IDLE STOP SCREW | 1 | 1 | 1 | | |
| 4 | 282 | 395-151-150 | TORSION SPRING | 1 | 1 | 1 | | |
| 4 | 283 | 394-151-660 | SCREW, EK8100 | 1 | 1 | 1 | | |
| 4 | 283 | 395-151-160 | SCREW | 1 | 1 | 1 | | |
| 4 | 284 | 170-151-290 | WASHER | 1 | 1 | 1 | | |
| 4 | 301 | 161315-1 | CARBURETOR, EK7301,DPC7331,DPC8132 | 1 | 1 | 1 | | |
| 4 | 301 | 395-151-025 | CARBURETOR, EK7301,DPC7331,DPC8132 | 1 | 1 | 1 | | |

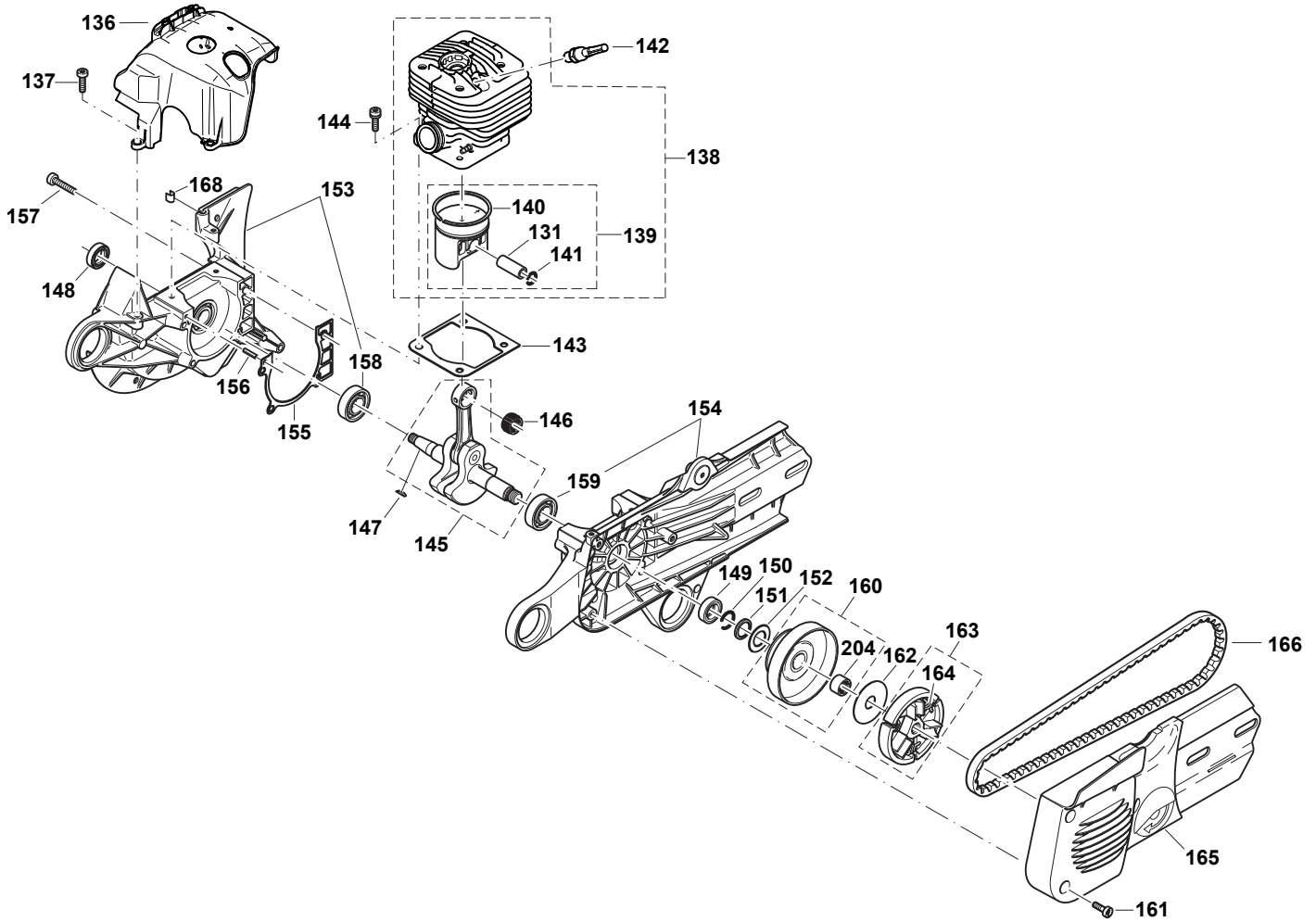


Products with multiple versions are listed in subsiding order with the newest version on top not indented.

| Section | Fig. No. | Part No. | Description | EK7301 | PC-7414 | PC-7412 | Tech Bulletin | Notes |
|---------|----------|-------------|-----------------------------|--------|---------|---------|---------------|------------------------|
| 5 | 84 | 957-395-001 | CONTACT SPRING | 1 | 1 | 1 | 2012-15 | |
| 5 | 84 | 395-146-011 | CONTACT SPRING | 1 | 1 | 1 | | |
| 5 | 116 | 929-314-100 | SNAP RING | 1 | 1 | 1 | | |
| 5 | 117 | 394-164-020 | STARTER ROPE BLACK | 1 | 1 | 1 | | |
| 5 | 117 | 122-164-010 | STARTER ROPE | 1 | 1 | 1 | | |
| 5 | 120 | 928-405-000 | DISC | 1 | 1 | 1 | | |
| 5 | 123 | 266607-4 | SCREW | 4 | 4 | 4 | | |
| 5 | 123 | 908-605-205 | SCREW | 4 | 4 | 4 | | |
| 5 | 125 | 031-166-010 | STARTER RATCHET CPL. | 2 | 2 | 2 | | Superseded to 123306-0 |
| 5 | 126 | 920-208-024 | HEXAGONAL NUT | 1 | 1 | 1 | | |
| 5 | 127 | 267822-3 | SPRING WASHER 8 | 1 | 1 | 1 | | |
| 5 | 127 | 926-208-001 | SPRING WASHER | 1 | 1 | 1 | | |
| 5 | 130 | 266607-4 | SCREW | 2 | 2 | 2 | | |
| 5 | 130 | 908-605-205 | SCREW | 2 | 2 | 2 | | |
| 5 | 132 | 965-401-016 | RUBBER BUSH | 1 | 1 | 1 | | |
| 5 | 134 | 957-604-260 | SPARK PLUG CAP CPL. | 1 | 1 | 1 | | |
| 5 | 135 | 965-603-021 | SPARK PLUG | 1 | 1 | 1 | | |
| 5 | 210 | 123306-0 | FLYWHEEL ASSY. | 1 | 1 | 1 | | |
| 5 | 210 | 394-141-100 | FLYWHEEL ASSY. | 1 | 1 | 1 | | |
| 5 | 210 | 394-141-090 | FLYWHEEL ASSY. | 1 | 1 | 1 | | |
| 5 | 223 | 123357-3 | STARTER ASS'Y BLUE, DPC7331 | 1 | | | | |
| 5 | 223 | 395-160-600 | STARTER ASS'Y BLUE, DPC7331 | 1 | | | | MAKITA |
| 5 | 223 | 395-160-100 | STARTER ASSY, RED | | 1 | 1 | | DOLMAR |
| 5 | 224 | 395-160-630 | STARTER CASE BLUE, DPC7331 | 1 | | | | MAKITA |
| 5 | 224 | 395-160-110 | STARTER CASE, RED | | 1 | 1 | | DOLMAR |
| 5 | 225 | 181-164-010 | STARTER KNOB | 1 | 1 | 1 | | |
| 5 | 226 | 181-163-050 | REWIND SPRING IN HOUSING | 1 | 1 | 1 | | |
| 5 | 227 | 395-162-020 | CABLE DRUM CPL. | 1 | 1 | 1 | | |
| 5 | 228 | 395-118-170 | AIR GUIDE PLATE | 1 | 1 | 1 | | |
| 5 | 229 | 980-115-742 | LABEL | | 1 | 1 | | DOLMAR |
| 5 | 289 | 161310-1 | IGNITION COIL | 1 | 1 | 1 | | |
| 5 | 289 | 395-143-010 | IGNITION COIL | 1 | 1 | 1 | | |

Products with multiple versions are listed in subsiding order with the newest version on top not indented.

| Section | Fig. No. | Part No. | Description | EK7301 | PC-7414 | PC-7412 | Tech Bulletin | Notes |
|---------|----------|-------------|-----------------|--------|---------|---------|---------------|-------|
| 5 | 290 | 965-605-514 | CABLE WITH PLUG | 1 | 1 | 1 | | |
| 5 | 290 | 965-605-513 | CABLE WITH PLUG | 1 | 1 | 1 | | |
| 5 | 290 | 965-605-512 | CABLE WITH PLUG | 1 | 1 | 1 | | |
| 5 | 291 | 195-143-031 | WASHER | 2 | 2 | 2 | | |
| 5 | 291 | 195-143-030 | WASHER | 2 | 2 | 2 | | |

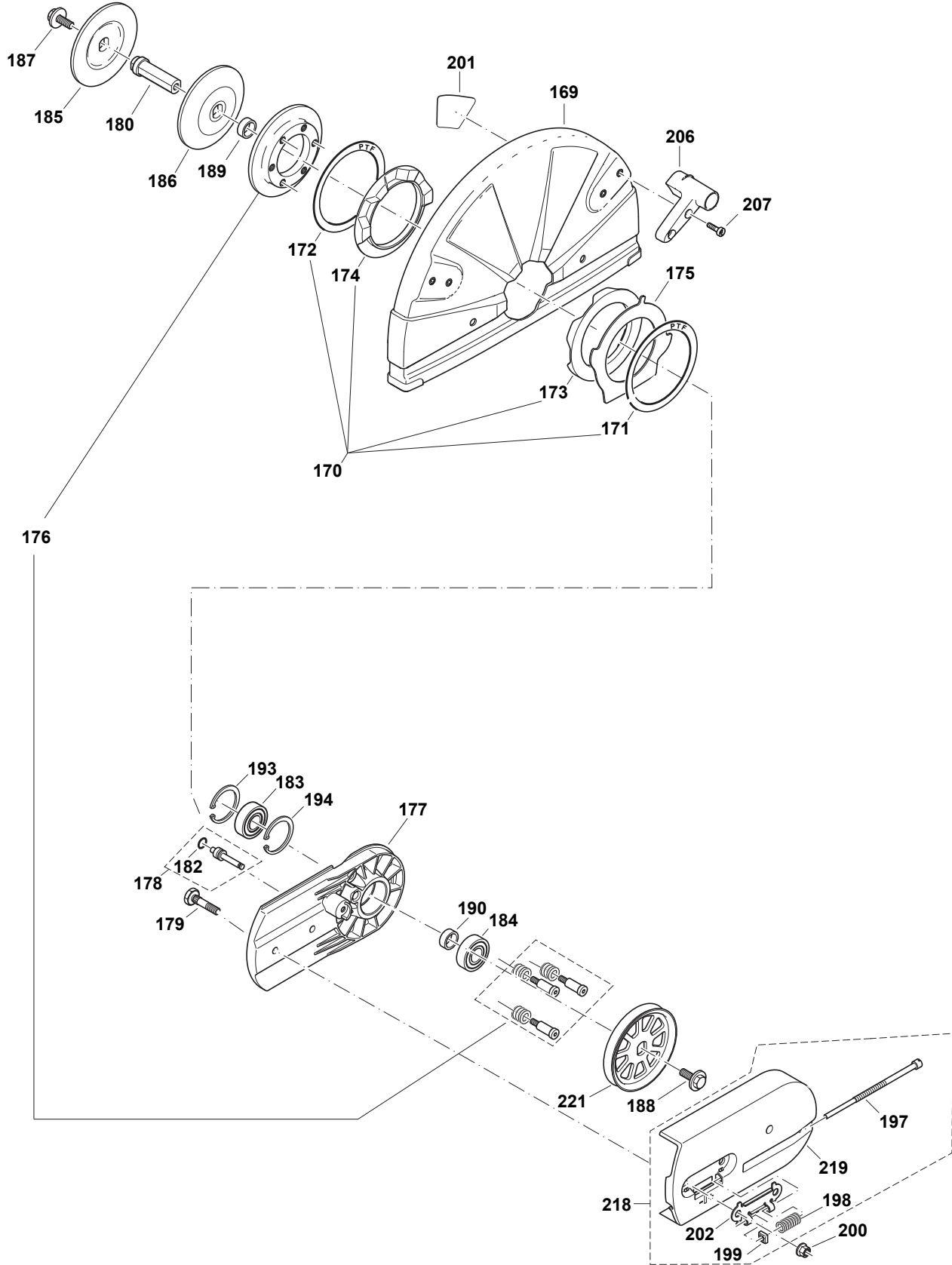


Products with multiple versions are listed in subsiding order with the newest version on top not indented.

| Section | Fig. No. | Part No. | Description | EK7301 | PC-7414 | PC-7412 | Tech Bulletin | Notes |
|---------|----------|-------------|-------------------------|--------|---------|---------|---------------|-------|
| 6 | 131 | 119-132-030 | PISTON PIN | 1 | 1 | 1 | | |
| 6 | 136 | 455819-6 | COOLING HOOD | 1 | 1 | 1 | | |
| 6 | 136 | 395-131-041 | COOLING HOOD | 1 | 1 | 1 | | |
| 6 | 136 | 395-131-040 | HOOD | 1 | 1 | 1 | | |
| 6 | 137 | 909-005-155 | BOLT | 3 | 3 | 3 | | |
| 6 | 138 | 183H02-0 | CYLINDER / PISTON, CPL. | 1 | 1 | 1 | | |
| 6 | 138 | 395-130-100 | CYLINDER / PISTON, CPL. | 1 | 1 | 1 | | |
| 6 | 139 | 395-132-050 | PISTON CPL. | 1 | 1 | 1 | | |
| 6 | 140 | 394-132-020 | PISTON RING | 1 | 1 | 1 | | |
| 6 | 141 | 119-132-060 | SPRING RING | 2 | 2 | 2 | | |
| 6 | 142 | 395-118-071 | VALVE | 1 | 1 | 1 | | |
| 6 | 143 | 965-531-160 | GASKET, METAL | 1 | 1 | 1 | | |
| 6 | 144 | 908-805-235 | SCREW | 4 | 4 | 4 | | |
| 6 | 145 | 395-120-100 | CRANKSHAFT CPL. | 1 | 1 | 1 | | |
| 6 | 145 | 395-120-010 | CRANKSHAFT CPL. | 1 | 1 | 1 | | |
| 6 | 146 | 962-210-121 | NEEDLE CAGE | 1 | 1 | 1 | | |
| 6 | 146 | 962-210-015 | NEEDLE CAGE | 1 | 1 | 1 | | |
| 6 | 147 | 939-630-370 | KEY | 1 | 1 | 1 | | |
| 6 | 148 | 962-900-052 | RADIAL RING | 1 | 1 | 1 | | |
| 6 | 149 | 962-900-052 | RADIAL RING | 1 | 1 | 1 | | |
| 6 | 150 | 930-916-160 | SPRING RING | 1 | 1 | 1 | | |
| 6 | 151 | 394-245-010 | STOP RING | 1 | 1 | 1 | | |
| 6 | 152 | 394-182-020 | GUIDE DISC | 1 | 1 | 1 | | |
| 6 | 153 | 395-111-110 | CRANKC., MAG. SIDE | 1 | 1 | 1 | | |
| 6 | 154 | 143225-4 | CRANKC., CLUTCH SIDE | 1 | 1 | 1 | | |
| 6 | 154 | 326-111-740 | CRANKC., CLUTCH SIDE | 1 | 1 | 1 | | |
| 6 | 155 | 965-531-111 | GASKET | 1 | 1 | 1 | | |
| 6 | 156 | 936-430-160 | CLAMPING PIN | 2 | 2 | 2 | | |
| 6 | 157 | 908-005-305 | SCREW | 5 | 5 | 5 | | |
| 6 | 158 | 960-102-152 | BALL BEARING (USE GLUE) | 1 | 1 | 1 | | |
| 6 | 158 | 960-102-159 | BALL BEARING (USE GLUE) | 1 | 1 | 1 | | |
| 6 | 159 | 960-102-152 | BALL BEARING (USE GLUE) | 1 | 1 | 1 | | |
| 6 | 159 | 960-102-159 | BALL BEARING (USE GLUE) | 1 | 1 | 1 | | |
| 6 | 160 | 394-223-025 | CLUTCH DRUM CPL. | 1 | 1 | 1 | | |

Products with multiple versions are listed in subsiding order with the newest version on top not indented.

| Section | Fig. No. | Part No. | Description | EK7301 | PC-7414 | PC-7412 | Tech Bulletin | Notes |
|---------|----------|-------------|--------------|--------|---------|---------|---------------|--------|
| 6 | 161 | 908-605-145 | SCREW | 3 | 3 | 3 | | |
| 6 | 162 | 001-182-042 | DISC | 1 | 1 | 1 | | |
| 6 | 163 | 123305-2 | CLUTCH ASSY. | 1 | 1 | 1 | | |
| 6 | 163 | 010-180-026 | CLUTCH ASSY. | 1 | 1 | 1 | | |
| 6 | 163 | 010-180-024 | CLUTCH ASSY. | 1 | 1 | 1 | | |
| 6 | 164 | 181-184-020 | SPRING | 3 | 3 | 3 | | |
| 6 | 164 | 024-184-021 | SPRING | 3 | 3 | 3 | | |
| 6 | 165 | 395-213-670 | COVER, BLUE | 1 | | | | MAKITA |
| 6 | 165 | 395-213-070 | COVER, RED | | 1 | 1 | | DOLMAR |
| 6 | 166 | 965-300-470 | V-BELT | 1 | 1 | 1 | | |
| 6 | 168 | 965-402-870 | RUBBER PLATE | 1 | 1 | 1 | | |
| 6 | 204 | 962-300-017 | NEEDLE BUSH | 1 | 1 | 1 | | |

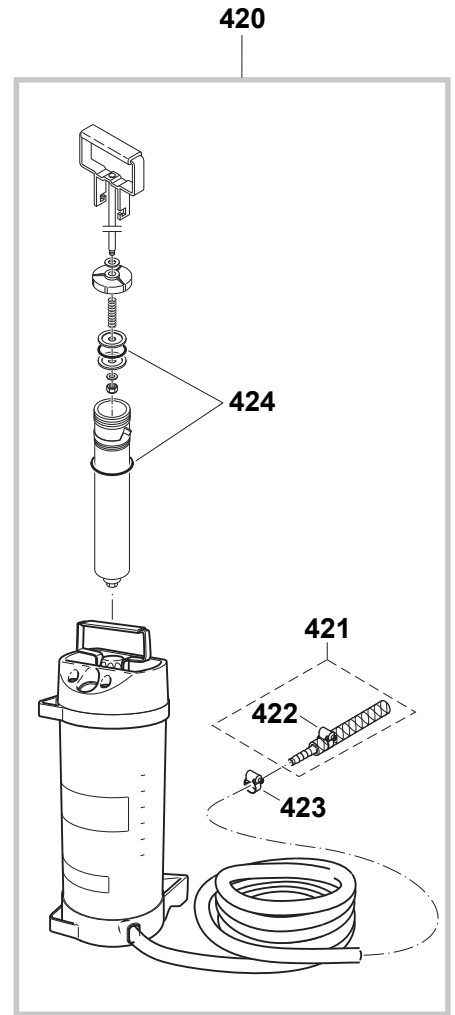
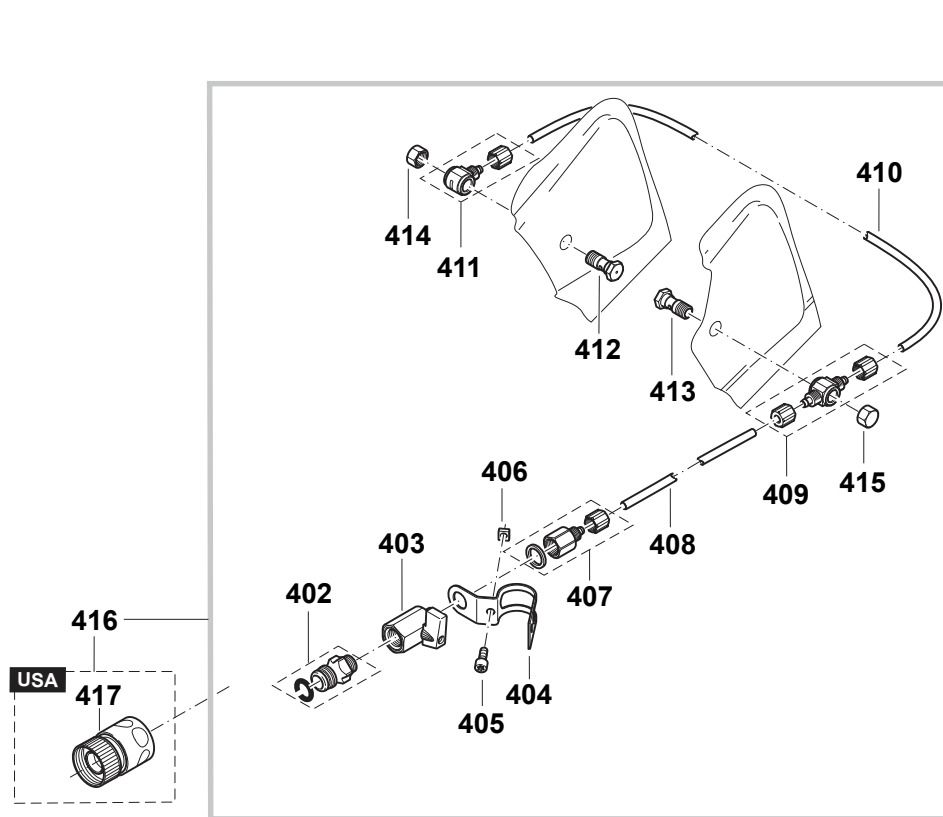
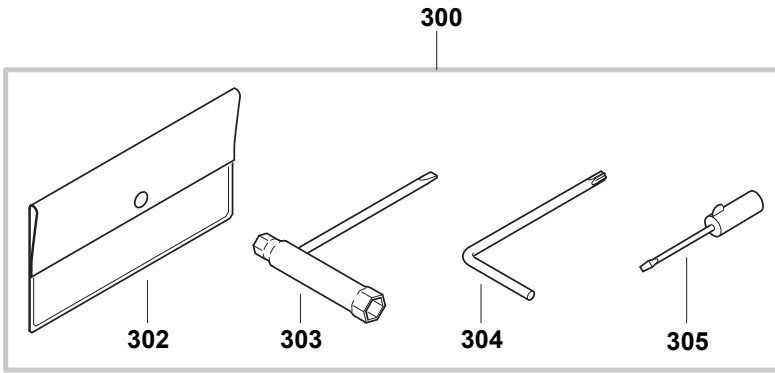


Products with multiple versions are listed in subsiding order with the newest version on top not indented.

| Section | Fig. No. | Part No. | Description | EK7301 | PC-7414 | PC-7412 | Tech Bulletin | Notes |
|---------|----------|-------------|----------------------|--------|---------|---------|---------------|-------------------------|
| 7 | 169 | 346458-2 | 14" HOOD | 1 | 1 | | | |
| 7 | 169 | 394-341-052 | 14" HOOD | 1 | 1 | | | |
| 7 | 169 | 394-341-051 | 14" HOOD | 1 | 1 | | | |
| 7 | 169 | 325-341-611 | 12" HOOD | | | 1 | | 12" HOOD |
| 7 | 170 | 957-342-011 | MOUNTING, CPL. | 1 | 1 | 1 | | |
| 7 | 171 | 442169-8 | SLIDING DISC | 1 | 1 | 1 | | |
| 7 | 171 | 394-342-180 | SLIDING DISC | 1 | 1 | 1 | | |
| 7 | 172 | 442169-8 | SLIDING DISC | 1 | 1 | 1 | | |
| 7 | 172 | 394-342-180 | SLIDING DISC | 1 | 1 | 1 | | |
| 7 | 173 | 965-404-900 | RUBBER RING EXT. | 1 | 1 | 1 | | |
| 7 | 174 | 965-404-920 | RUBBER RING INT. | 1 | 1 | 1 | | |
| 7 | 175 | 346455-8 | IMPACT PLATE | 1 | 1 | 1 | | |
| 7 | 175 | 394-342-160 | IMPACT PLATE | 1 | 1 | 1 | | |
| 7 | 176 | 394-342-211 | PRESSURE RING CPL. | 1 | 1 | 1 | | |
| 7 | 177 | 319286-8 | CUTTING ARM DEVICE | 1 | 1 | 1 | | |
| 7 | 177 | 394-211-740 | CUTTING DEVICE ASSY. | 1 | 1 | 1 | | KIT NO LONGER AVAILABLE |
| 7 | 178 | 394-342-190 | BOLT CPL. | 1 | 1 | 1 | | |
| 7 | 179 | 266688-8 | SCREW | 2 | 2 | 2 | | |
| 7 | 179 | 394-211-091 | SCREW | 2 | 2 | 2 | | |
| 7 | 180 | 394-228-101 | AXLE | 1 | 1 | 1 | | 20mm ARBOR |
| 7 | 180 | 394-228-111 | AXLE | 1 | 1 | 1 | | 25.4mm ARBOR |
| 7 | 182 | 213625-3 | PACKING RING | 1 | 1 | 1 | | |
| 7 | 182 | 963-209-020 | PACKING RING | 1 | 1 | 1 | | |
| 7 | 183 | 211490-4 | BALL BEARING | 1 | 1 | 1 | | |
| 7 | 183 | 211281-3 | BALL BEARING | 1 | 1 | 1 | | |
| 7 | 183 | 960-102-176 | BALL BEARING | 1 | 1 | 1 | | |
| 7 | 184 | 211490-4 | BALL BEARING | 1 | 1 | 1 | | |
| 7 | 184 | 211281-3 | BALL BEARING | 1 | 1 | 1 | | |
| 7 | 184 | 960-102-176 | BALL BEARING | 1 | 1 | 1 | | |
| 7 | 185 | 224478-5 | PRESSURE DISC | 1 | 1 | 1 | | |
| 7 | 185 | 224443-4 | PRESSURE DISC | 1 | 1 | 1 | | |
| 7 | 185 | 326-228-020 | PRESSURE DISC | 1 | 1 | 1 | | |
| 7 | 186 | 224478-5 | PRESSURE DISC | 1 | 1 | 1 | | |
| 7 | 186 | 224443-4 | PRESSURE DISC | 1 | 1 | 1 | | |
| 7 | 186 | 326-228-020 | PRESSURE DISC | 1 | 1 | 1 | | |

Products with multiple versions are listed in subsiding order with the newest version on top not indented.

| Section | Fig. No. | Part No. | Description | EK7301 | PC-7414 | PC-7412 | Tech Bulletin | Notes |
|---------|----------|-------------|------------------|--------|---------|---------|---------------|------------|
| 7 | 187 | 266690-1 | HEXAGONAL SCREW | 1 | 1 | 1 | | |
| 7 | 187 | 994-290-250 | HEXAGONAL SCREW | 1 | 1 | 1 | | |
| 7 | 187 | 994-280-250 | HEXAGONAL SCREW | 1 | 1 | 1 | | |
| 7 | 188 | 266690-1 | HEXAGONAL SCREW | 1 | 1 | 1 | | |
| 7 | 188 | 994-290-250 | HEXAGONAL SCREW | 1 | 1 | 1 | | |
| 7 | 188 | 994-280-250 | HEXAGONAL SCREW | 1 | 1 | 1 | | |
| 7 | 189 | 394-228-022 | SPACER | 1 | 1 | 1 | | |
| 7 | 189 | 394-228-021 | SPACER | 1 | 1 | 1 | | |
| 7 | 190 | 394-228-022 | SPACER | 1 | 1 | 1 | | |
| 7 | 190 | 394-228-021 | SPACER | 1 | 1 | 1 | | |
| 7 | 193 | 929-240-180 | SNAP RING | 1 | 1 | 1 | | |
| 7 | 194 | 929-240-180 | SNAP RING | 1 | 1 | 1 | | |
| 7 | 197 | 266691-9 | TENSIONING SCREW | 1 | 1 | 1 | | |
| 7 | 197 | 394-213-032 | TENSIONING SCREW | 1 | 1 | 1 | | |
| 7 | 198 | 394-342-120 | SPRING | 1 | 1 | 1 | | |
| 7 | 199 | 264112-5 | SQUARE NUT | 1 | 1 | 1 | | |
| 7 | 199 | 921-906-004 | SQUARE NUT | 1 | 1 | 1 | | |
| 7 | 200 | 252145-2 | HEXAGONAL NUT | 2 | 2 | 2 | | |
| 7 | 200 | 923-208-004 | HEXAGONAL NUT | 2 | 2 | 2 | | |
| 7 | 201 | 980-114-975 | SAFETY LABEL | 1 | 1 | | | 14" 25.4mm |
| 7 | 201 | 980-114-974 | SAFETY LABEL | 1 | 1 | | | 14" 20mm |
| 7 | 202 | 346457-4 | METAL SHEET | 1 | 1 | 1 | | |
| 7 | 202 | 394-213-021 | METAL SHEET | 1 | 1 | 1 | | |
| 7 | 206 | 452938-9 | GRIP | 1 | 1 | 1 | | |
| 7 | 206 | 326-341-301 | GRIP | 1 | 1 | 1 | | |
| 7 | 206 | 326-341-300 | GRIP | 1 | 1 | 1 | | |
| 7 | 207 | 908-605-165 | SCREW | 2 | 2 | 2 | | |
| 7 | 218 | 395-211-640 | COVER CPL., BLUE | 1 | | | | MAKITA |
| 7 | 218 | 395-211-040 | COVER CPL., RED | | 1 | 1 | | DOLMAR |
| 7 | 219 | 395-211-620 | COVER, BLUE | 1 | | | | MAKITA |
| 7 | 219 | 455823-5 | COVER, RED | | 1 | 1 | | DOLMAR |
| 7 | 219 | 395-211-020 | COVER, RED | | 1 | 1 | | |
| 7 | 221 | 222180-4 | BELT PULLEY | 1 | 1 | 1 | | |
| 7 | 221 | 394-221-050 | BELT PULLEY | 1 | 1 | 1 | | |



Products with multiple versions are listed in subsiding order with the newest version on top not indented.

| Section | Fig. No. | Part No. | Description | EK7301 | PC-7414 | PC-7412 | Tech Bulletin | Notes |
|---------|----------|-------------|------------------------|--------|---------|---------|---------------|-------|
| 8 | 300 | 957-004-006 | TOOLS CPL. | 1 | 1 | 1 | | |
| 8 | 302 | 950-004-002 | PLASTIK BAG | 1 | 1 | 1 | | |
| 8 | 303 | 941-719-141 | UNIVERSAL WRENCH | 1 | 1 | 1 | | |
| 8 | 304 | 782025-3 | ANGLED SCREW DRIVER | 1 | 1 | 1 | | |
| 8 | 305 | 944-340-001 | SCREWDRIVER | 1 | 1 | 1 | | |
| 8 | 306 | 394-228-121 | ADAPTER | 1 | 1 | 1 | | |
| 8 | 402 | 964-802-282 | HOSE CONNECTOR | 1 | 1 | 1 | | |
| 8 | 403 | 964-802-291 | SHUT OFF COCK | 1 | 1 | 1 | | |
| 8 | 404 | 394-365-163 | CLAMP | 1 | 1 | 1 | | |
| 8 | 404 | 394-365-160 | CLAMP | 1 | 1 | 1 | | |
| 8 | 405 | 909-006-145 | SCREW | 1 | 1 | 1 | | |
| 8 | 406 | 264112-5 | SQUARE NUT | 1 | 1 | 1 | | |
| 8 | 406 | 921-906-004 | SQUARE NUT | 1 | 1 | 1 | | |
| 8 | 407 | 964-802-410 | CONNECTING PIECE | 1 | 1 | 1 | | |
| 8 | 408 | 964-802-322 | HOSE, DT2000 | 1 | 1 | 1 | | |
| 8 | 409 | 964-802-332 | CONNECTING PIECE | 1 | 1 | 1 | | |
| 8 | 410 | 964-802-322 | HOSE | 1 | 1 | 1 | | |
| 8 | 411 | 964-802-342 | CONNECTING PIECE | 1 | 1 | 1 | | |
| 8 | 411 | 964-802-340 | CONNECTING PIECE | 1 | 1 | 1 | | |
| 8 | 412 | 964-802-352 | HOLLOW SCREW, BORED | 1 | 1 | 1 | | |
| 8 | 413 | 964-802-352 | HOLLOW SCREW, BORED | 1 | 1 | 1 | | |
| 8 | 414 | 964-802-362 | CAP NUT | 1 | 1 | 1 | | |
| 8 | 415 | 964-802-362 | CAP NUT | 1 | 1 | 1 | | |
| 8 | 416 | 394-365-631 | WATER ATTACHMENT KIT | 1 | 1 | 1 | | |
| 8 | 417 | 123120-4 | COUPLING SLEEVE | 1 | 1 | 1 | | |
| 8 | 417 | 964-802-400 | COUPLING SLEEVE | 1 | 1 | 1 | | |
| 8 | 420 | 957-802-600 | PRESSURISED WATER TANK | 1 | 1 | 1 | | |
| 8 | 421 | 394-365-180 | CONNECTING REDUCER | 1 | 1 | 1 | | |
| 8 | 422 | 964-802-250 | HOSE CLIP | 1 | 1 | 1 | | |
| 8 | 423 | 964-802-250 | HOSE CLIP | 1 | 1 | 1 | | |
| 8 | 424 | 957-963-200 | GASKET SET | 1 | 1 | 1 | | |