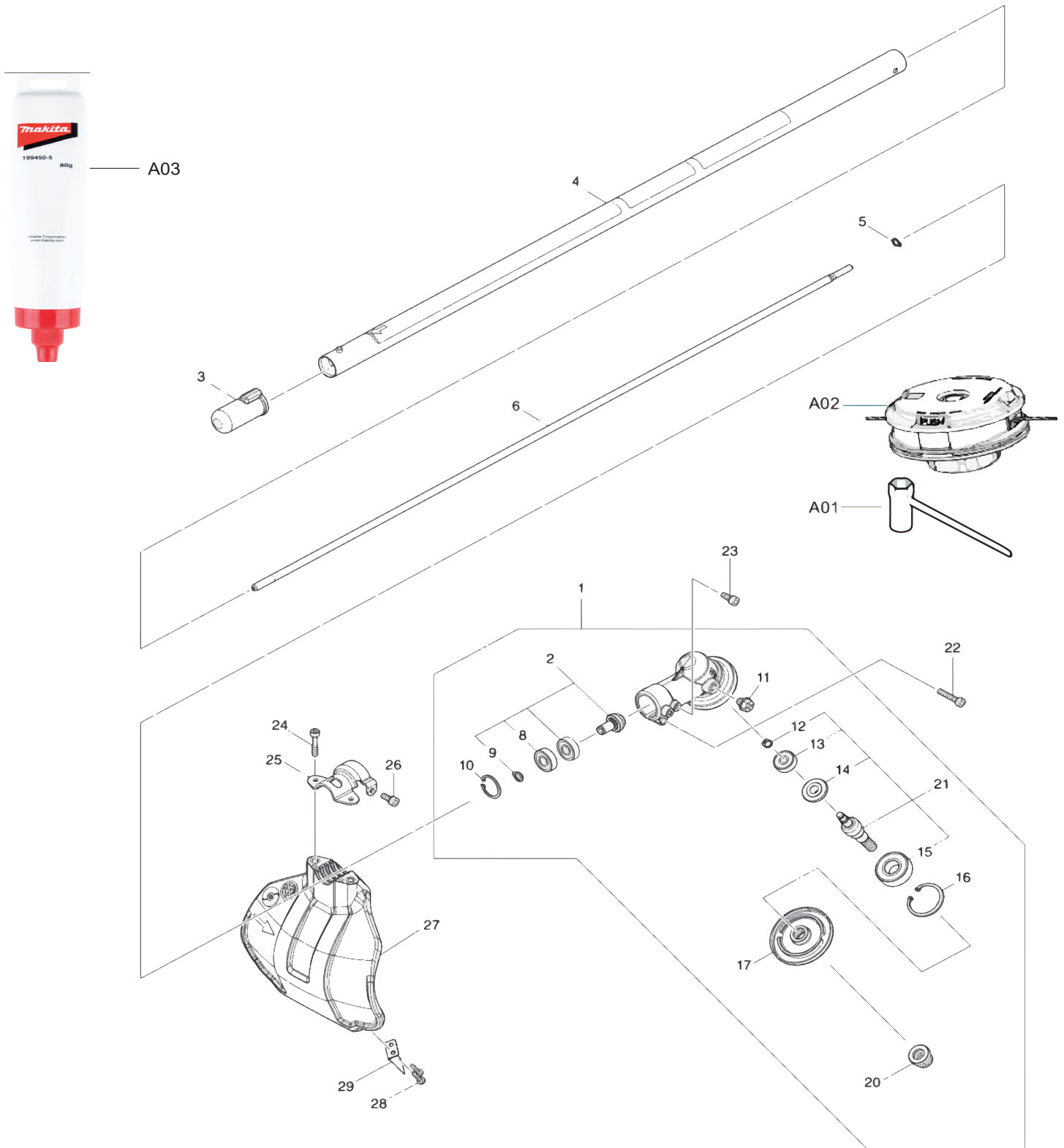




**EM409MP**



Products with multiple versions are listed in subsiding order with the newest version on top not indented.

Section	Fig. No.	Part No.	Description	EM409MP	Tech Bulletin	Notes
1	1	127710-5	GEAR CASE ASSEMBLY US	1		INC. 2,10,11,16,17,20,21
1	2	136374-4	SPIRAL BEVEL GEAR ASS'Y	1		INC. 8,9
1	3	424434-7	CAP 24	1		
1	4	140Y53-8	SHAFT PIPE A COMPLETE A	1		
1	5	961003-8	RETAINING RING S-7	1		
1	6	327723-8	SHAFT A	1		
1	8	210157-1	BALL BEARING 609ZZ	2		
1	9	259071-6	RETAINING RING (EXT) S-9	1		
1	10	259072-4	RETAINING RING (INT)R-24	1		
1	11	265590-2	+HEX.BOLT M8X10 WITH R	1		
1	12	259070-8	RETAINING RING (EXT) S-7	1		
1	13	210030-5	BALL BEARING 627ZZ	1		
1	14	226988-8	SPIRAL BEVEL GEAR 19	1		
1	15	211228-7	BALL BEARING 6202DDW	1		
1	16	259069-3	RETAINING RING (INT) R-35	1		
1	17	140N88-3	RECEIVE WASHER COMPLETE	1		
1	20	252236-9	HEX. LOCK NUT M10-17	1		
1	21	136375-2	CUTTER SHAFT ASS'Y	1		INC. 12-15
1	22	922242-5	HEX. SOCKET HEAD BOLT M5X25	1		
1	23	922216-6	HEX. SOCKET HEAD BOLT M5X14	1		
1	24	251513-6	H.S.H.BOLT M5X25	2		
1	25	347107-4	PROTECTOR CLAMP 24	1		
1	26	922216-6	HEX. SOCKET HEAD BOLT M5X14	1		
1	27	412968-2	PROTECTOR N 330	1		
1	28	266326-2	TAPPING SCREW 4X18	2		
1	29	346855-2	CUTTER	1		
1	A01	782238-6	BOX WRENCH 17	1		
1	A02	191R00-0	RAPID LOAD TRIMMER HEAD	1		
1	A03	199450-5	GEAR CASE GREASE	1		