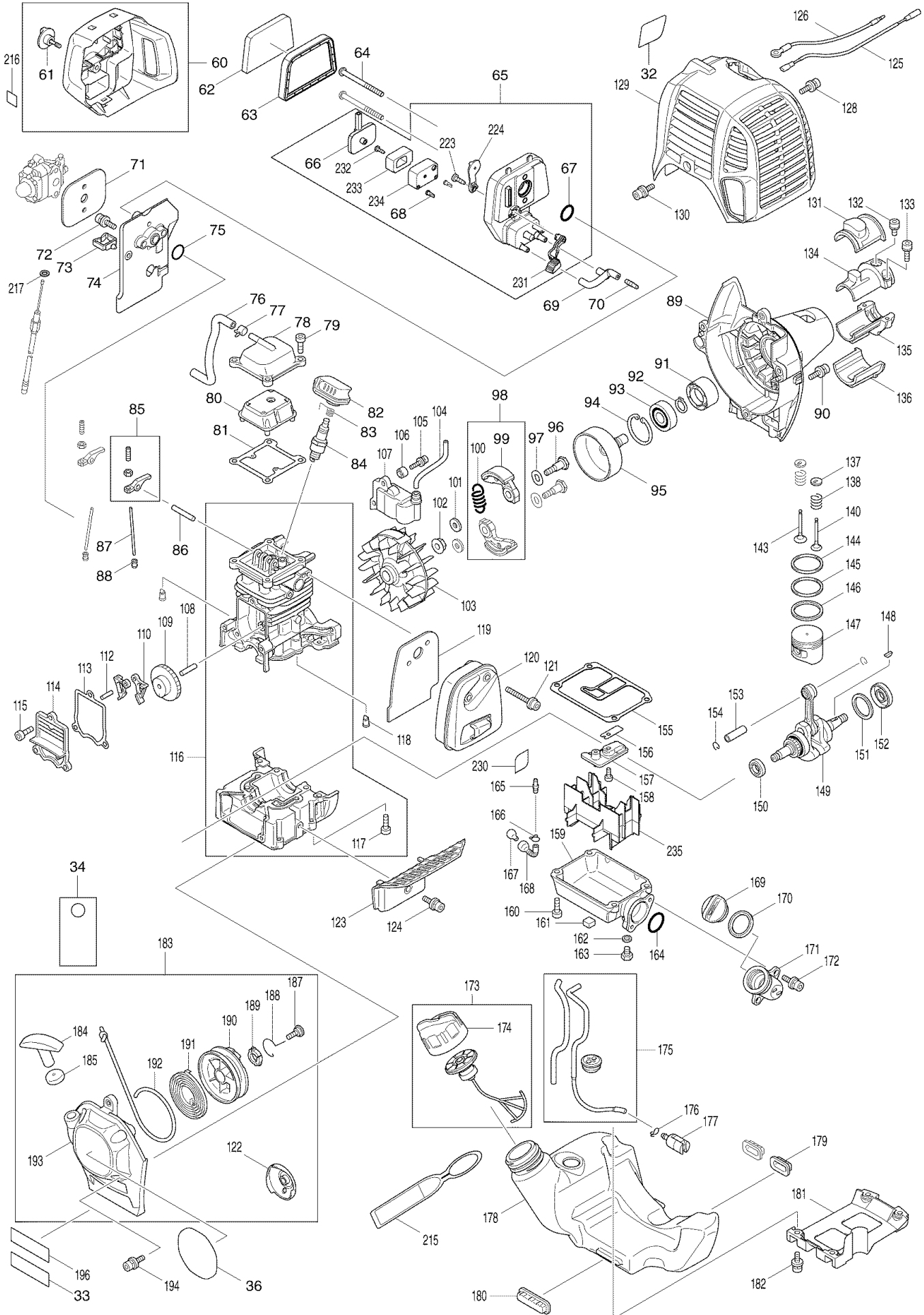
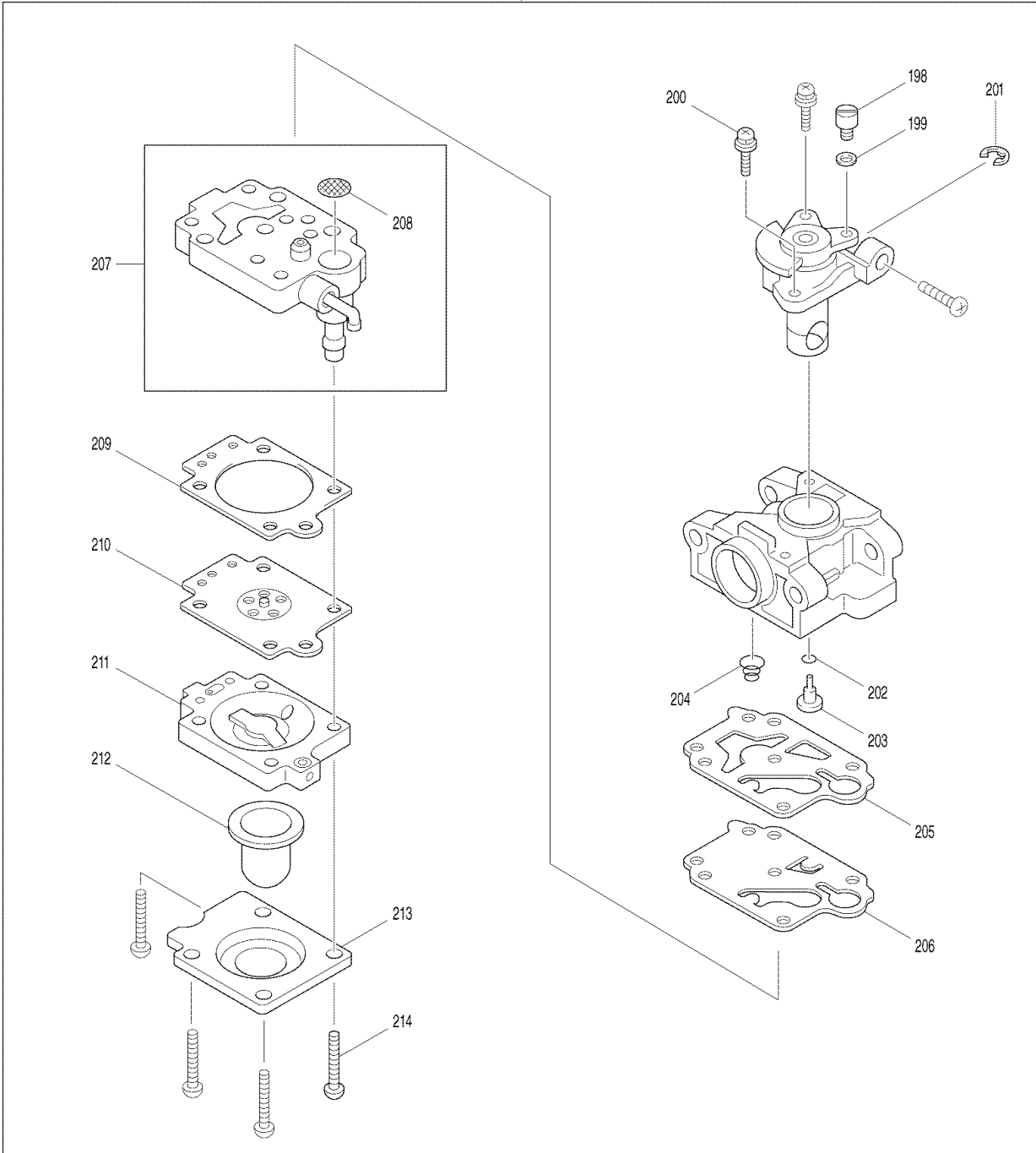


38



197





Model No: ER2650LH

Parts List

ID	Part No	Name	Qty	Notes
1	195626-2	LOOP HANDLE SET	1	
2	922243-3	HEX. SOCKET HEAD BOLT M5X25	2	
3	452843-0	CLAMP COVER B	1	
4	***	***	***	Click for Technical Bulletin 93985
5	452841-4	LOOP HANDLE	1	
6	***	***	***	Click for Technical Bulletin 93985
8	141350-5	BENT PIPE COMPLETE	1	
9	141014-1	CLAMP COMPLETE	1	
10	266775-3	HEX BOLT M6X20 WR	2	
11	346469-7	CLAMP	1	
12	***	***	***	Click for Technical Bulletin 96316
13	***	***	***	Click for Technical Bulletin 96316
14	326195-4	CUTTER SHAFT	1	
15	211368-1	BALL BEARING 608ZZ	1	
16	257335-2	COLLAR	1	
17	211367-3	BALL BEARING 608DDW	1	
18	318900-3	HEAD CASE	1	
19	267844-3	WASHER	1	
20	267846-9	SPRING WASHER M8	1	
21	318901-1	CUTTER HOLDER	1	
22	***	***	***	Click for Technical Bulletin 96316
23	922242-5	HEX. SOCKET HEAD BOLT M5X25	1	
24	141015-9	PROTECTOR COMPLETE	1	
25	453782-7	SAFETY COVER	1	
26	266776-1	SCREW M5X14	2	
27	267842-7	WASHER M5	2	
28	346612-8	CUTTER	1	
29	267843-5	SPRING WASHER M5	2	
30	264079-7	NUT M5	2	
31	819312-8	MAKITA LOGO LABEL	1	
33	816567-6	SERIAL NO. LABEL	1	
34	819432-8	CAUTION TAG	1	
36	890465-2	ER2650LH MODEL NO.LABEL	1	
38	125776-9	CONTROL LEVER ASSEMBLY	1	
39	266130-9	TAPPING SCREW BIND PT 3X16	1	
40	451595-0	SWITCH COVER	1	
41	451594-2	SWITCH LEVER	1	
42	232251-9	LEAF SPRING	1	
43	188832-6	LEVER CASE SET	1	
44	***	***	***	Click for Technical Bulletin 93985
45	922218-2	H.S.H.BOLT M5X14 WITH WR	2	
46	451593-4	LOCK LEVER	1	
47	233541-3	TORSION SPRING 7	1	
48	168571-4	CONTROL CABLE	1	
49	233540-5	TORSION SPRING 11	1	
50	451592-6	THROTTLE LEVER	1	



Model No: ER2650LH

ID	Part No	Name	Qty	Notes
51	638714-7	LEAD UNIT	1	
52	638713-9	LEAD UNIT	1	
53	452071-7	CORRUGATE TUBE	1	
54	266326-2	TAPPING SCREW 4X18	4	
55	188832-6	LEVER CASE SET	1	
60	126202-1	CLEANER COVER ASSEMBLY	1	
61	265791-2	THUMB SCREW M4	1	
62	443171-4	AIR CLEANER ELEMENT	1	
63	443169-1	AIR CLEANER ELEMENT	1	
64	266618-9	H.S.BUTTON HEAD BOLT M5X60	2	
65	126198-6	CLEANER PLATE ASSEMBLY	1	
66	162346-3	SEPARATOR PLATE	1	
67	213540-1	O RING 15	1	
68	424316-3	CHECK VALVE	2	
69	422099-9	PIPE	1	
70	325665-0	JOINT PIPE	1	
71	442153-3	CARBURETOR GASKET	1	
72	266787-6	H.S.H.BOLT M5X18 WITH WR	2	
73	451825-9	CLAMP	1	
74	451729-5	INSULATOR	1	
75	213547-7	O-RING 12	1	
76	***	***	***	Click for Technical Bulletin 94683
77	345918-1	HOSE CLAMP	1	
78	318745-9	ROCKER COVER OUTER	1	
79	922222-1	HEX. SOCKET HEAD BOLT M5X16	4	
80	453860-3	ROCKER COVER INNER	1	
81	162304-9	ROCKER COVER GASKET	1	
82	424302-4	PLUG CAP	1	
83	324891-8	PLUG CAP SPRING	1	
84	168534-0	SPARK PLUG	1	
85	125554-7	ROCKER ARM ASSEMBLY	2	
86	256200-2	PIN 5	1	
87	256865-0	ROD 2.5	2	
88	325668-4	SPRING RETAINER	2	
89	451735-0	CLUTCH CASE	1	
90	922228-9	H.S.H.BOLT M5X18 WITH WR	3	
91	***	***	***	Click for Technical Bulletin A1812
92	961052-5	RETAINING RING S-12	1	
93	210111-5	BALL BEARING 6201LLU	1	
94	962151-6	RETAINING RING R-32	1	
95	168710-6	CLUTCH DRUM COMPLETE	1	
96	***	***	***	Click for Technical Bulletin 98135
97	267817-6	WASHER 8	2	
98	126135-0	CLUTCH ASSEMBLY	1	
99	168498-8	CLUTCH SHOE	2	
100	231881-3	TENSION SPRING 7	1	
101	267812-6	WASHER 6	2	
102	264039-9	FLANGE NUT	1	
103	318569-3	FLYWHEEL	1	



Model No: ER2650LH

ID	Part No	Name	Qty	Notes
104	444021-6	TUBE	1	
105	266602-4	HEX. SOCKET HEAD BOLT M4X20	2	
106	452049-0	SPACER	2	
107	168559-4	IGNITION COIL	1	
108	268238-5	PIN 5	1	
109	125552-1	CAM GEAR ASSEMBLY	1	
110	313169-4	CAM LIFTER	2	
112	268239-3	PIN 4	1	
113	162274-2	CAM GEAR COVER GASKET	1	
114	318443-5	CAM GEAR COVER	1	
115	922222-1	HEX. SOCKET HEAD BOLT M5X16	3	
116	135478-9	CYLINDER BLOCK ASSEMBLY	1	
117	922222-1	HEX. SOCKET HEAD BOLT M5X16	6	
118	424201-0	CHECK VALVE	2	
119	346331-6	MUFFLER GASKET	1	
120	168554-4	EXHAUST MUFFLER	1	
121	266440-4	HEX SOCKET HEAD BOLT M5X40	2	
122	168483-1	PULLEY	1	
123	451731-8	MUFFLER PLATE	1	
124	922218-2	H.S.H.BOLT M5X14 WITH WR	1	
125	638707-4	LEAD UNIT	1	
126	638708-2	LEAD UNIT	1	
128	922218-2	H.S.H.BOLT M5X14 WITH WR	1	
129	453266-5	CYLINDER COVER	1	
130	922218-2	H.S.H.BOLT M5X14 WITH WR	1	
131	424082-2	BUFFER RUBBER	1	
132	922211-6	HEX. SOCKET HEAD BOLT M5X12	1	
133	922226-3	HEX. SOCKET HEAD BOLT M5X18	2	
134	318249-1	PIPE HOLDER	1	
135	318250-6	PIPE HOLDER	1	
136	424083-0	BUFFER RUBBER	1	
137	424200-2	SPACER	2	
138	234108-0	COMPRESSION SPRING 9	2	
140	325669-2	EXHAUST VALVE	1	
143	325670-7	INTAKE VALVE	1	
144	257298-2	PISTON RING (TOP) 34	1	
145	257299-0	PISTON RING (SECOND) 34	1	
146	257300-1	PISTON RING 34	1	
147	318441-9	PISTON	1	
148	254040-2	WOODRUFF KEY 3	1	
149	***	***	***	Click for Technical Bulletin 99747
150	***	***	***	Click for Technical Bulletin Y06105
151	***	***	***	Click for Technical Bulletin Y06105
152	***	***	***	Click for Technical Bulletin Y06105
153	257781-9	PISTON PIN	1	
154	233976-8	CLIP	2	
155	162345-5	OIL CASE GASKET	1	
156	346083-9	LEAD VALVE	1	
157	318910-0	RETAINER PLATE	1	



Model No: ER2650LH

ID	Part No	Name	Qty	Notes
158	922112-8	HEX. SOCKET HEAD BOLT M4X10	1	
159	318588-9	OIL CASE	1	
160	922222-1	HEX. SOCKET HEAD BOLT M5X16	4	
161	424344-8	DAMPER	1	
162	346305-7	GASKET	1	
163	266611-3	HEX BOLT M6X8	1	
164	213548-5	O-RING 20	1	
165	325665-0	JOINT PIPE	1	
166	282020-8	HOSE CLAMP	1	
167	325666-8	OIL WEIGHT	1	
168	424301-6	OIL TUBE	1	
169	452047-4	OIL CAP	1	
170	424343-0	GASKET	1	
171	452048-2	OIL PIPE	1	
172	922218-2	H.S.H.BOLT M5X14 WITH WR	2	
173	125728-0	FUEL TANK CAP ASSEMBLY	1	
174	451739-2	FUEL TANK CAP	1	
175	168755-4	TUBE COMPLETE	1	
176	282020-8	HOSE CLAMP	1	
177	163518-3	GASOLINE FILTER	1	
178	451736-8	FUEL TANK	1	
179	424080-6	BUFFER RUBBER	2	
180	424081-4	BUFFER RUBBER	1	
181	451737-6	TANK GUARD	1	
182	922218-2	H.S.H.BOLT M5X14 WITH WR	4	
183	195308-6	RECOIL STARTER SET	1	
184	424319-7	STARTER KNOB	1	
185	424359-5	DAMPER	1	
187	266585-8	TAPPING SCREW 5X12	1	
188	325923-4	SWING ARM	1	
189	451938-6	COLLAR	1	
190	451937-8	REEL	1	
191	232258-5	SPIRAL SPRING	1	
192	444023-2	STARTER ROPE	1	
193	451733-4	STARTER CASE	1	
194	922223-9	H.S.H.BOLT M5X16 WITH WR	4	
196	816565-0	MAKITA LOGO LABEL	1	
197	***	***	***	Click for Technical Bulletin 94441
198	325922-6	SWIVEL	1	
199	413140-9	WASHER	1	
200	266581-6	PAN HEAD SCREW M3X8 WITH W	2	
201	257964-1	STOP RING E-3	1	
202	213538-8	O RING 2	1	
203	325985-2	JET	1	
204	234183-6	CONICAL COMPRESSION SPRING 5-9	1	
205	442155-9	PUMP GASKET	1	
206	168575-6	PUMP DIAPHRAGM	1	
207	***	***	***	Click for Technical Bulletin 94441
208	***	***	***	Click for Technical Bulletin 94441



Model No: ER2650LH

ID	Part No	Name	Qty	Notes
209	442154-1	METERING DIAPHRAGM GASKET	1	
210	168620-7	METERING DIAPHRAGM	1	
211	140438-8	AIR PURGE BODY	1	
212	424314-7	PRIMER PUMP	1	
213	346270-0	PRIMER PUMP COVER	1	
214	266582-4	TAPPING SCREW 3X24	4	
215	810455-9	CAUTION PLATE	1	
216	***	***	***	Click for Technical Bulletin 94683
217	941152-7	FLAT WASHER 6	1	
218	***	***	***	Click for Technical Bulletin 98347
223	266427-6	TAPPING SCREW 4X12	1	
224	452219-1	CHOKE PLATE	1	
231	452220-6	CHOKE LEVER	1	
232	266007-8	TAPPING SCREW BIND PT 3X10	1	
233	352020-3	SEPARATOR MESH	1	
234	453865-3	SEPARATOR CASE	1	
235	453862-9	OIL CASE PLATE	1	
236	135599-7	SHORT BLOCK ASS'Y 25.4CC	1	
1001	122980-1	CUTTER ASSEMBLY	1	
1002	195500-4	OIL SET	1	
1003	831304-7	ACCESSORY BAG	1	
1004	256530-1	PIN 4	1	
1005	782233-6	BOX DRIVER 10-16	1	
1006	783223-2	WRENCH 4	1	