

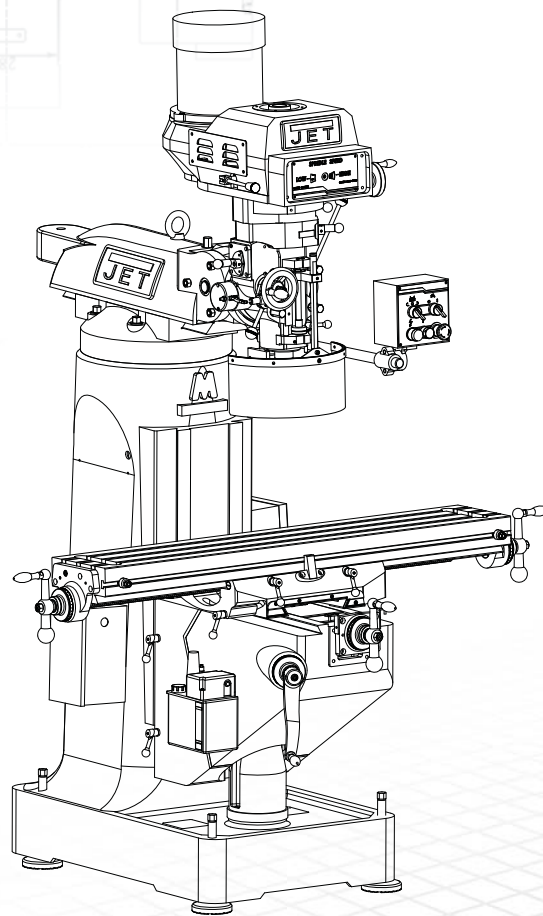
ELITE

HIGH PERFORMANCE MACHINERY

Operating Instructions and Parts Manual

MILL

Models: ETM-949 and ETM-949EVS



JET®

427 New Sanford Road
LaVergne, Tennessee 37086
www.jettools.com
Ph.: 855-336-4032

Part No. M-894010
REV C2 01/2015
(ECR TW0118)
Copyright © 2015 JET

TABLE ASSEMBLY — ETM-949, ETM-949EVS

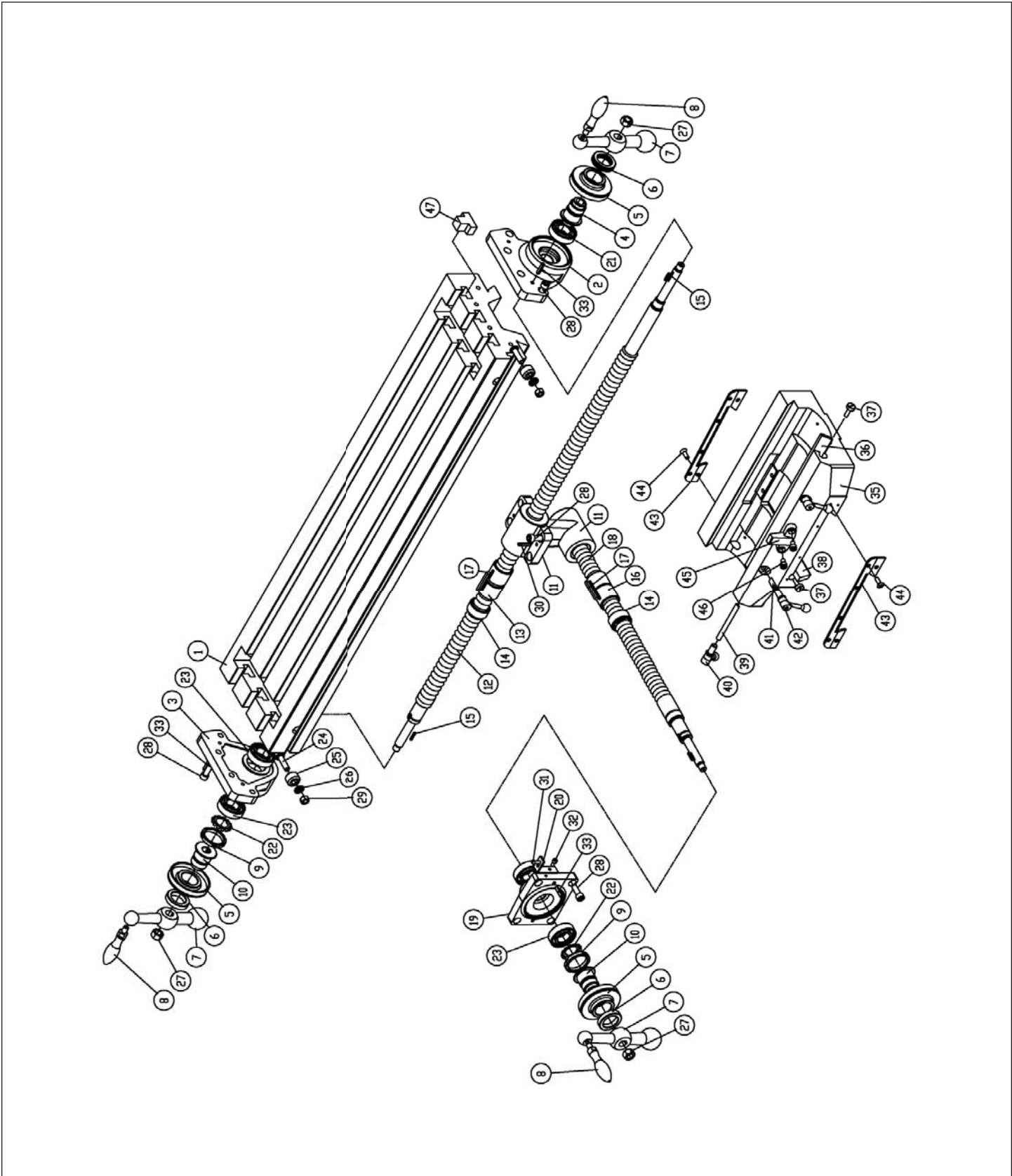
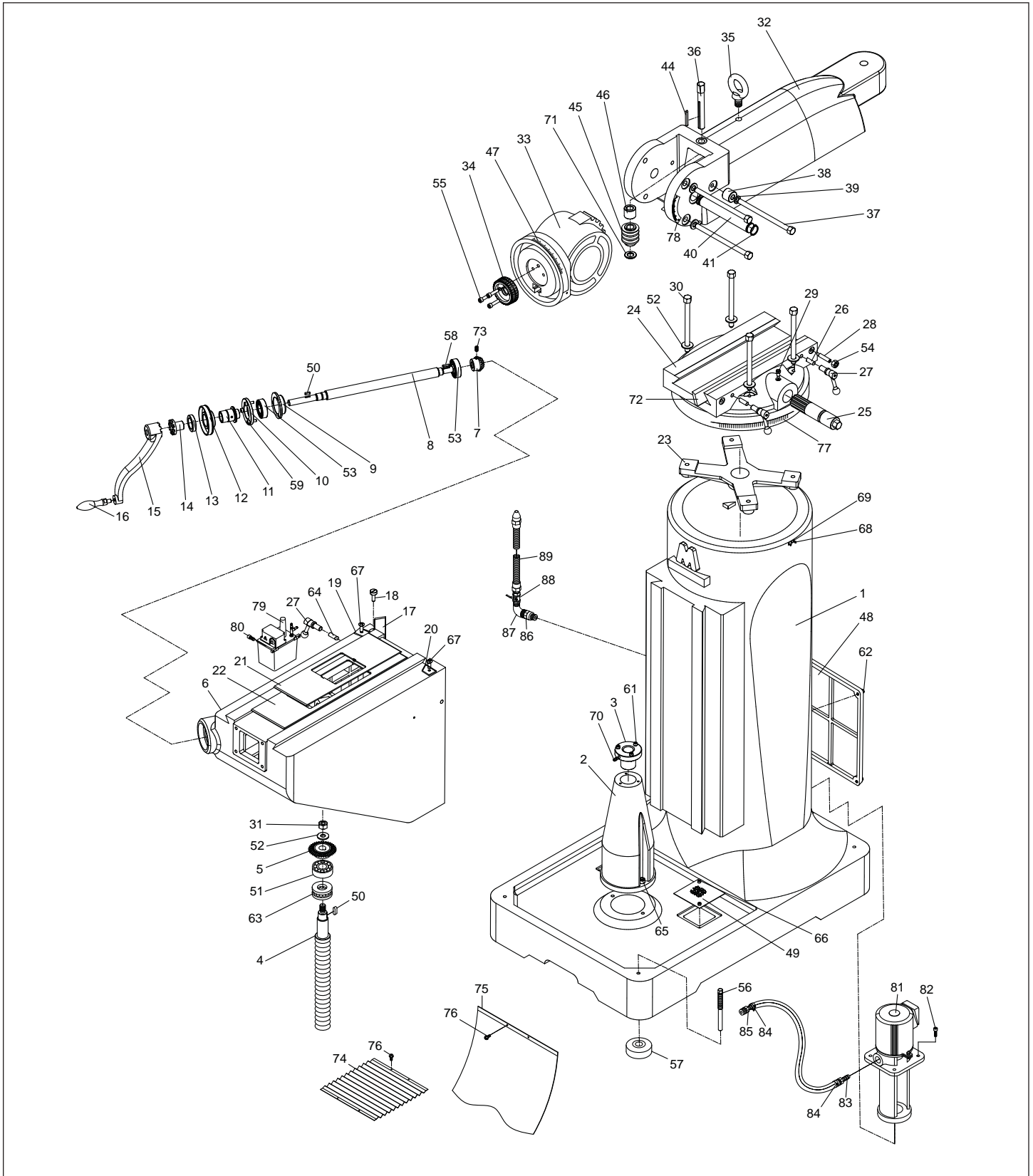


TABLE ASSEMBLY PARTS LIST

Index No.	Part No.	Description	Size	Qty.
1	ETM949-A01	Table	9"x49"	1
2	ETM949-A02	Left Bearing Bracket		1
3	ETM949-A03	Right Bearing Bracket		1
4	ETM949-A04	Dial Holder		1
5	ETM949-A05	Inch Dial	inch	3
6	ETM949-A06	Dial Nut		1
7	ETM949-A07	Ball Crank Handle		3
8	ETM949-A08	Ball Crank Handle Lever	3/8"-16UNC	3
9	ETM949-A09	Lock Nut		2
10	ETM949-A10	Dial Holder		2
11	ETM949-A11	Feed Nut Bracket		1
12	ETM949-A12	Longitudinal Feed Screw	49"	1
13	ETM949-A13	Longitudinal Feed Nut (inch)		2
14	ETM949-A14	Backlash Adjustment Nut	inch	2
15	ETM949-A15	Flat Key	3x3x20	3
16	ETM949-A16	Cross Feed Screw Nut (inch)		2
17	ETM949-A17	Flat Key	5x5x50	2
18	ETM949-A18	Cross Feed Screw (inch)		1
19	ETM949-A19	Cross Feed Bearing Bracket		1
20	ETM949-A20	Front Rubber Chip Cover Shaft Bracket		2
21	BB-6204	Bearing	6204	1
22	ETM949-A22	Lock Washer	AW04	2
23	BB-51105	Bearing	51105	4
24	ETM949-A24	Stop Piece T-Bolt		2
25	ETM949-A25	Table Stop Piece		2
26	ETM949-A26	Washer		2
27	TS-0561031	Nut	3/8"	3
28	ETM949-A28	Bolt	3/8"x1"	16
29	TS-0561031	Nut	3/8"	2
30	ETM949-A30	Overload Clutch Lever Spring Plunger	5x30	2
31	ETM949-A31	Cross-Recessed Head Screw	3/16"x 5/8"	2
32	TS-1502021	Bolt	M5x10	2
33	ETM949-A33	Overload Clutch Lever Spring Plunger	6x25	6
35	ETM949-A35	Saddle	49"	1
36	ETM949-A36	Saddle Knee Gib		1
37	ETM949-A37	Adjusting Screw		3
38	ETM949-A38	Saddle Table Gib		1
39	ETM949-A39	Saddle Lock Plunger		1
40	ETM949-A40	Table Lock Bolt Handle	1/2"-12UNC	1
41	ETM949-A41	Adaptor Pivot Stud Locknut		1
42	ETM949-A42	Table Lock Bolt Handle	1/2"-12UNC	2
43	ETM949-A43	Felt Wipers		1
44	ETM949-A44	Cross-Recessed Head Screw	3/16 x15	8
45	ETM949-A45	Table Stop Bracket		1
46	TS-0209051	Hex-Socket Head Cap Screw	3-8x15	2

BASE ASSEMBLY — ETM-949, ETM-949EVS



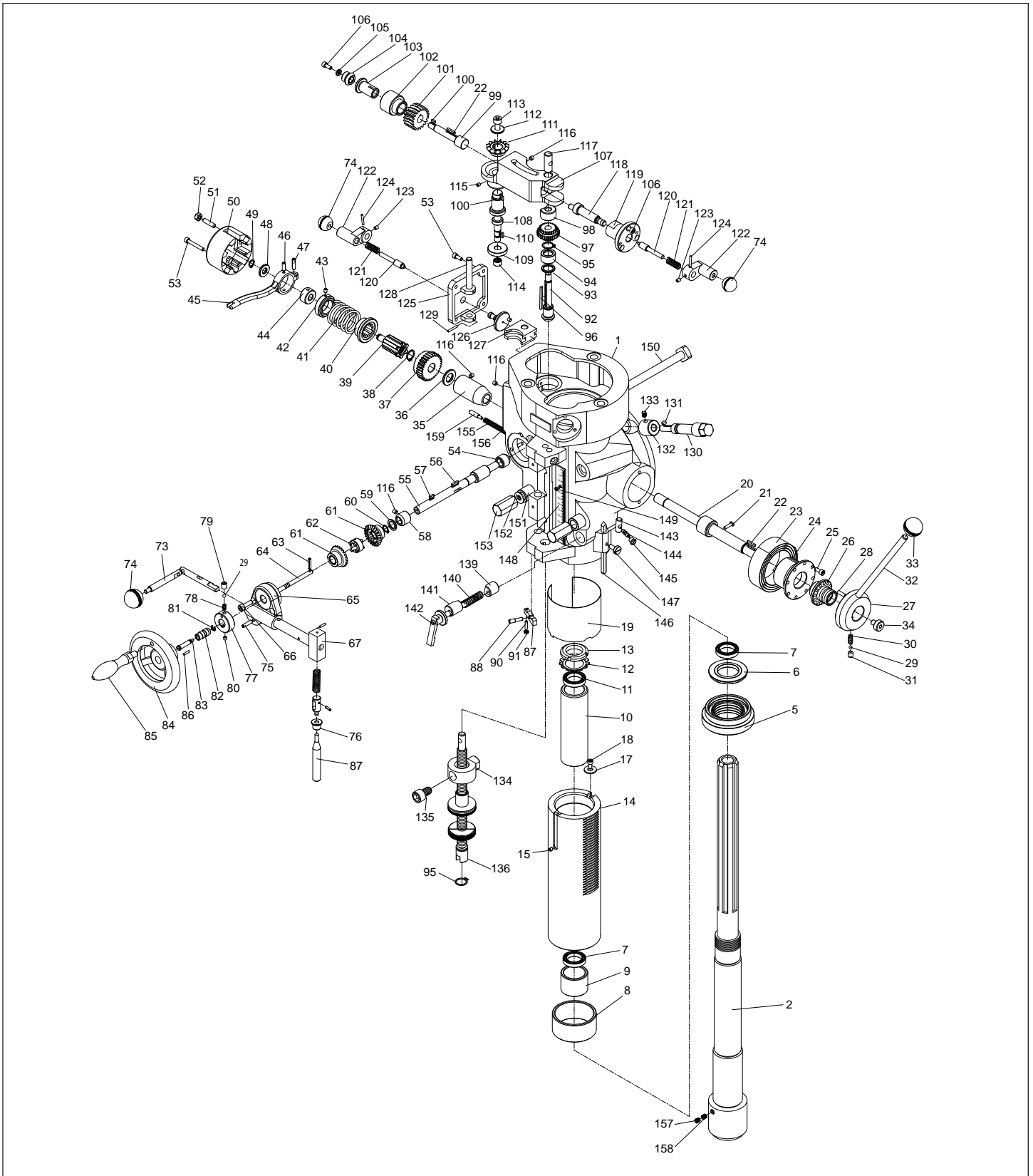
BASE ASSEMBLY PARTS LIST

Index No.	Part No.	Description	Size	Qty.
1	ETM949-B01	Body		1
2	ETM949-B02	Elevating Screw Housing		1
3	ETM949-B03	Elevating Screw Nut(Inch)		1
4	ETM949-B04	Elevating Screw (Inch)		1
5	ETM949-B05	Bevel Gear (Big)		1
6	ETM949-B06	Knee		1
7	ETM949-B07	Bevel Gear(Small)		1
8	ETM949-B08	Elevating Shaft		1
9	ETM949-B09	Bearing Housing		1
10	ETM949-B10	Bearing Cap		1
11	ETM949-B11	Dial Holder		1
12	ETM949-B12	Inch Dial		1
13	ETM949-B13	Dial Nut		1
14	ETM949-B14	Gear Shaft Clutch Insert		1
15	ETM949-B15	Elevating Crank		1
16	ETM949-B16	Ball Crank Handle Lever	3/8"-16UNC	1
17	ETM949-B17	Knee Column Gib		1
18	ETM949-B18	Adjusting Screw		2
19	ETM949-B19	Felt Wipers		1
20	ETM949-B20	Felt Wipers		1
21	ETM949-B21	Chip Guards (Down)		1
22	ETM949-B22	Chip Guards (Up)		1
23	ETM949-B23	Spider		1
24	ETM949-B24	Turret		1
25	ETM949-B25	Ram Pinion		1
26	ETM949-B26	Ram Lock Plunger		2
27	ETM949-B27	Table Lock Bolt Handle (Include C038) 1/2"-12UNC		3
28	ETM949-B28	Gib Lock Screw		1
29	ETM949-B29	Ram Pinion Set		1
30	ETM949-B30	Locking Bolt		4
31	TS-0561051	Nut	1/2"	1
32	ETM949-B32	Ram		1
33	ETM949-B33	Ram Adaptor		1
34	ETM949-B34	Quill Housing Adjusting Gear		1
35	ETM949-B35	Hook		1
36	ETM949-B36	Vertical Adjusting Worm Shaft		1
37	ETM949-B37	Adaptor Locking Bolt	185mm	3
38	ETM949-B38	Adaptor Pivot Stud Locknut		1
39	TS-155009	Washer	M14	1
40	ETM949-B40	Adaptor Pivot Stud		1
41	ETM949-B41	Snap Ring C-Type	S-26	2
42	TS-155009	Washer	M14	1
43	TS-155009	Washer	M14	1
44	ETM949-B44	Flat Key	5x5x50	1
45	ETM949-B45	Vertical Adjusting Worm		1



Index No.	Part No.	Description	Size	Qty.
46	ETM949-B46	Worm Thrust Washer		1
47	ETM949-B47	Adaptor Scale		1
48	ETM949-B48	Back Cover		2
49	ETM949-B49	Filter Oil Net		2
50	ETM949-B50	Flat Key	5x5x15	2
51	BB-6205	Bearing	6205	1
52	ETM949-B52	Washer		4
53	BB-6204	Bearing	6204	2
54	TS-0561031	Nut	3/8"	1
55	TS-1504051	Hex-Socket Head Cap Screw	M8 x 25	3
56	ETM949-B56	Level Screw And Nut		4
57	ETM949-B57	Leveling Pads		4
58	ETM949-B58	Flat Key	4x4x20	1
59	TS-1503051	Hex-Socket Head Cap Screw	M6 x 20	3
60	TS-1503051	Hex-Socket Head Cap Screw	M6 x 20	1
61	TS-1503051	Hex-Socket Head Cap Screw	M6 x 20	2
62	TS-1503041	Hex-Socket Head Cap Screw	M6x 15	8
63	ETM949-B63	Bearing	51305	1
64	ETM949-B64	Knee Lock Plunger		1
65	TS-1505021	Hex-Socket Head Cap Screw	M10 x 20	2
66	TS-1502021	Hex-Socket Head Cap Screw	M5 x 10	4
67	TS-1503031	Cross-Recessed Head Screw	M6 x12	2
68	ETM949-B68	Rivet Nut	M2x5	4
69	ETM949-B69	Zeroing Point Plate		1
70	ETM949-B70	Nozzle	1/8PT	1
71	ETM949-B71	Washer		1
72	ETM949-B72	Turret-Ram Gib		1
73	TS-1534032	Set Screw	M6x10	1
74	ETM949-B74	Rubber Chip Cover (Front, Wave)		1
75	ETM949-B75	Rubber Chip Cover (Rear, Flat)		1
76	TS-1534041	Cross-Recessed Head Screw	M5x10	8
77	ETM949-B77	Turret Scale		1
78	ETM949-B78	Angle Plate		1
79	ETM949-B79	Auto Lubricator		1
80	TS-1534041	Cross-Recessed Head Screw	M5x10	4
81	ETM949-B81	Coolant Pump 150L		1
82	TS-1503051	Hex-Socket Head Cap Screw	M6x 20	4
83	ETM949-B83	Water Pipe Adapter	3/8PTx3/8HS	1
84	ETM949-B84	Restrain	5/8"	2
85	ETM949-B85	Water Pipe Adapter	1/2PTx1/2HS	1
86	ETM949-B86	Insert Connect	3/8PTx7/8HS	1
87	ETM949-B87	High Pressure Connect L-Type	3/8PTx3/8PT	1
88	ETM949-B88	Switch	3/8"	1
89	ETM949-B89	Flexible Steel Coolant Hose	30"	1

HEAD ASSEMBLY — ETM-949, ETM-949EVS





HEAD ASSEMBLY PARTS LIST

Index No.	Part No.	Description	Size	Qty.
1	ETM949-C01	Milling Head		1
2	ETM949-C02	Spindle	R8	1
3	ETM949-C03	Stop Block		2
4	TS-0208031	Hex Socket Head Cap Screw	5/16"x5/8"	2
5	ETM949-C05	Nut	R8	1
6	ETM949-C06	Spindle Dirt Shield		1
7	BB-7207	Bearing	7207	2
8A	ETM949-C08A	Bearing Spacer Assembly (Includes #8,9)		1
8	ETM949-C08	Bearing spacer (large)		1
9	ETM949-C09	Bearing spacer (large)		1
10	ETM949-C10	Sleeve		1
11	BB-6206	Bearing	6206	1
12	ETM949-C12	Lock Washer	AW-06	1
13	ETM949-C13	Locknut Washer	(M30)	1
14	ETM949-C14	Quill		1
15	ETM949-C15	Set Screw	M5x5	2
17	TS-1550031	Washer	M5	1
18	TS-1502021	Hex Socket Head Cap Screw	M5x10	2
19	ETM949-C19	Quill Skirt		1
20A	ETM949-C20A	Quill Pinion Shaft Assembly (Includes #20,21)		1
20	ETM949-C20	Quill Pinion Shaft		1
21	ETM949-C21	Pin		1
22	ETM949-C22	Flat Key	3x3x18	1
23	ETM949-C23	Clock Spring		1
24	ETM949-C24	Spring Cover		1
25	TS-1502031	Hex Socket Head Cap Screw	M5x12	2
26	ETM949-C26	Pinion Shaft Hub Sleeve		1
27	ETM949-C27	Back Feed Handle Hub (Quill Feed Lever)		1
28	ETM949-C28	Overload Clutch Lever Spring Plunger	Ø5x16"	1
29	ETM949-C29	Steel Ball	3/16"	2
30	ETM949-C30	Compression Spring		1
31	TS-0270031	Set Screw	5/16"x3/8"	1
32	ETM949-C32	Pinion Shaft Hub Handle		1
33	ETM949-C33	Black Plastic Ball	3/8"	1
34	ETM949-C34	Pinion Shaft Hub Screw		1
35	ETM949-C35	Quill Pinion Shaft Bushing		1
36	ETM949-C36	Quill Pinion Shaft Worm Gear Spacer		1
37	ETM949-C37	Overload Clutch Worm Gear		1
38	ETM949-C38	Snap Ring C-Type	S-15	1
39A	ETM949-C39A	Overload Clutch Assembly (Includes #39,40,42)		1
39	ETM949-C39	Over Load Clutch		1
40	ETM949-C40	Overload Clutch		1
41	ETM949-C41	Safety Clutch Spring		1
42	ETM949-C42	Overload Clutch Locknut		1

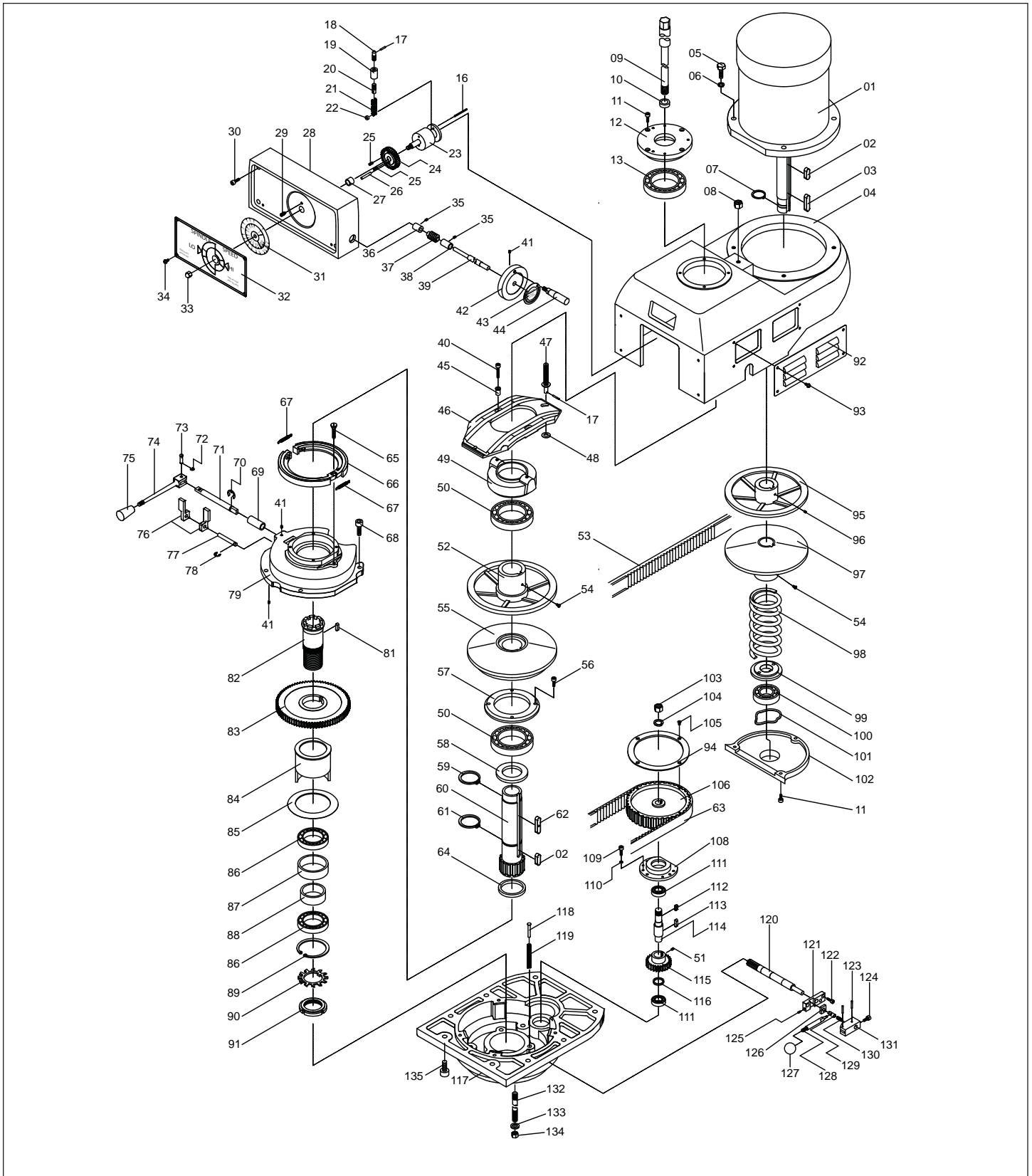
Index No.	Part No.	Description	Size	Qty.
43	ETM949-C43	Set Screw	M5x5	1
44	ETM949-C44	Clutch Ring		1
45	ETM949-C45	Overload Clutch Trip Lever		1
46	ETM949-C46	Clutch Ring Pin		2
47	ETM949-C47	Overload Clutch Lever Spring Plunger	Ø5x18	1
48	ETM949-C48	Overload Clutch Washer		1
49	ETM949-C49	Snap Ring C-Type	S-10	1
50	ETM949-C50	Clutch Arm Cover		1
51	TS-0267071	Set Screw	1/4"x3/4"	1
52	TS-0561011	Nut	1/4"	1
53	TS-1502081	Hex Socket Head Cap Screw	M5x35	2
54	ETM949-C54	Bushing		1
55	ETM949-C55	Feed Worm Shaft		1
56	ETM949-C56	Flat Key	3x3x15	1
57	ETM949-C57	Flat Key	3x3x10	1
58	ETM949-C58	Feed Worm Shaft Bushing		1
59	ETM949-C59	Feed Worm Shaft Thrust Washer		1
60	ETM949-C60	Snap Ring C-Type	S-12	1
61	ETM949-C61	Feed Reverse Bevel Gear		2
62	ETM949-C62	Feed Reverse Clutch		1
63	ETM949-C63	Overload Clutch Lever Spring Plunger	Ø3x20	1
64	ETM949-C64	Reverse Clutch Rod		1
65	ETM949-C65	Feed Trip Bracket		1
66	TS-1503051	Hex Socket Head Cap Screw	M6x20	2
67	ETM949-C67	Cam Rod Sleeve Assembly		1
73	ETM949-C73	Trip Handle		1
74	ETM949-C74	Black Plastic Ball 1/4" Dia	1/4"	3
75	ETM949-C75	Overload Clutch Lever Spring Plunger	Ø5x20	1
76	ETM949-C76	Trip Plunger Bushing		1
77	ETM949-C77	Hand wheel Clutch		1
78	ETM949-C78	Compression Spring		1
79	ETM949-C79	Hand wheel Clutch Spring Screw		1
80	TS-0267021	Set Screw	1/4"x1/4"	1
81A	ETM949-C81A	Feed Reverse Knob Assembly (Includes #81,82,83)		1
81	ETM949-C81	Snap Ring E-Type	E5	1
82	ETM949-C82	Feed Reverse Knob Stud		1
83	ETM949-C83	Feed Reverse Knob Stud Bolt		1
84A	ETM949-C84A	Hand wheel & Hand wheel Handle Assembly (#84,85)		1
84	ETM949-C84	Hand wheel & Hand wheel Handle		1
85	ETM949-C85	Handle	M8 P1.25	1
86	ETM949-C86	Overload Clutch Lever Spring Plunger	Ø3x16	1
87	ETM949-C87	Feed Trip Plunger		1
88	ETM949-C88	Trip Lever Pin		1
89	ETM949-C89	Feed Trip Lever		1



Index No.	Part No.	Description	Size	Qty.
90	TS-1521071	Set Screw	M4x20	1
91	TS-1540021	Nut	M4	1
92	ETM949-C92	Cluster Gear Shaft		1
93	ETM949-C93	Bevel Gear Thrust Spacer		1
94	ETM949-C94	Bevel Gear Bushing		1
95	ETM949-C95	Snap Ring C-Type	S-16	2
96	ETM949-C96	Flat Key	3x3x45	1
97	ETM949-C97	Cluster Gear		1
98	ETM949-C98	Cluster Gear Shaft Upper Bushing		1
99	ETM949-C99	Feed Drive Worm Gear Shaft		1
100	ETM949-C100	Flat Key	3x3x8	2
101	ETM949-C101	Feed Drive Worm Gear		1
102	ETM949-C102	Worm Cradle Bushing		1
103	ETM949-C103	Feed Worm Gear Shaft Sleeve		1
104	ETM949-C104	Feed Bevel Pinion		1
105	ETM949-C105	Washer		1
106	TS-1502031	Hex Socket Head Cap Screw	M5x12	1
107	ETM949-C107	Worm Gear Cradle		1
108A	ETM949-C108A	Feed Driving Gear Assembly (includes #108, 110)		1
108	ETM949-C108	Feed Driving Gear		1
109	ETM949-C109	Feed Drive Gear		1
110	ETM949-C110	Flat Key	3x3x10	1
111	ETM949-C111	Feed Reverse Bevel Gear		1
112	ETM949-C112	Washer		1
113	TS-1504031	Hex Socket Head Cap Screw	M8x16	1
114	ETM949-C114	Bearing	BA66	1
115	ETM949-C115	Set Screw M6x25		1
116	TS-1523011	Set Screw	M6x6	3
117	ETM949-C117	Feed Engage Pin		1
118	ETM949-C118	Worm Gear Cradle Throw-Out		1
119	ETM949-C119	Shift Sleeve		1
120	ETM949-C120	Gear Shift Plunger		1
121	ETM949-C121	Compression Spring		1
122	ETM949-C122	Shift Crand		2
123	TS-0267021	Set Screw	1/4"x1/4"	2
124	ETM949-C124	Overload Clutch Lever Spring Plunger	3x20	2
125	ETM949-C125	Cluster Gear Cover		1
126	ETM949-C126	Cluster Gear Shift Crank		1
127	ETM949-C127	Feed Gear Shift Fork		1
128	ETM949-C128	Feed Shift Rod		1
129	ETM949-C129	Overload Clutch Lever Spring Plunger	3x18	1
130	ETM949-C130	Adj Worm Shaft		1
131	ETM949-C131	Flat Key	4x4x18	1
132	ETM949-C132	Warm Gear		1
133	ETM949-C133	Set Screw		1

Index No.	Part No.	Description	Size	Qty.
134	ETM949-C134	Quill Stop Knob		1
135	TS-0209021	Hex Socket Head Cap Screw	3/8"x5/8"	1
136	ETM949-C136	Quill Stop Micro-Screw (Meter)		1
139	ETM949-C139	Quill Lock Sleeve		1
140	ETM949-C140	Springs		2
141	ETM949-C141	Quill Lock Sleeve Tapped		1
142	ETM949-C142	Quill Lock Bolt & Spring	5/16"-18UNC	1
143	ETM949-C143	Feed Reverse Trip Plunger		1
144	ETM949-C144	Reverse Trip Ball Lever		1
145	ETM949-C145	Reverse Trip Ball Lever Screw		1
146	ETM949-C146	Indicator Rod		1
147	ETM949-C147	Indicator Rod Screw		1
148	ETM949-C148	Micrometer Scale(Inch)		1
149	ETM949-C149	Cross-Recessed Head Screw	1/8"x3/16"	1
150	ETM949-C150	Tee Bolt	1/2"-12 Nc	4
151	ETM949-C151	Lower Clamping Bolt Spacer		2
152	TS-0680061	Washer	1/2"	4
153	ETM949-C153	Adaptor Nut	1/2"-12nc	4
155	ETM949-C155	Hex-Socket Head Cap Screw	M4x15	1
156	ETM949-C156	Compression Spring		1
157	ETM949-C157	Special Socket Set Screw		1
158	ETM949-C158	Set Screw	M6x5	1
159	ETM949-C159	Overload Clutch Lever Spring Plunger		1
160	ETM949-C160	Draw bar w/washer (not shown)		1

UPPER HEAD ASSEMBLY — ETM-949



UPPER HEAD ASSEMBLY PARTS LIST

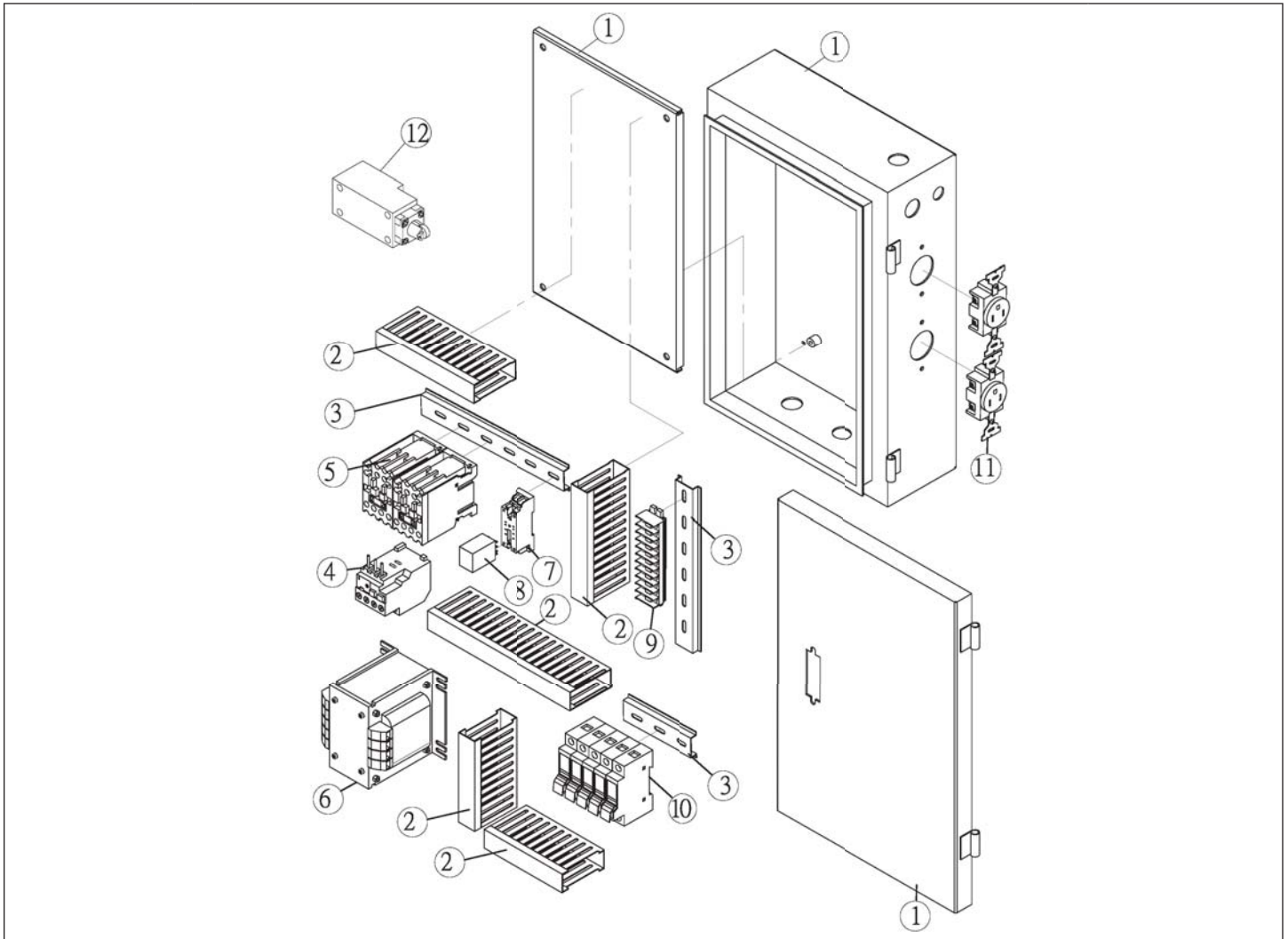
Index No.	Part No.	Description	Size	Qty.
1	ETM949-D01	Motor		1
	ETM949-D01A	Motor With Pulley Assembly (includes # 1,2,3,7,54,95-99)	1	
2	ETM949-D02	Key	10x8x10	2
3	ETM949-D03	Key		1
4	ETM949-D04	Upper Pulley Box		1
5	TS-0209051	Screw	3/8"x1"	2
6	TS-0733061	Spring Washer	3/8"	4
7	ETM949-D07	Snap Ring C-Type	S-30	2
8	TS-0561031	Nut	3/8"	1
	ETM949-D09A	Draw Bar w/ Nut Assembly(included # 9-10)	7/16"-20UNF	1
9	ETM949-D09	Draw Bar Nst#30 1/2" 12unf		1
10	ETM949-D10	Washer (NT#30) S45C/cm		1
11	TS-1503051	Hex Socket Head Cap Screw	M6x20	4
12	ETM949-D12	Top Bearing Bracket		1
13	BB-6007	Ball Bearing	6007	1
16	ETM949-D16	Hi-Low Detent Plunger	Ø3x40	1
17	ETM949-D17	Hi-Low Detent Plunger	Ø4x20	1
18	ETM949-D18	Speed Change Chain Stud		1
19	ETM949-D19	Speed Change Chain Stud		1
20	ETM949-D20	Speed Change Chain Stud		1
21	ETM949-D21	Chain	#35-8P	1
22	ETM949-D22	Chain Washer		1
23	ETM949-D23	Speed Change Chain Drum		1
24	ETM949-D24	Feed Drive Worm Gear		1
25	ETM949-D25	Hi-Low Detent Plunger	Ø5x10	2
26	ETM949-D26	Hi-Low Detent Plunger	Ø5x30	1
27	ETM949-D27	Bushing		1
28	ETM949-D28	Speed Change Housing		1
29	ETM949-D29	Lock Screw		1
30	TS-1503081	Hex Socket Head Cap Screw	M6x35	4
31	ETM949-D31	Vari Speed Dial 60 Hz		1
32	ETM949-D32	Speed Ind. Plate		1
33	TS-0561021	Nut	5/16"	1
34	ETM949-D34	Type III Phillips Screws	M4x6	4
35	TS-1522011	Set Screw	M5x6	3
36	ETM949-D36	Compression Spring		1
37	ETM949-D37	Worm		1
38	ETM949-D38	Worm Cradle Bushing		1
39	ETM949-D39	Speed Control Shaft		1
40	TS-1502051	Hex Socket Head Cap Screw	M5x20	2
41	TS-1523011	Set Screw	M6x6	3
42	ETM949-D42	Handle		1
43	ETM949-D43	Speed Change Warring Plate		1
44	ETM949-D44	Handle	5/16"-18UNC	1
45	ETM949-D45	Pivot Sleeve		2



Index No.	Part No.	Description	Size	Qty.
46	ETM949-D46	Speed Change Plate		1
47	ETM949-D47	Speed Change Plate Pivot Stud		1
48	ETM949-D48	Clutch Washer	10.2x21x1.2	1
49	ETM949-D49	Sliding Housing		1
50	BB-6010	Ball Bearing	6010	2
51	ETM949-D51	Set Screw	M8x6	1
52	ETM949-D52	Adj. Driven Vari-Disc Assembly		1
53	ETM949-D53	Belt 38X890		1
54	TS-2245081	Screw	M5x8	2
55	ETM949-D55	Stationary Driven Vari-Disc		1
56	TS-1503051	Hex Socket Head Cap Screw	M6x20	4
57	ETM949-D57	Brake Brg. Cap		1
58	ETM949-D58	Spindle Pulley Spacer		1
59	ETM949-D59	Snap Ring C-Type	S-35	1
60	ETM949-D60	Spindle Clutch Device		1
61	ETM949-D61	Snap Ring C-Type	S-40	1
62	ETM949-D62	Sliding Key		1
63	ETM949-D63	Timing Belt 225l		1
64	ETM949-D64	Timing Pulley Clutch Sleeve		1
65	ETM949-D65	Brake Ring Screw		1
66	ETM949-D66	Brake Shoe		1
67	ETM949-D67	Brake Spring		2
68	TS-1504041	Hex Socket Head Cap Screw	M8x20	3
69	ETM949-D69	Sleeve For Brake		1
70	ETM949-D70	Snap Ring C-Type	S-12	1
71	ETM949-D71	Brake Lock Shaft		1
72	ETM949-D72	Snap Ring E-Type	E-4	1
73	ETM949-D73	Brake Lock Pin, S45C		1
74	ETM949-D74	Brake Lock & Handle		1
75	ETM949-D75	Black Plastic Ball Handle	5/16"-18UNC	1
76	ETM949-D76	Brake Finger Pivot Stud		2
77	ETM949-D77	Brake Operation Finger		1
78	ETM949-D78	Snap Ring E-Type	E-6	1
79	ETM949-D79	Brake Base		1
81	ETM949-D81	Key	8x12	1
82	ETM949-D82	Spindle Pulley Hub		1
83	ETM949-D83	Spindle Bull Gear Assembly		1
84	ETM949-D84	Bull Gear Bearing Sleeve		1
85	ETM949-D85	Bull Gear Bearing Sleeve Washer		1
86	BB-6908	Ball Bearing	6908	2
87A	ETM949-D87A	Bull Gear Bearing Spacer Assembly (includes #87,88)		1
87	ETM949-D87	Bull Gear Bearing Spacer		1
88	ETM949-D88	Bull Gear Bearing Spacer		1
89	ETM949-D89	Snap Ring C-Type	R-62	1
90	ETM949-D90	Spacer	AW08	1
91	ETM949-D91	Bearing Lock Nut		1

Index No.	Part No.	Description	Size	Qty.
92	ETM949-D92	Side Belt Housing Cover		2
93	ETM949-D93	Cross-Recessed Head Screw	M6x8	8
94	ETM949-D94	Timing Belt Pulley Flange		1
95	ETM949-D95	Stationary Motor Vari-Disc		1
96	TS-1523021	Set Screw	M6x8	1
97	ETM949-D97	Adj.Motor Vari-Disc		1
98	ETM949-D98	Spring		1
99	ETM949-D99	Spring Washer		1
100	BB-6204	Ball Bearing	6204	1
101	ETM949-D101	Washer	6204	1
102	ETM949-D102	Motor Pulley Cover		1
103	TS-0561071	Nut	5/8"	1
104	TS-0680081	Washer	5/8"	1
105	ETM949-D105	Countersunk Screws	M5x8	4
106	ETM949-D106	Pullet Set		1
108	ETM949-D108	Cover		1
109	TS-1502041	Hex Socket Head Cap Screw	M5x16	3
110	TS-1550031	Washer	M5	3
111	BB-6203	Ball Bearing	6203	2
112	ETM949-D112	Key	5x15	1
113	ETM949-D113	Key	5x18	1
114	ETM949-D114	Bull Gear Pinion Counter Shaft		1
115	ETM949-D115	Bull Gear Pinion Counter Gear		1
116	ETM949-D116	Spacer		1
117	ETM949-D117	Gear Housing		1
118	ETM949-D118	Spring Supported Pin		3
119	ETM949-D119	Spring		3
120	ETM949-D120	Bull Gear Shifter Pinion Shaft		1
121	ETM949-D121	Hi-Low Detent Plate		1
122	TS-1502031	Hex Socket Head Cap Screw	M5x12	2
123	ETM949-D123	Hi-Low Detent Plunger	Ø3x20	2
124	TS-1503031	Hex Socket Head Cap Screw	M6x16	1
125	TS-1521051	Set Screw	M4x16	1
126	ETM949-D126	Adj. Plate		1
127	ETM949-D127	Black Plastic Ball 1/4" Dia	1/4"-20UNC	1
128	ETM949-D128	Hi-Low Shift Crank		1
129	ETM949-D129	Hi-Low Detent Plunger		1
130	ETM949-D130	Spring		1
131	ETM949-D131	Hi-Low Pinion Block		1
132	ETM949-D132	Studs		3
133	ETM949-D133	Washer		3
134	TS-0561041	Nut	7/16"	3
135	TS-1504051	Hex Socket Head Cap Screw	M8x25	6

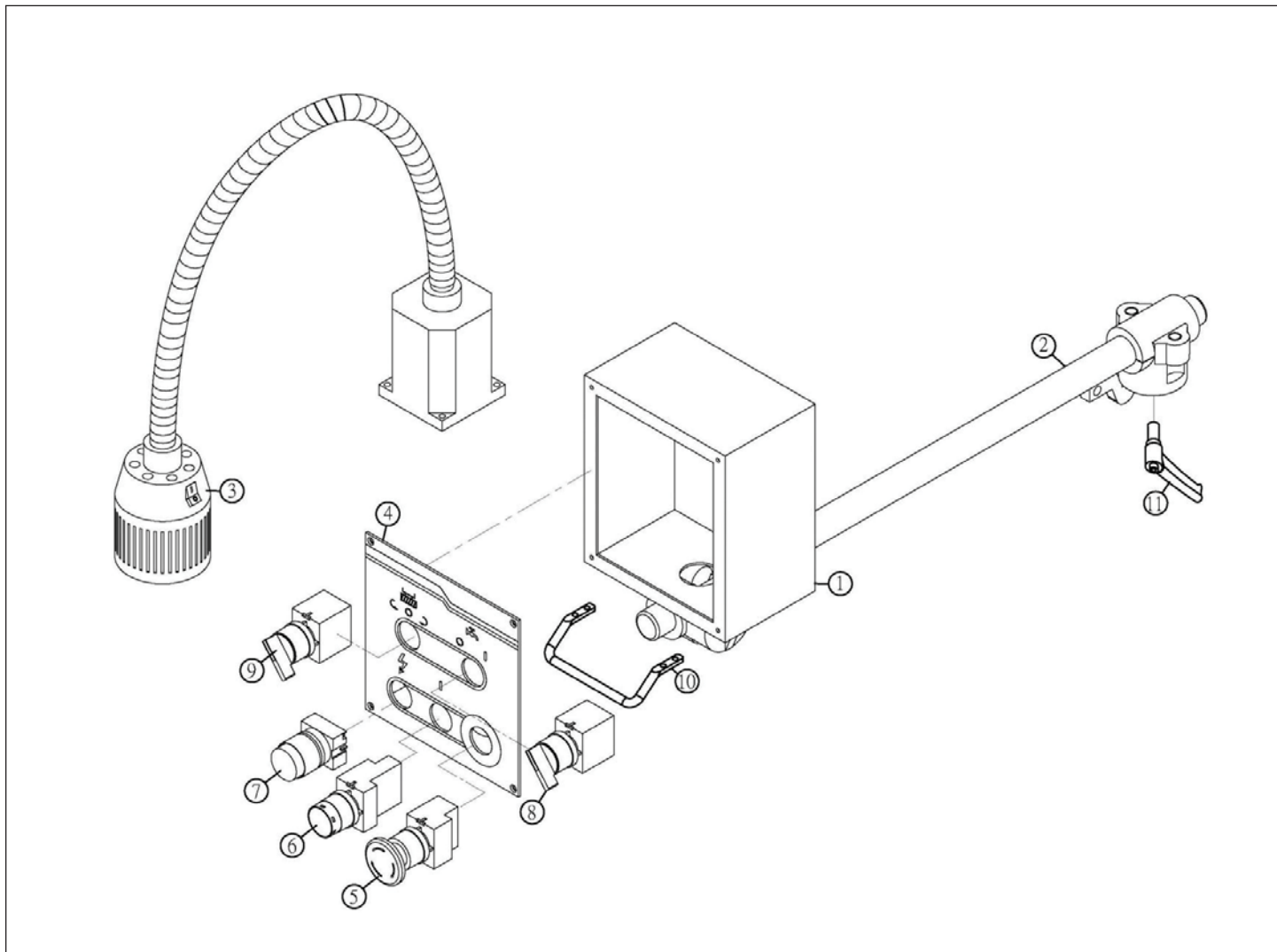
ELECTRICAL ASSEMBLY — ETM-949



ELECTRICAL PARTS LIST — ETM-949

Index No.	Part No.	Description	Size	Qty.
1	ETM949-E01	Electric Box Assembly		1
2	ETM949-E02	Wire Housing		3
3	ETM949-E03	Aluminum Plate		2
4	ETM949-E04	Overload (ETM949 only)	7.2-10A	1
5	ETM949-E05	Magnetic Switch	CU11	1
6	ETM949-E06	Transformer		1
7	ETM949-E07	Relay Switch Base		1
8	ETM949-E08	Relay Switch		1
9	ETM949-E09	Terminal Block Plate		1
10	ETM949-E10	Fuse Base		5
	ETM949-F2A	Fuse (not shown)	2A	1
	ETM949-F4A	Fuse (not shown)	4A	1
	ETM949-F20A	Fuse (not shown)	20A	3
11	ETM949-E11	Power Socket		2
12	ETM949-E19	Limit Switch		1

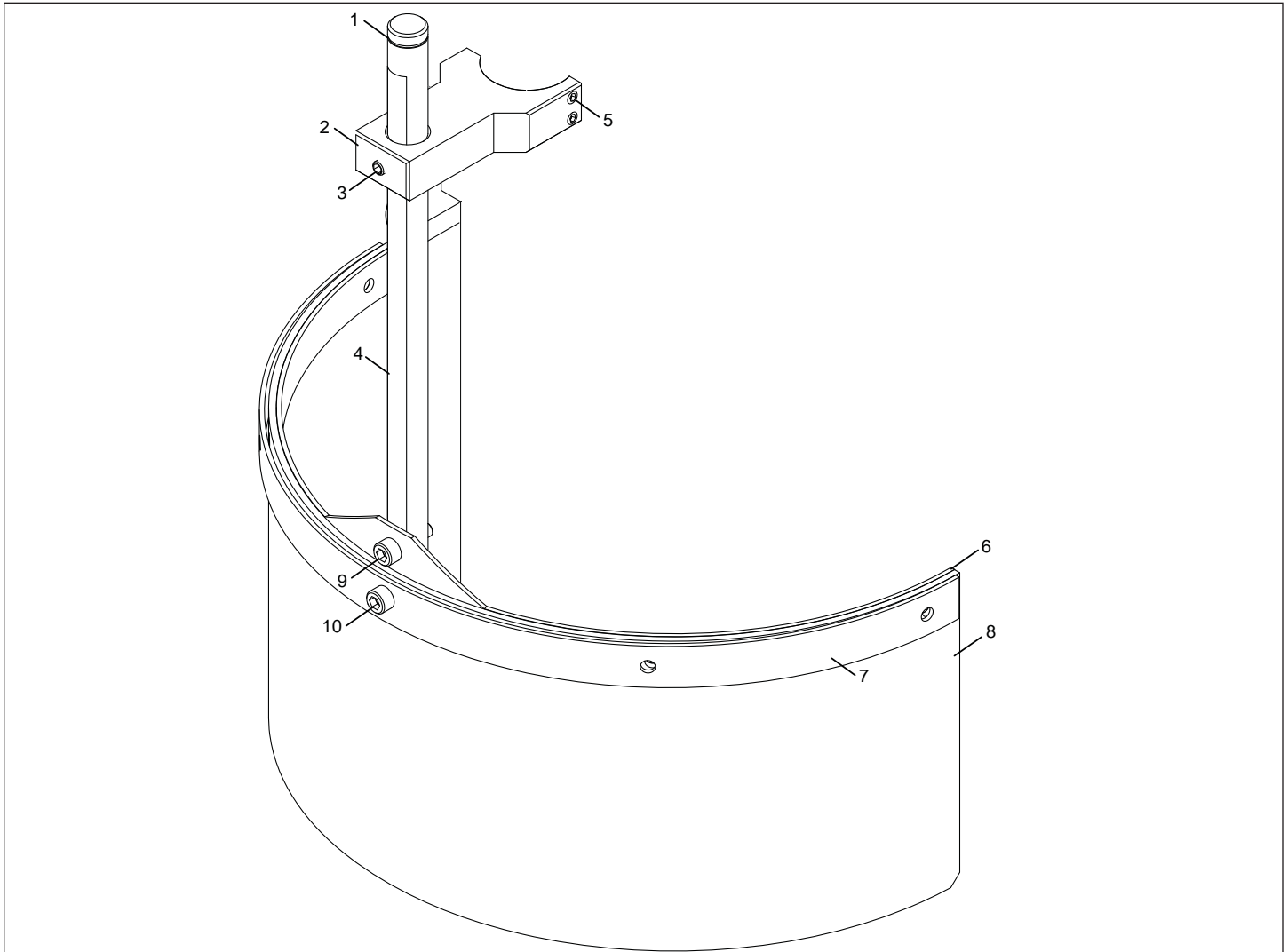
CONTROL PANEL ASSEMBLY — ETM-949, ETM-949EVS



CONTROL PANEL ASSEMBLY PARTS LIST

Index No.	Part No.	Description	Size	Qty.
1	ETM949-G01	Control Panel Box		1
2	ETM949-G02	Support Bar Assembly		1
3	ETM949-G03	Work Lamp		1
4	ETM949-G04	Control Panel label		1
5	ETM949-G05	Emergent Switch		1
6	ETM949-G06	Start Switch		1
7	ETM949-G07	Power Light		1
8	ETM949-G08	Coolant Pump Switch		1
9	ETM949-G09	F/R Switch		1
10	ETM949-G10	Handle		1
11	ETM949-G11	Knob		1

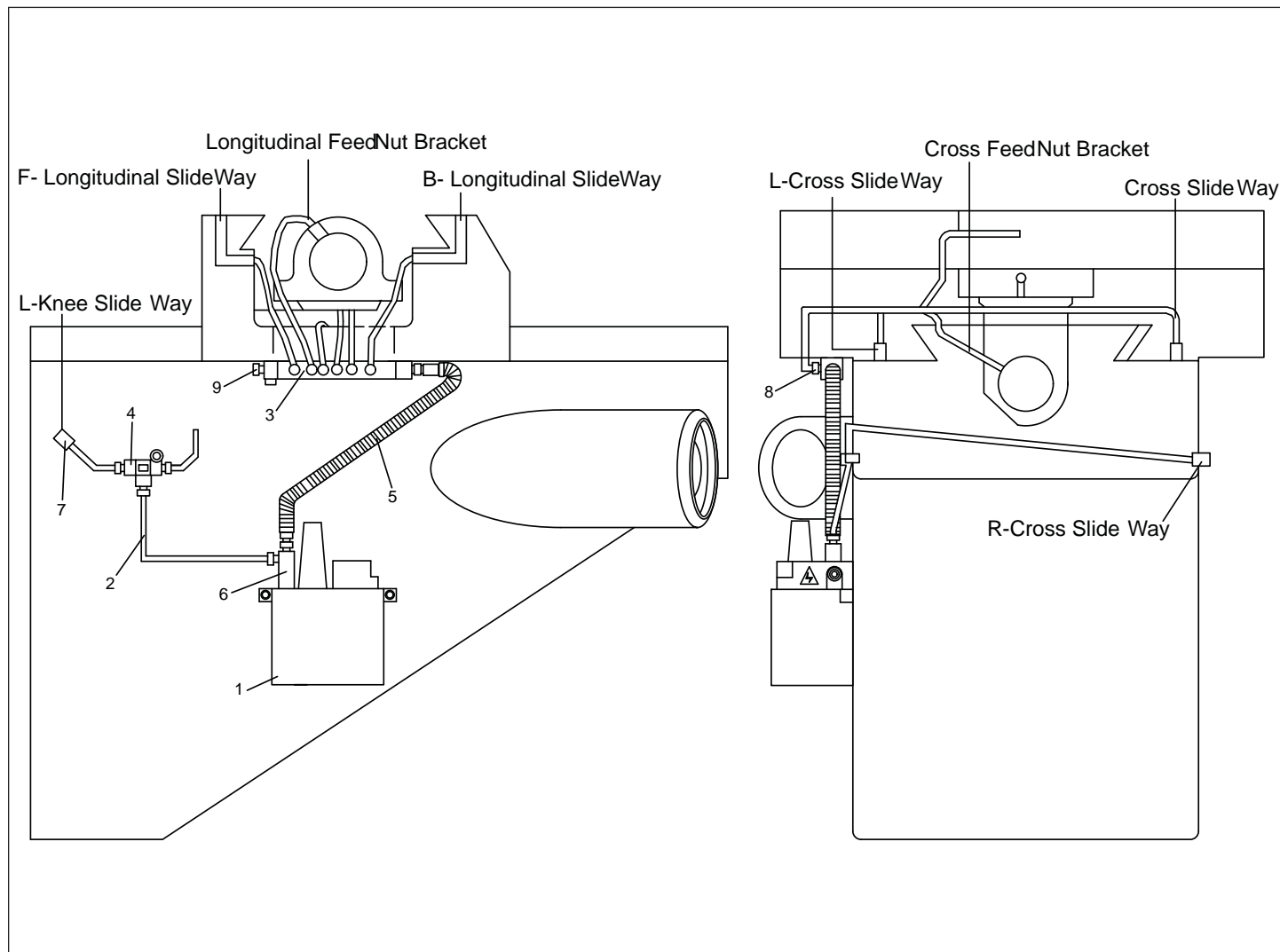
SPINDLE SHAFT GUARD ASSEMBLY — ETM-949, ETM-949EVS



SPINDLE SHAFT GUARD PARTS LIST

Index No.	Part No.	Description	Size	Qty.
1	ETM949-H01	Snap Ring C-Type	S-16	1
2	ETM949-H02	Cover		1
3	TS-1503021	Set Screw	M6x10	1
4	ETM949-H04	Shaft		1
5	TS-1502051	Hex Socket Head Cap Screw	M5x20	1
6	ETM949-H06	Guard mounting plate (I)		1
7	ETM949-H07	Guard mounting plate (II)		1
8	ETM949-H08	Guard		1
9	ETM949-H09	Hex Socket Head Cap Screw	M6x15	1
10	TS-1503051	Hex Socket Head Cap Screw	M6x20	1

LUBRICATION SYSTEM ASSEMBLY — ETM-949, ETM-949EVS



LUBRICATION SYSTEM PARTS LIST

Index No.	Part No.	Description	Size	Qty.
1	ETM949-B79	Automatic Oiler		1
2	ETM949-I02	Aluminum Pipe		1
3	ETM949-I03	Oil Regulating Distributor		1
3A	ETM949-I03A	Oil Regulating Distributor Assembly (includes #3-5, 7-9)		1
4	ETM949-I04	T-Joint		1
5	ETM949-I05	Flexible Steel Tube		1
6	ETM949-I06	Check Joint		2
7	ETM949-I07	Elbow Joint		2
8	ETM949-I08	Straight Joint		14
9	ETM949-I09	Union		1