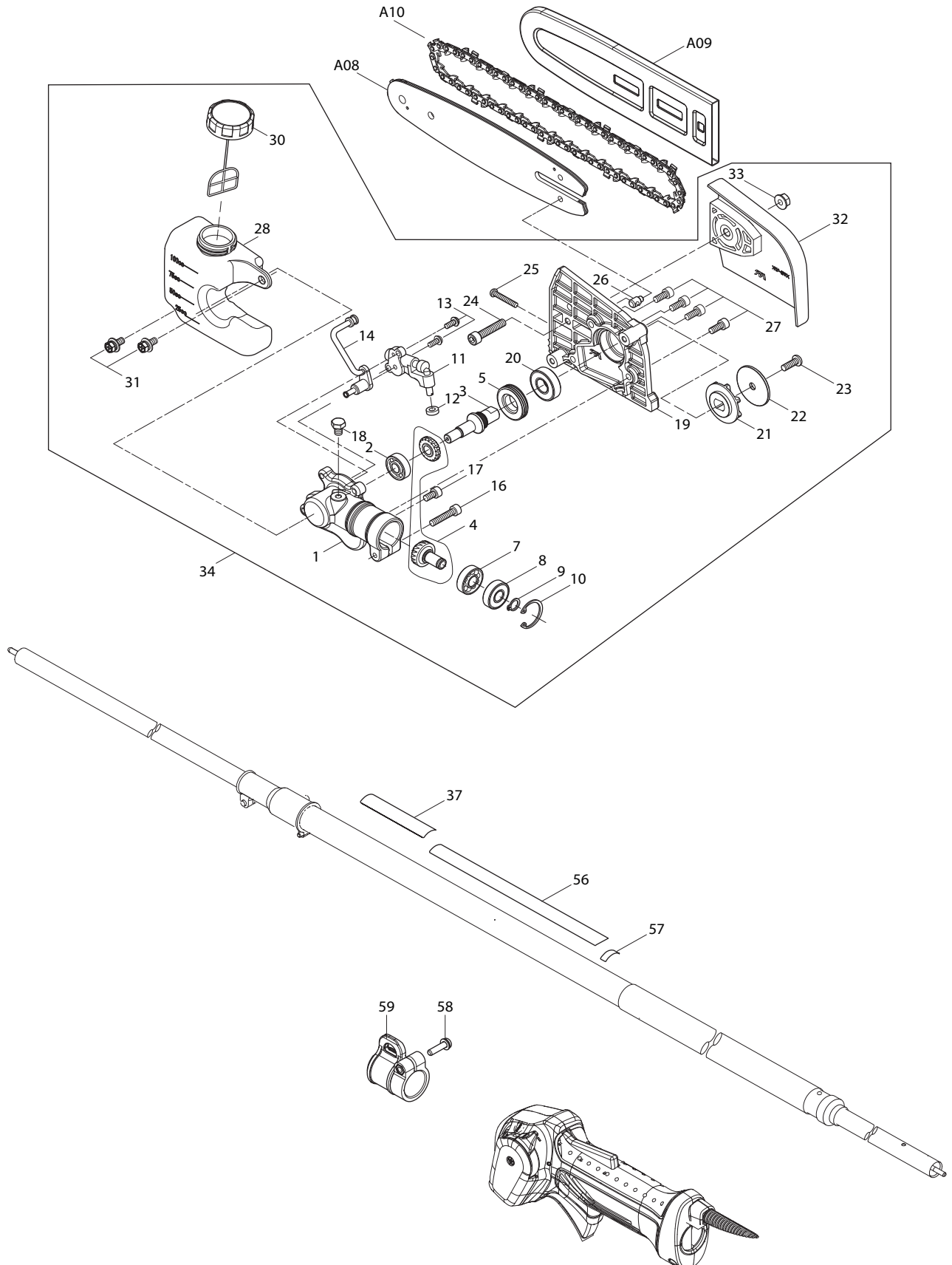
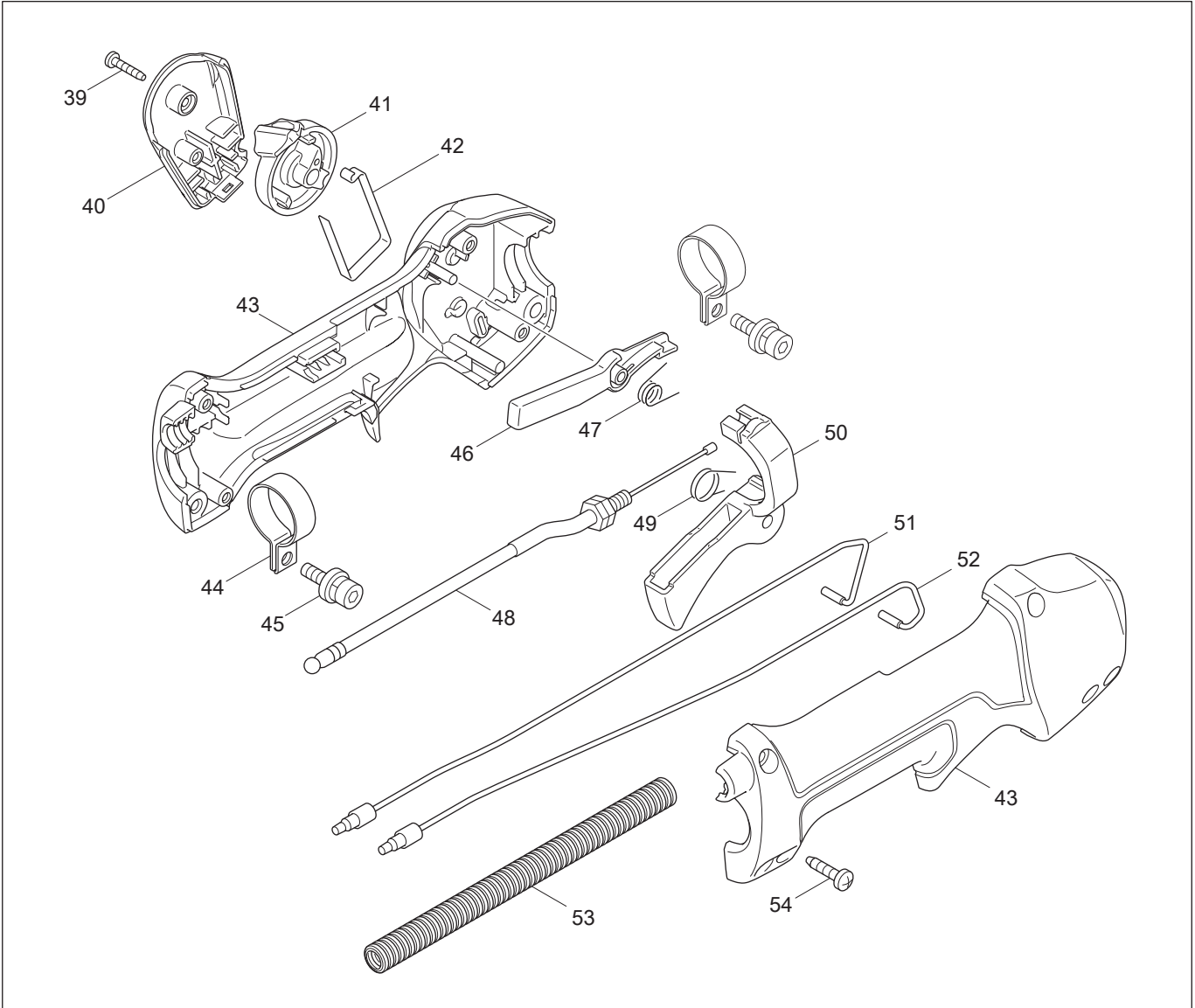


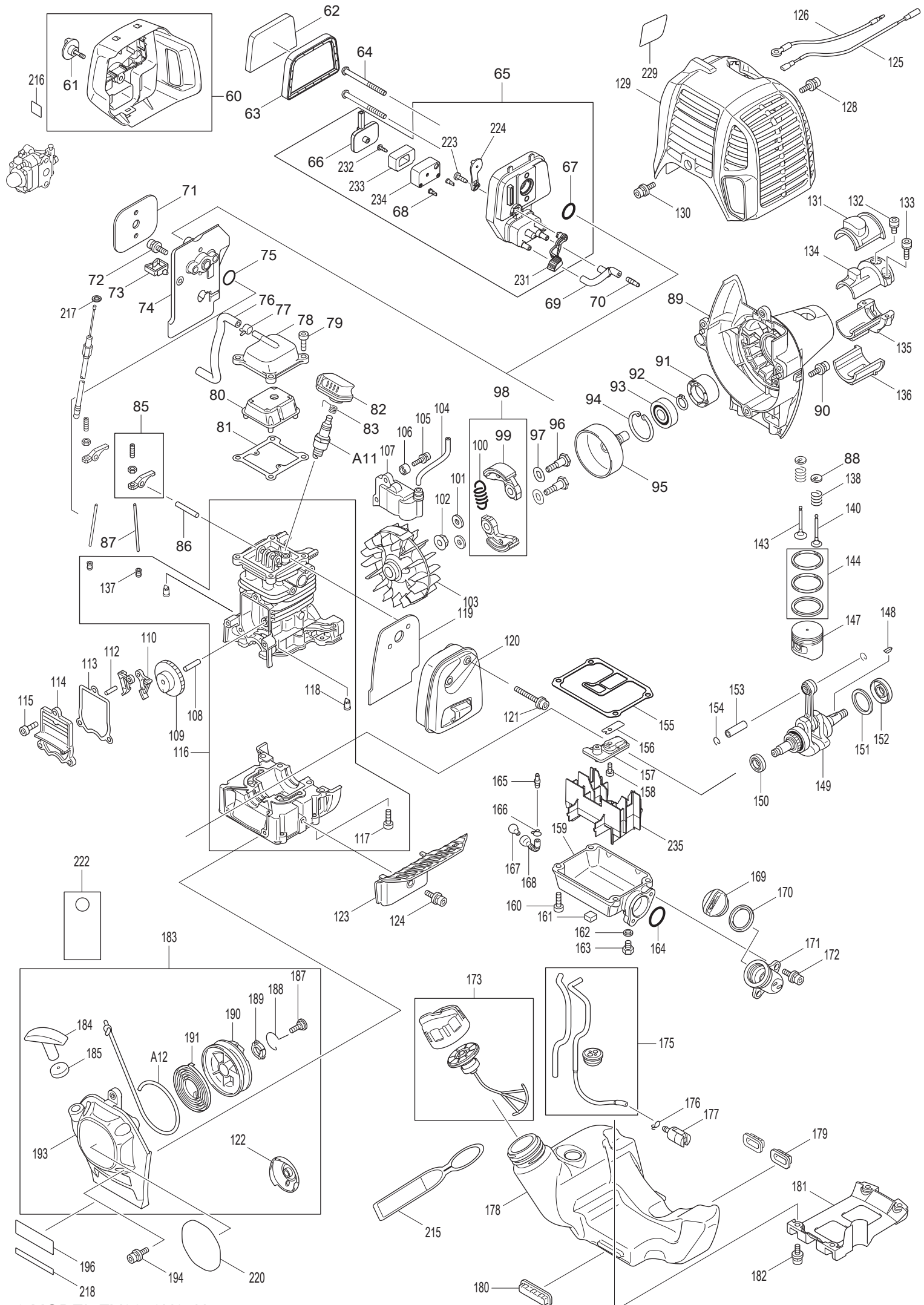


02 - 2014
EY2650H25H
25.4CC TELESCOPIC POLE SAW

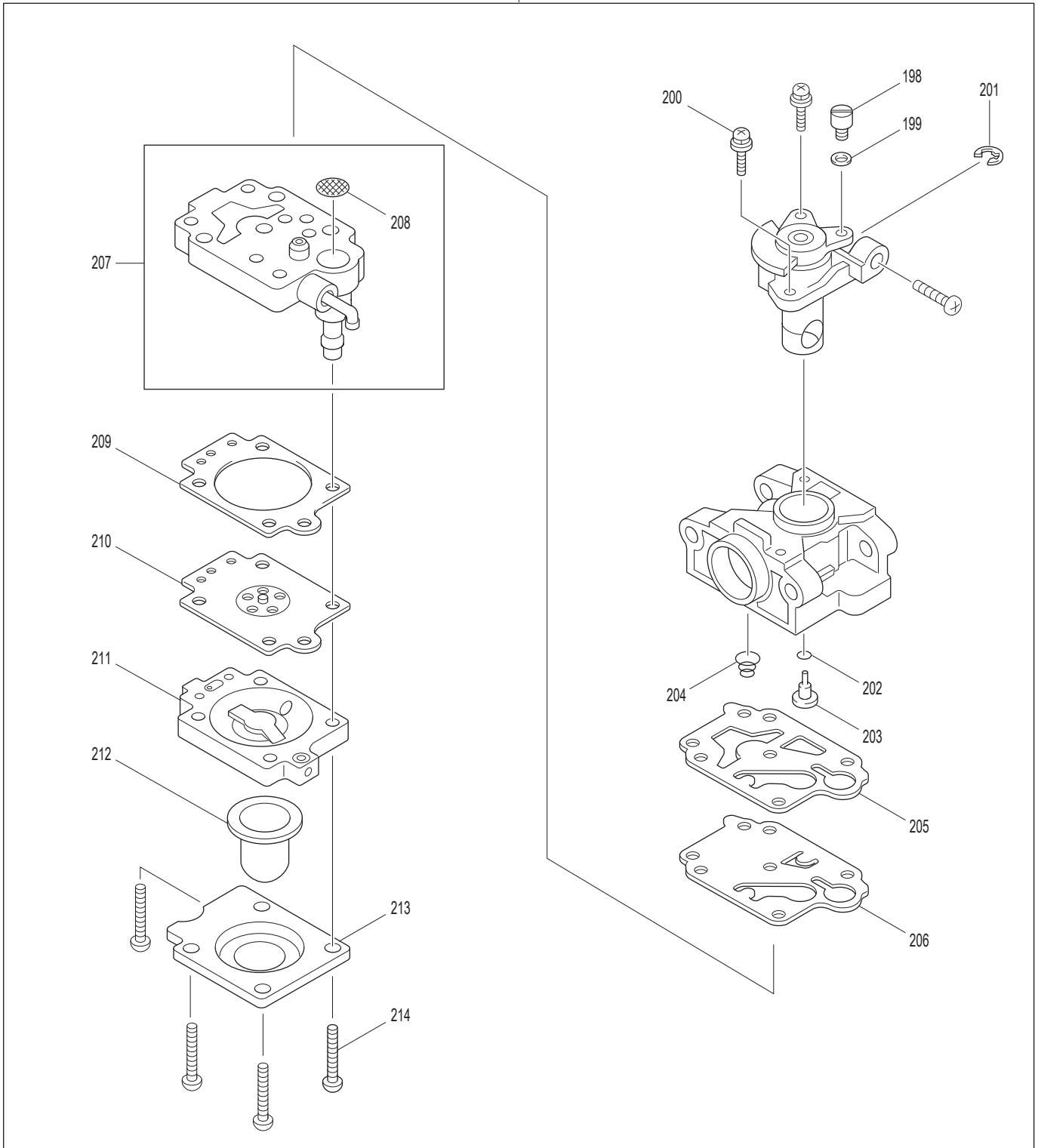


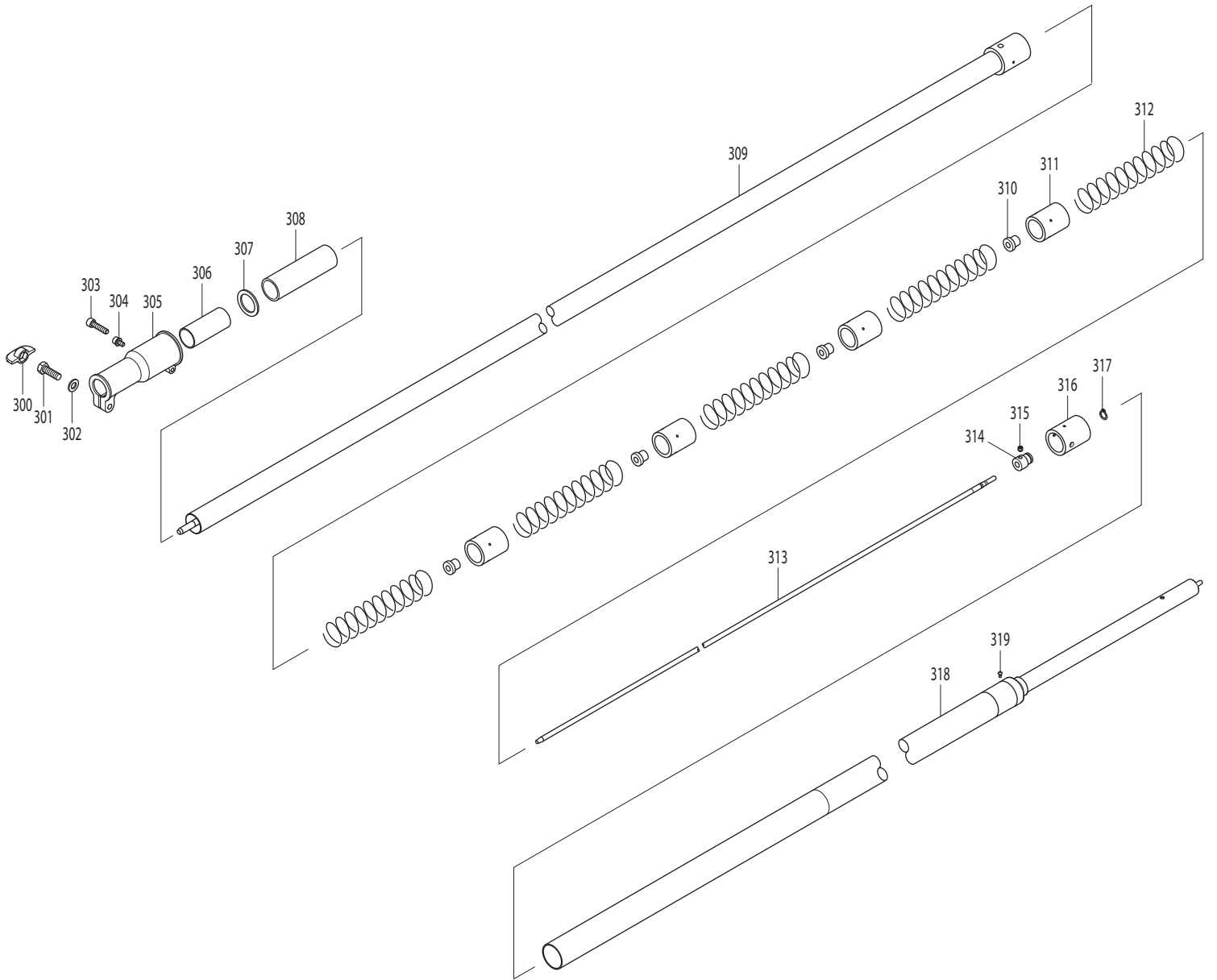


38



3 MODEL EY2650H25H





Item	Type	Part No	Description	Qty	Unit
1		XTM0000001	GEAR CASE A	1	PC.
2		XTM0000002	BALL BEARING 608	1	PC.
3	1	XTM0000003	GEAR SHAFT	1	PC.
	2	XTM0000024	GEAR SHAFT	1	PC.
4		XTM0000004	BEVEL GEAR SET	1	PC.
5		XTM0000005	WORM WHEEL	1	PC.
7		XTM0000006	BALL BEARING 609	1	PC.
8		XTM0000007	BALL BEARING 609Z	1	PC.
9		961005-4	RETAINING RING S-9	1	PC.
10		962103-7	RETAINING RING R-24	1	PC.
11	1	XTM0000008	OIL PUMP	1	PC.
	2	XTM0000025	OIL PUMP	1	PC.
12		XTM0000009	SEAL	1	PC.
13		911111-5	PAN HEAD SCREW M4X10	2	PC.
14		XTM0000010	OIL PIPE ASS'Y	1	PC.
16		922242-5	HEX. SOCKET HEAD BOLT M5X25	1	PC.
17		922207-7	HEX. SOCKET HEAD BOLT M5X10	1	PC.
18		XTM0000011	HB BOLT 6X8	1	PC.
19	1	XTM0000012	* GEAR CASE B	1	PC.
	2	XTM0000026	* GEAR CASE B	1	PC.
	3	XTM0000027	* GEAR CASE B	1	PC.
20		XTM0000013	BALL BEARING 6001DDW	1	PC.
21		XTM0000014	SPROCKET	1	PC.
22		XTM0000015	SPECKET WASHER	1	PC.
23		XTM0000016	H.S. BOTTON HEAD SCREW M6X15	1	PC.
24		922352-8	HEX. SOCKET HEAD BOLT M6X30	1	PC.
25		XTM0000017	ADJUSTER SCREW M4X25	1	PC.
26		XTM0000018	ADJUSTER	1	PC.
27		922212-4	HEX. SOCKET HEAD BOLT M5X12	4	PC.
28		XTM0000019	OIL TANK ASS'Y	1	PC.
30		XTM0000020	TANK CAP ASS'Y	1	PC.
31		XTM0000021	H.S.H.BOLT M5X12SW	2	PC.
32		XTM0000022	CHAIN COVER	1	PC.
33		XTM0000023	FLANGE NUT M6	1	PC.
34	1	142615-8	* POLE SAW HEAD COMPLETE	1	PC.
	INC.	803K89-1	* INDICATION LABEL	1	PC.
	INC.		* INC. 1-5,7-14,16-28,30-33		
	2	143197-3	* POLE SAW HEAD COMPLETE	1	PC.
	INC.	803K89-1	* INDICATION LABEL	1	PC.
	INC.		* INC. 1-5,7-14,16-28,30-33		
37	1	819312-8	MAKITA LOGO LABEL	1	PC.
	2	808D12-9	MAKITA LOGO LABEL	1	PC.
38		126488-7	CONTROL LEVER ASSEMBLY	1	PC.
	INC.		INC. 39-54		
39		266130-9	TAPPING SCREW BIND PT 3X16	1	PC.
40		451595-0	SWITCH COVER	1	PC.
41		451594-2	SWITCH LEVER	1	PC.
42		232251-9	LEAF SPRING	1	PC.
43		188832-6	LEVER CASE SET	1	SET
44		346248-3	CLAMP 24	2	PC.
45		922218-2	H.S.H.BOLT M5X14 WITH WR	2	PC.
46		451593-4	LOCK LEVER	1	PC.
47		233541-3	TORSION SPRING 7	1	PC.
48		168571-4	CONTROL CABLE	1	PC.
49		233540-5	TORSION SPRING 11	1	PC.
50		455313-8	THROTTLE LEVER	1	PC.
51		638714-7	LEAD UNIT	1	PC.
52		638713-9	LEAD UNIT	1	PC.
53		452071-7	CORRUGATE TUBE	1	PC.
54		266326-2	TAPPING SCREW 4X18	4	PC.
56		803K76-0	CAUTION LABEL	1	PC.
57		814E64-6	SERIAL NO. LABEL	1	PC.
58		911233-1	PAN HEAD SCREW M5X20	1	PC.
59		168478-4	HANGER	1	PC.
60		126202-1	CLEANER COVER ASSEMBLY	1	PC.

Item	Type	Part No	Description	Qty	Unit
	INC.		INC. 61		
61		265791-2	THUMB SCREW M4X14	1	PC.
62		443171-4	AIR CLEANER ELEMENT	1	PC.
63		443169-1	AIR CLEANER ELEMENT	1	PC.
64		266618-9	H.S.BUTTON HEAD BOLT M5X60	2	PC.
65		126198-6	CLEANER PLATE ASSEMBLY	1	PC.
	INC.		INC. 66-68,223,224,231-234		
66		162346-3	SEPARATOR PLATE	1	PC.
67		213540-1	O RING 15	1	PC.
68		424316-3	CHECK VALVE	2	PC.
69		422099-9	PIPE	1	PC.
70		325665-0	JOINT PIPE	1	PC.
71		442153-3	CARBURETOR GASKET	1	PC.
72		266787-6	H.S.H.BOLT M5X18 WITH WR	2	PC.
73		451825-9	CLAMP	1	PC.
74		451729-5	INSULATOR	1	PC.
75		213547-7	O-RING 12	1	PC.
76		422109-2	BREATHER PIPE	1	PC.
77		345918-1	HOSE CLAMP	1	PC.
78		318745-9	ROCKER COVER OUTER	1	PC.
79		922222-1	HEX. SOCKET HEAD BOLT M5X16	4	PC.
80		453860-3	ROCKER COVER INNER	1	PC.
81		162304-9	ROCKER COVER GASKET	1	PC.
82		424302-4	PLUG CAP	1	PC.
83		324891-8	PLUG CAP SPRING	1	PC.
85		125554-7	ROCKER ARM ASSEMBLY	2	PC.
86		256200-2	PIN 5	1	PC.
87		256865-0	ROD 2.5	2	PC.
88		325668-4	SPRING RETAINER	2	PC.
89		451735-0	CLUTCH CASE	1	PC.
90		922228-9	H.S.H.BOLT M5X18 WITH WR	3	PC.
91		450569-8	SPACER	1	PC.
92		961052-5	RETAINING RING S-12	1	PC.
93		210111-5	BALL BEARING 6201LLU	1	PC.
94		962151-6	RETAINING RING R-32	1	PC.
95		165747-4	CLUTCH DRUM COMPLETE	1	PC.
96		266864-4	SHOULDER HEX. BOLT M6X25	2	PC.
97		267817-6	WASHER 8	2	PC.
98		126135-0	CLUTCH ASSEMBLY	1	PC.
	INC.		INC. 99.100		
99	1	168498-8	CLUTCH SHOE	2	PC.
	2	161332-1	CLUTCH SHOE	2	PC.
100		231881-3	TENSION SPRING 7	1	PC.
101		267812-6	WASHER 6	2	PC.
102		264039-9	CONED DISK SPRING HEXNUT M8-13	1	PC.
103		318569-3	FLYWHEEL	1	PC.
104		444021-6	TUBE	1	PC.
105		266602-4	HEX. SOCKET HEAD BOLT M4X20	2	PC.
106		452049-0	SPACER	2	PC.
107		168559-4	IGNITION COIL	1	PC.
108		268238-5	PIN 5	1	PC.
109		125552-1	CAM GEAR ASSEMBLY	1	PC.
110		313169-4	CAM LIFTER	2	PC.
112		268239-3	PIN 4	1	PC.
113		162274-2	CAM GEAR COVER GASKET	1	PC.
114		318443-5	CAM GEAR COVER	1	PC.
115		922222-1	HEX. SOCKET HEAD BOLT M5X16	3	PC.
116		135478-9	CYLINDER BLOCK ASSEMBLY	1	PC.
	INC.		INC. 117,118,137		
117		922222-1	HEX. SOCKET HEAD BOLT M5X16	6	PC.
118		424201-0	CHECK VALVE	2	PC.
119		346331-6	MUFFLER GASKET	1	PC.
120		168554-4	EXHAUST MUFFLER	1	PC.
121		266440-4	HEX SOCKET HEAD BOLT M5X40	2	PC.
122		168483-1	PULLEY	1	PC.

Item	Type	Part No	Description	Qty	Unit
123		451731-8	MUFFLER PLATE	1	PC.
124		922218-2	H.S.H.BOLT M5X14 WITH WR	1	PC.
125		638707-4	LEAD UNIT	1	PC.
126		638708-2	LEAD UNIT	1	PC.
128		922218-2	H.S.H.BOLT M5X14 WITH WR	1	PC.
129		453266-5	CYLINDER COVER	1	PC.
130		922218-2	H.S.H.BOLT M5X14 WITH WR	1	PC.
131		424082-2	BUFFER RUBBER	1	PC.
132		922211-6	HEX. SOCKET HEAD BOLT M5X12	1	PC.
133		922226-3	HEX. SOCKET HEAD BOLT M5X18	2	PC.
134		318249-1	PIPE HOLDER	1	PC.
135		318250-6	PIPE HOLDER	1	PC.
136		424083-0	BUFFER RUBBER	1	PC.
137		424200-2	SPACER	2	PC.
138		234108-0	COMPRESSION SPRING 9	2	PC.
140	1	325669-2	EXHAUST VALVE	1	PC.
	2	326366-3	EXHAUST VALVE	1	PC.
143	1	325670-7	INTAKE VALVE	1	PC.
	2	326367-1	INTAKE VALVE	1	PC.
144		195145-8	PISTON RING SET	1	SET
147		318441-9	PISTON	1	PC.
148		254040-2	WOODRUFF KEY 3	1	PC.
149		126359-8	CRANK SHAFT ASSEMBLY	1	PC.
	INC.		INC. 150-152		
150		213148-1	OIL SEAL 10	1	PC.
151		267400-9	FLAT WASHER 23	1	PC.
152		213147-3	OIL SEAL 12	1	PC.
153		257781-9	PISTON PIN	1	PC.
154		233976-8	CLIP	2	PC.
155		162345-5	OIL CASE GASKET	1	PC.
156		346083-9	LEAD VALVE	1	PC.
157		318910-0	RETAINER PLATE	1	PC.
158		922112-8	HEX. SOCKET HEAD BOLT M4X10	1	PC.
159		318588-9	OIL CASE	1	PC.
160		922222-1	HEX. SOCKET HEAD BOLT M5X16	4	PC.
161		424344-8	DAMPER	1	PC.
162		346305-7	GASKET	1	PC.
163		266611-3	HEX BOLT M6X8	1	PC.
164		213548-5	O-RING 20	1	PC.
165		325665-0	JOINT PIPE	1	PC.
166		282020-8	* HOSE CLAMP (Type 2: A component of #125805-8)	1	PC.
167		325666-8	* OIL WEIGHT(Type 2: A component of #125805-8)	1	PC.
168	1	424301-6	* OIL TUBE	1	PC.
	2	125805-8	* OIL TUBE ASSEMBLY	1	PC.
	INC.	424301-6	* OIL TUBE	1	PC.
	INC.		* Item No. 166, 167		
169		452047-4	OIL CAP	1	PC.
170		424343-0	GASKET	1	PC.
171		452048-2	OIL PIPE	1	PC.
172		922218-2	H.S.H.BOLT M5X14 WITH WR	2	PC.
173		125728-0	FUEL TANK CAP ASSEMBLY	1	PC.
175		168775-8	TUBE COMPLETE	1	PC.
176		282020-8	HOSE CLAMP	1	PC.
177		163518-3	GASOLINE FILTER	1	PC.
178	1	454010-3	* FUEL TANK	1	PC.
	2	123419-7	* FUEL TANK ASSEMBLY	1	PC.
	INC.		* Item No. 173, 175-177		
179		424080-6	BUFFER RUBBER	2	PC.
180		424081-4	BUFFER RUBBER	1	PC.
181		451737-6	TANK GUARD	1	PC.
182		922218-2	H.S.H.BOLT M5X14 WITH WR	4	PC.
		195308-6	RECOIL STARTER SET	1	PC.
	INC.		INC. 122,184,185,187-191, A11, 193		
184		424319-7	STARTER KNOB	1	PC.
185		424359-5	DAMPER	1	PC.

Item	Type	Part No	Description	Qty	Unit
187		266585-8	TAPPING SCREW 5X12	1	PC.
188		325923-4	SWING ARM	1	PC.
189		451938-6	COLLAR	1	PC.
190		451937-8	REEL	1	PC.
191		232258-5	SPIRAL SPRING	1	PC.
193		451733-4	STARTER CASE	1	PC.
194		922223-9	H.S.H.BOLT M5X16 WITH WR	4	PC.
196		816565-0	MAKITA LOGO LABEL	1	PC.
197		168762-7	CARBURETOR	1	PC.
	INC.		INC. 198-207,209-214		
198		325922-6	SWIVEL	1	PC.
199		413140-9	WASHER	1	PC.
200	1	266581-6	PAN HEAD SCREW M3X8 WITH W	2	PC.
	2	WJ00096364	SCREW M3X8 WITH WASHER	2	PC.
201		257964-1	STOP RING E-3	1	PC.
202		213538-8	O RING 2	1	PC.
203		325985-2	JET	1	PC.
204		234183-6	CONICAL COMPRESSION SPRING 5-9	1	PC.
205		442155-9	PUMP GASKET	1	PC.
206		168575-6	PUMP DIAPHRAGM	1	PC.
207		141737-1	PUMP BODY	1	PC.
	INC.		INC. 208		
208		352021-1	INLET SCREEN	1	PC.
209		442154-1	METERING DIAPHRAGM GASKET	1	PC.
210		168620-7	METERING DIAPHRAGM	1	PC.
211		140438-8	AIR PURGE BODY	1	PC.
212		424314-7	PRIMER PUMP	1	PC.
213		346270-0	PRIMER PUMP COVER	1	PC.
214		266582-4	TAPPING SCREW 3X24	4	PC.
215		810455-9	CAUTION PLATE	1	PC.
216		800F73-7	INDICATION LABEL	1	PC.
217		941151-9	FLAT WASHER 6	1	PC.
218		816567-6	SERIAL NO LABEL	1	PC.
220		803K90-6	MODEL NO. LABEL F/EY2650H	1	PC.
222		819432-8	CAUTION TAG	1	PC.
223		266427-6	TAPPING SCREW 4X12	1	PC.
224		452219-1	CHOKE PLATE	1	PC.
229		816566-8	GAS EMISSION APPROVAL LABEL (N/L/A)	1	PC.
231		452220-6	CHOKE LEVER	1	PC.
232		266007-8	TAPPING SCREW BIND PT 3X10	1	PC.
233		352020-3	SEPARATOR MESH	1	PC.
234		453865-3	SEPARATOR CASE	1	PC.
235		453862-9	OIL CASE PLATE	1	PC.
300		TF6116068B	KNOB	1	PC.
301		TF119F0840	HEX BOLT M8X40	1	PC.
302		TF411M0800	FLAT WASHER	1	PC.
303		TF120S0625	HEX.SOCKET HEAD BOLT (M6X25)	1	PC.
304		TF120S0510	HEX.SOCKET HEAD BOLT (M5X10)	1	PC.
305		TF2616001A	SLIDE HOLDER	1	PC.
306		TF6126008A	SLEEVE	1	PC.
307		TF3651008A	SLIDE HOLDER WASHER	1	PC.
308		TF6362070A	CUSHION TUBE	1	PC.
309	1	TF3312328A	MAIN PIPE ASSY	1	PC.
	2	142602-7	TELESCOPIC PIPE COMPLETE	1	PC.
	INC.	TF3312328A	MAIN PIPE ASSY	1	PC.
	INC.		Item No. 56, 300-319		
310		TF6126009A	DRIVE BUSH	4	PC.
311		TF6126010A	BUSH HOLDER	4	PC.
312		TF5313012A	COMPRESSION SPRING 30	5	PC.
313		TF4117027A	DRIVE SHAFT	1	PC.
314		TF4613005B	SET COLLAR	1	PC.
315		TF290Q0506	HEX.SOCKET HEAD SET SCREW M5X6	1	PC.
316		TF6126010A	BUSH HOLDER	1	PC.
317		TF480J1200	SNAP RING (S-12)	1	PC.
318	1	TF3318145A	GUIDE PIPE ASSY (SILVER)	1	PC.

Item	Type	Part No	Description	Qty	Unit
	2	TF3318145B	GUIDE PIPE ASSY (BLACK)	1	PC.
319		TF244F0408	+ TH TAP SCREW M4X8	1	PC.
320		286284-6	* CAP (Added)	1	PC.
400	1	135599-7	SHORT BLOCK ASS'Y 25.4CC	1	PC.
	INC.		INC. 85-88,108-110,112-116,		
	INC.		INC. 138,140,143,144,147,149,		
	INC.		INC. 153,154		
	2	135668-4	SHORT BLOCK ASSEMBLY 25.4CC	1	PC.
	INC.		INC. 85-88,108-110,112-116,		
	INC.		INC. 138,140,143,144,147,149,		
	INC.		INC. 153,154		

ACCESSORIES

- See Catalogue or visit www.makita.ca for more accessories -

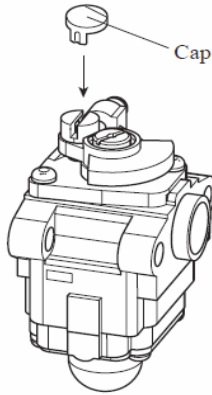
A01		125516-5	BAND ASSEMBLY	1	PC.
A02		195246-2	SAFETY GOGGLE	1	PC.
A03		-----	CHAIN OIL	1	PC.
A04		831304-7	ACCESSORY BAG	1	PC.
A05		782233-6	BOX DRIVER 10-16	1	PC.
A06		783020-6	- DRIVER	1	PC.
A07		783223-2	WRENCH 4	1	PC.
A08		165695-7	GUIDE BAR 10, 3/8" 50G	1	PC.
A09		452093-7	GUIDE BAR CASE F/10"	1	PC.
A10		196142-7	3/8" SAW CHAIN SET 50G 10"	1	PC.
A11		168534-0	SPARK PLUG	1	PC.
A12		444023-2	STARTER ROPE 2.8DIA.X0.95M	1	PC.

SERVICE CHANGES

1. Addition of Cap on Swivel

(TI#A3925)

Item No.	Description	Type 1	Type 2
320	Cap	-----	286284-6

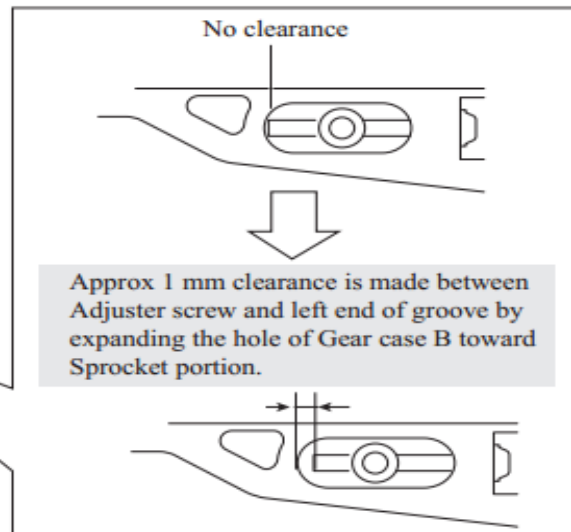
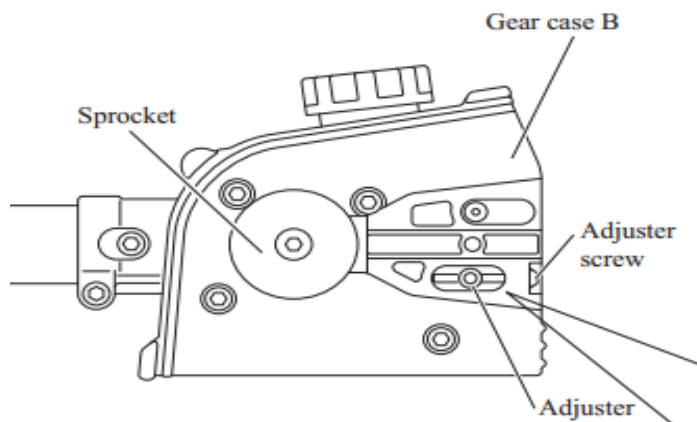


2. Change on Gear Case B

Item No.	Description	Type 1	Type 2
19	Pole Saw Head Complete	142615-8	143197-3
19	Gear Case B	XTM0000026	XTM0000027

(TI#A6575)

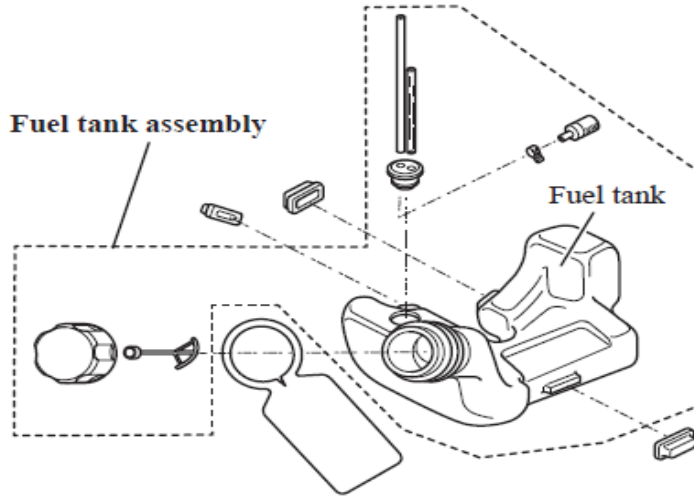
(TI#Y06873)



3. Changes on Fuel Tank

(TI#A7689)

Item No.	Description	Type 1	Type 2
178	Fuel Tank >> Fuel Tank Assembly	454010-3	123419-7
	Inc.	-----	Item No. 173, 175-177



4. Changes on OIL TUBE

(TI#Y07151)

Item No.	Description	Type 1	Type 2
166	HOSE CLAMP	282020-8	Included in 125805-8
167	OIL WEIGHT	325666-8	Included in 125805-8
168	OIL TUBE ASSEMBLY	-----	125805-8
	OIL TUBE	424301-6	Included in 125805-8