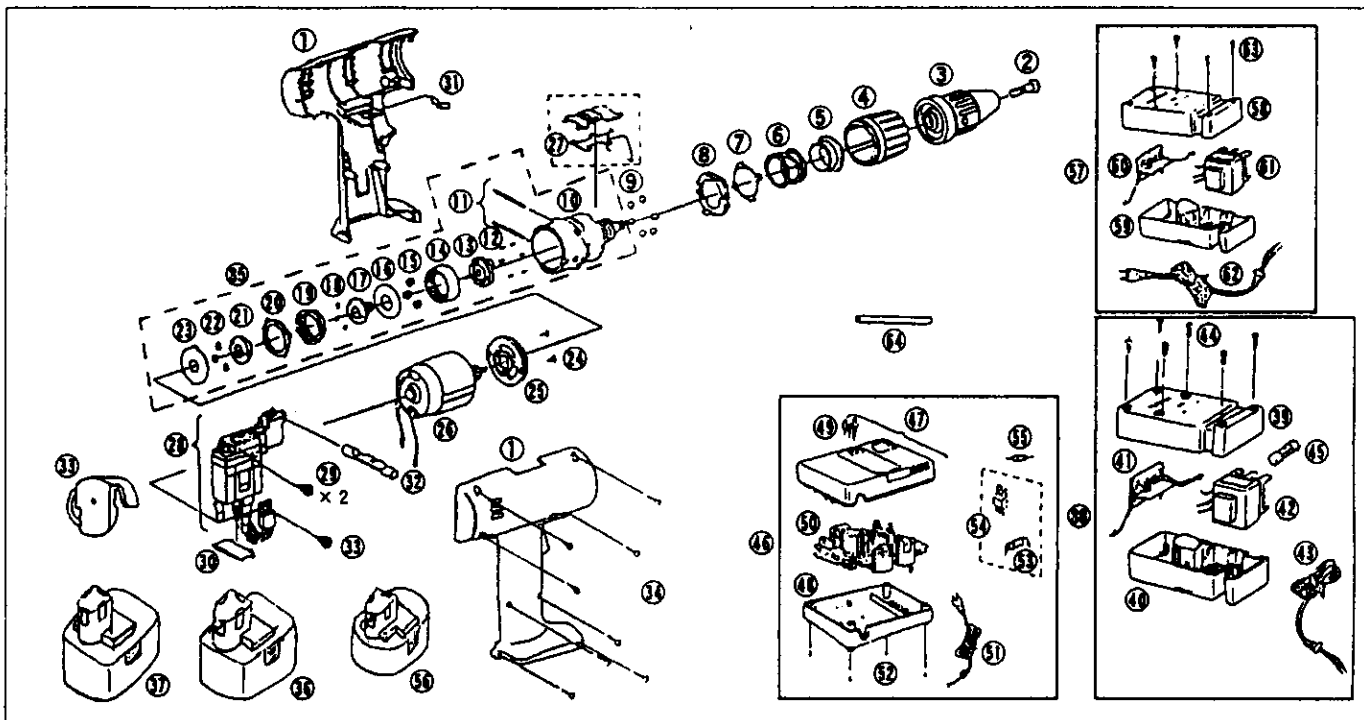


## EXPLODED VIEW



## REPLACEMENT PARTS LIST

Ref No.	EY6100	EY6181	Parts Name & Descriptions	Per set	Remarks
	Parts No.	Parts No.			
1	EY6100K3078	EY6181K3078	HOUSING AB SET	1	
2	EY57086807	EY57086807	CHUCK FASTENING SCREW	1	
3	EY9791B	EY9791B	KEYLESS DRILL CHUCK	1	
4	EY6481H3227	EY6481H3227	CLUTCH HANDLE	1	
5	EY6481L0637	EY6481L0637	ADJUSTING SCREW	1	
6	EY6100L0168	EYT184L0167	SPRING FOR CLUTCH	1	
7	EY6481L0457	EY6481L0457	CLICK PLATE	1	
8	EYT184L0577	EYT184L0577	CLUTCH PLATE	1	
9	EY56086967	EY56086967	STEEL BALL	12	* B
10	EY6481L1067	EY6481L1067	DRIVING BLOCK	1	
11	EY6481L0357	EY6481L0357	THRUST PIN SET	2	
12	EY6207B0377	EY6207B0377	ROLLER PIN	6	* B
13	EY6207B1117	EY6283L1117	CARRIER	1	
14	EY56081457	EY56081457	RING GEAR A	1	
15	EY6200B1357	EY56081357	PLANET GEAR A	3	* B
16	EY6200B0857	EY6200B0857	THRUST PLATE	1	
17	EY6401L1357	EY6481L1357	CARRIER	1	
18	EY6207B1347	EY56081367	PLANET GEAR SET	3	* B
19	EY6481L1457	EY6481L1457	RING GEAR A	1	
20	EY6481L1467	EY6481L1467	RING GEAR B	1	
21	EY6401B1107	EY6481L1107	CARRIER A	1	
22	EY6200B1367	EY6200B1367	PLANET GEAR B	3	* B
23	EY6481L0887	EY6481L0887	THRUST PLATE	1	
24	EYT184L6077	EYT184L6077	SCREW FOR MOTOR	2	
25	EY6100L0028	EY6100L0028	MOTOR MOUNTNG PLATE	1	
26	EY6100L1008	EY6181L1008	MOTOR	1	
27	EY6100H3238	EY6100H3238	CHANGE-GEAR HANDLE	1	
28	EY6100Y2008	EY6100Y2008	SWITCH BLOCK	1	
29	EY6207Y6027	EY6207Y6027	SCREW	2	* C
30	EY6481L0207	EY6481L0207	DUST PREVENTIVE PLATE	1	

## Model EY6100-EY6181

Ref No.	EY6100	EY6181	Parts Name & Descriptions	Per set	Remarks
	Parts No.	Parts No.			
31	EY6481L0177	EY6481L0177	CLICK SPRING	1	
32	EY6481H3247	EY6481H3247	SELECTOR HANDLE	1	
33	EYT184L2567	EYT184L2567	RADIATING PLATE (W/SCREW)	1	
34	EY6100K9068	EY6100K9068	TAPPING SCREW	8	
35	EY6100L1458	EY6181L1458	GEAR BOX BLOCK	1	
36	EY9006B11	_____	BATTERY PACK	1	* A
37	EY9101B11	_____	BATTERY PACK	1	* A
38	EY0001B	_____	BATTERY CHARGER	1	* A
39	EY0001B3098	_____	HOUSING A FOR CHARGER	1	
40	EY0001B3028	_____	HOUSING B FOR CHARGER	1	
41	EY0001B2128	_____	MODULE	1	
42	EY0001B2238	_____	POWER TRANSFORMER	1	
43	EY0001B2058	_____	POWER CORD	1	
44	EY0001B9038	_____	TAPPING SCREW FOR CHARGER	6	
45	EY0001B5278	_____	FUSE	1	
46	EY0202B7658	_____	BATTERY CHARGER	1	* A
47	EY0202B3098	_____	HOUSING A FOR CHARGER	1	
48	EY0202B3028	_____	HOUSING B FOR CHARGER	1	
49	EY0200C0547	_____	LAMP COVER	1	
50	EY0202B2128	_____	MODULE	1	
51	EY0202B2058	_____	POWER CORD	1	
52	EY0001B6237	_____	TAPPING SCREW FOR CHARGER	4	* C
53	EY0202B5258	_____	FUSE	1	
54	EY0202B5028	_____	FUSE & FET SET	1	
55	EY0202B5098	_____	ZENER DIODE	1	
56	_____	EY9086B11	BATTERY PACK	1	* A
57	_____	EY570B7659	BATTERY CHARGER	1	* A
58	_____	EY570B3101	HOUSING A FOR CHARGER	1	
59	_____	EY570B3031	HOUSING B FOR CHARGER	1	
60	_____	EY570B2127	MODULE	1	
61	_____	EY570B2238	POWER TRANSFORMER	1	
62	_____	EY570B2058	POWER CORD	1	
63	_____	EY56186117	TAPPING SCREW FOR CHARGER	6	* C
64	EY570B0347	EY570B0347	LOCK RELEASE ROD	1	

Note : \*A ... available as an optional accessory  
 \*B ... only available as set  
 \*C ... available individually