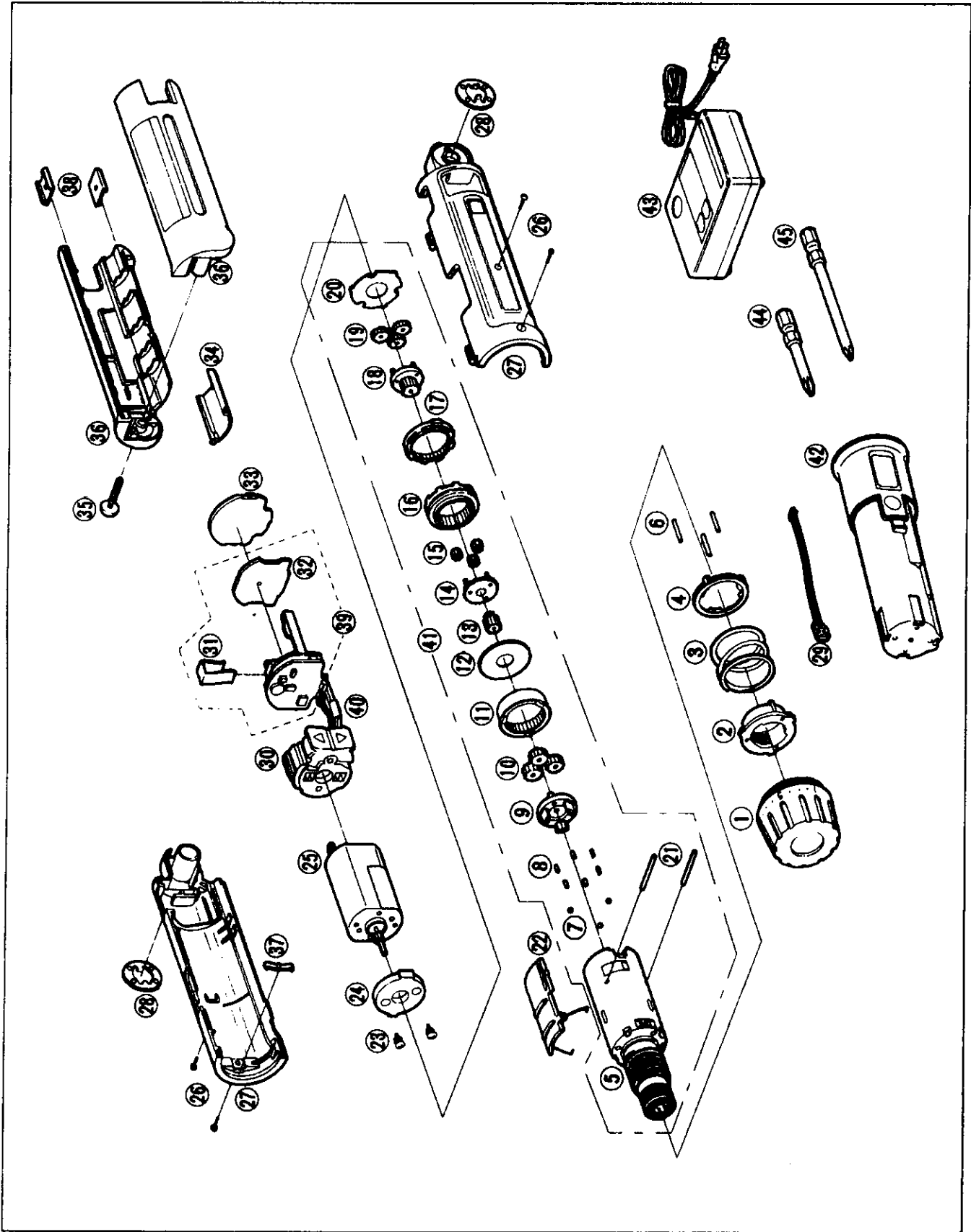


EXPLODED VIEW



REPLACEMENT PARTS LIST

NOTE : *A . . . available as an optional accessory

*B . . . only available as set

*C . . . available individually

Ref.No.	Part No.	Part Name & Descriptions	Per unit	Remarks
1	EY6225Y3227	CLUTCH HANDLE	1	
2	EY6225L0637	ADJUSTING SCREW	1	
3	EY6225L0167	CLUTCH SPRING	1	
4	EY6225L0847	CLUTCH PLATE	1	
5	EY6225L1797	DRIVING BLOCK	1	
6	EY6225L0397	PIN A	3	*B ϕ 3*15.1
7	EY6225L6977	STEEL BALL	3	*B ϕ 3.5
8	EY6225L0387	PIN B	6	*B ϕ 2.5*5.8
9	EY6225L1147	CARRIER D	1	
10	EY6225L1347	PLANET GEAR C	3	*B
11	EY6225L1477	RING GEAR C	1	
12	EY6225L0857	THRUST PLATE	1	
13	EY6225L1117	CARRIER A	1	
14	EY6225L1127	CARRIER B	1	
15	EY6225L1357	PLANET GEAR A	3	*B
16	EY6225L1487	RING GEAR A	1	
17	EY6225L1497	RING GEAR B	1	
18	EY6225L1137	CARRIER C	1	
19	EY6225L1367	PLANET GEAR B	3	*B
20	EY502B0207	INTERNAL PRESSURE	1	
21	EY6225L0377	PIN C	2	*B ϕ 2*20.6
22	EY6225Y3237	CHANGE-GEAR HANDLE	1	
23	EY6225L6027	SCREW	2	*C M3*5
24	EY6225L0027	MOTOR MOUNTING BASE	1	
25	EY6225L1007	MOTOR	1	
26	EY6605L9627	TAPPING SCREW	4	*C 2.6*8
27	EY6225K3078	HOUSING AB SET	1	
28	EY502B0187	CLICK SPRING	2	*C
29	EY6225L2117	DETECTION PCB	1	
30	EY6225Y2008	SWITCH	1	
31	EY6225L0197	SPRING	1	
32	EY6225L2567	RADIATING PLATE	1	
33	EY6225L0207	TERMINAL BASE	1	
34	EY502B0877	HINGE COVER	1	
35	EY502B6217	TAPPING SCREW	1	M4*20
36	EY6225K3938	GRIP AB SET	1	
37	EY6225L0177	CLICK SPRING	1	
38	EY6225L0157	FASTENING CLIP	2	*B
39	EY6225L2107	CONTROL PCB	1	
40	EY6225L0827	TUBE	1	
41	EY6225L1458	GEAR BOX BLOCK	1	
42	EY9025	BATTERY PACK	1	*A
43	EY0225	BATTERY CHARGER	1	*A
▲ 44	EY6225S7888	#1 PHILIPS BIT	1	L=50MM
▲ 45	EY6225S7958	#2 PHILIPS BIT	1	L=50MM
▲ -	EY6225K8008	INDIVIDUAL BOX	1	
▲ -	EY6225K8108	OPERATING INSTRUCTIONS	1	