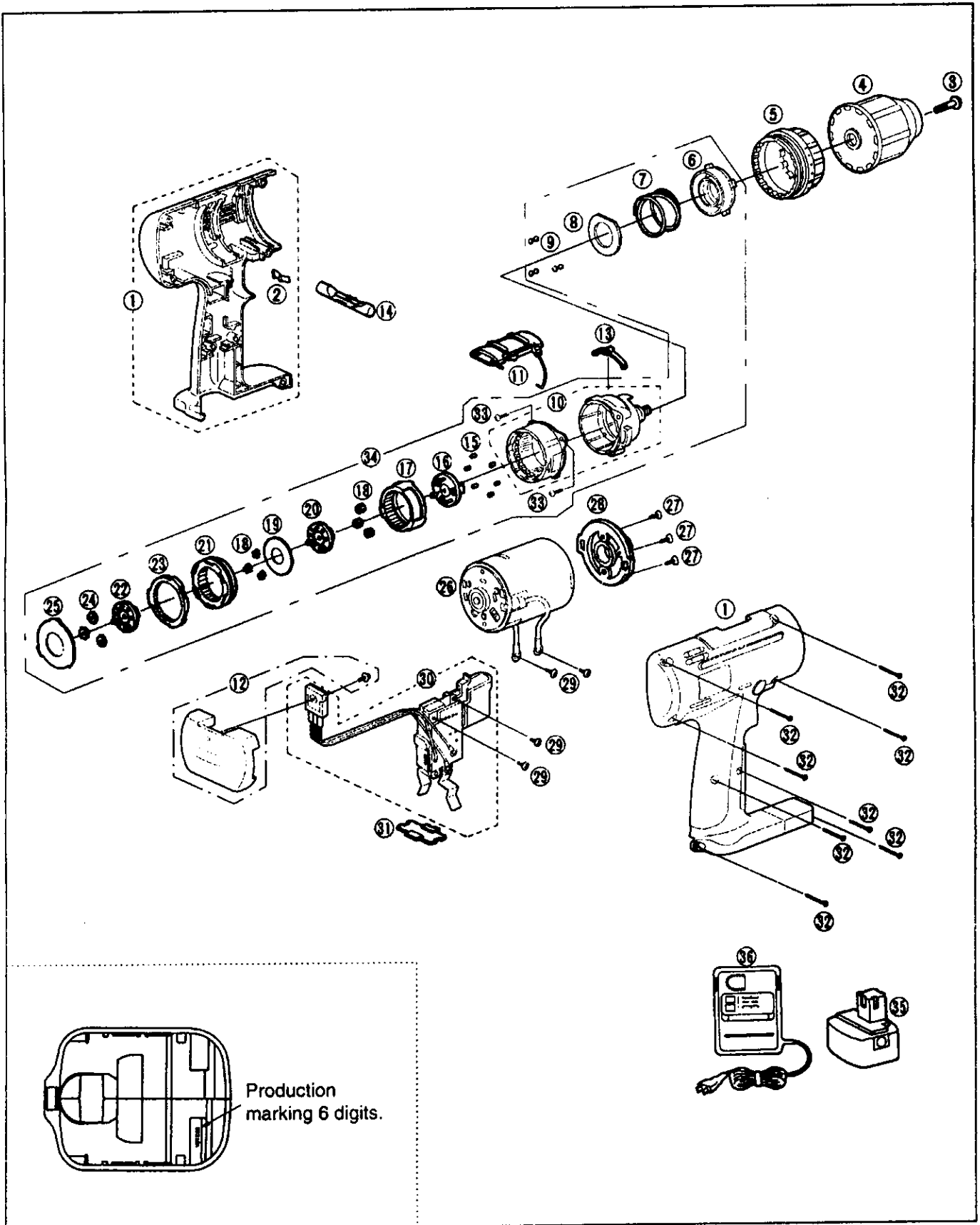


EXPLODED VIEW FOR EY6431



Production marking 6 digits.

REPLACEMENT PARTS LIST FOR EY6431

NOTE : *A . . . available as an optional accessory

*B . . . only available as set

*C . . . available individually

Ref.No.	Part No.	Part Name & Descriptions	Per unit	Remarks
▲ 1	EY6431K3078	HOUSING AB SET	1	
2	EY6481L0177	CLICK SPRING	1	
▲ 3	EYT103L6807	CHUCK FASTENING SCREW	1	
▲ 4	EY9796	KEYLESS CHUCK	1	*A
▲ 5	EY6406Y3228	CLUTCH HANDLE	1	
▲ 6	EY6406L0638	ADJUSTING SCREW	1	
▲ 7	EY6431L0168	CLUTCH SPRING	1	
▲ 8	EY6406L0578	CLUTCH PLATE	1	
9	EY560B6967	STEEL BALL	12	*B ϕ 5
▲ 10	EY6431L1078	DRIVING BLOCK	1	
▲ 11	EY6406Y3238	H/L HANDLE	1	
▲ 12	EY6406L2568	HEAT SINK	1	
▲ 13	EY6406L0178	CLICK SPRING A	1	
▲ 14	EY6402Y3247	F/R SELECTOR HANDLE	1	
15	EY6283L0377	ROLLER PIN	6	*B ϕ 3.175*7.2
▲ 16	EY6406L1118	CARRIER	1	
▲ 17	EY6406L1488	RING GEAR	1	
▲ 18	EY6406L1348	PLANET GEAR	6	*B (3PCS/PK)
▲ 19	EY6406L0858	THRUST PLATE	1	
▲ 20	EY6406L1128	CARRIER A	1	
▲ 21	EY6406L1468	RING GEAR A	1	
▲ 22	EY6406L1108	CARRIER B	1	
▲ 23	EY6406L1478	RING GEAR B	1	
▲ 24	EY6406L1358	PLANET GEAR B	3	*B
▲ 25	EY6406L0888	THRUST PLATE	1	
▲ 26	EY6431L1008	MOTOR	1	
27	EY6230L6027	SCREW	3	*C K3-6
▲ 28	EY6406L0028	MOTOR MOUNTING PLATE	1	
29	EY6207Y6027	SCREW	2	*C K3-5
▲ 30	EY6431Y2008	SWITCH BLOCK	1	
31	EY6230L0207	DUST PREVENTIVE PLATE	1	
▲ 32	EY6230K9218	TAPPING SCREW	8	*C K3-20
▲ 33	EY6406K9038	TORX TAPPING SCREW	4	*C K3-12
▲ 34	EY6431L1458	GEAR BOX BLOCK	1	
▲ 35	EY9136	BATTERY PACK	1	*A
▲ 35	EY9230	BATTERY PACK	1	*A
▲ 36	EY0230	BATTERY CHARGER	1	*A
▲ -	EY9594	TOOL CASE	1	*A
▲ -	EY6406K8108	OPERATING INSTRUCTIONS	1	