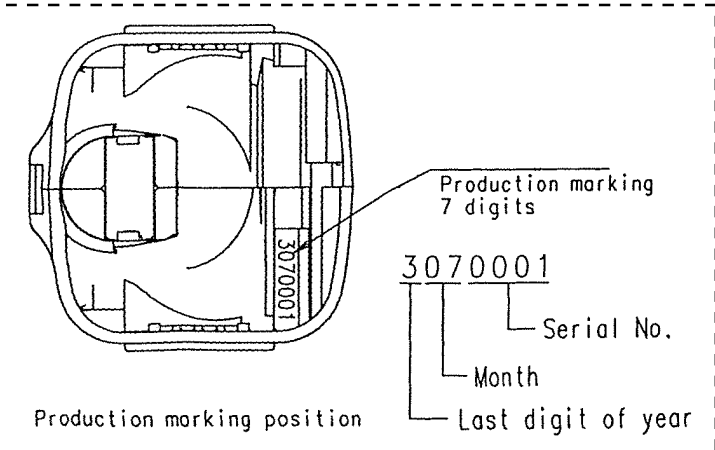
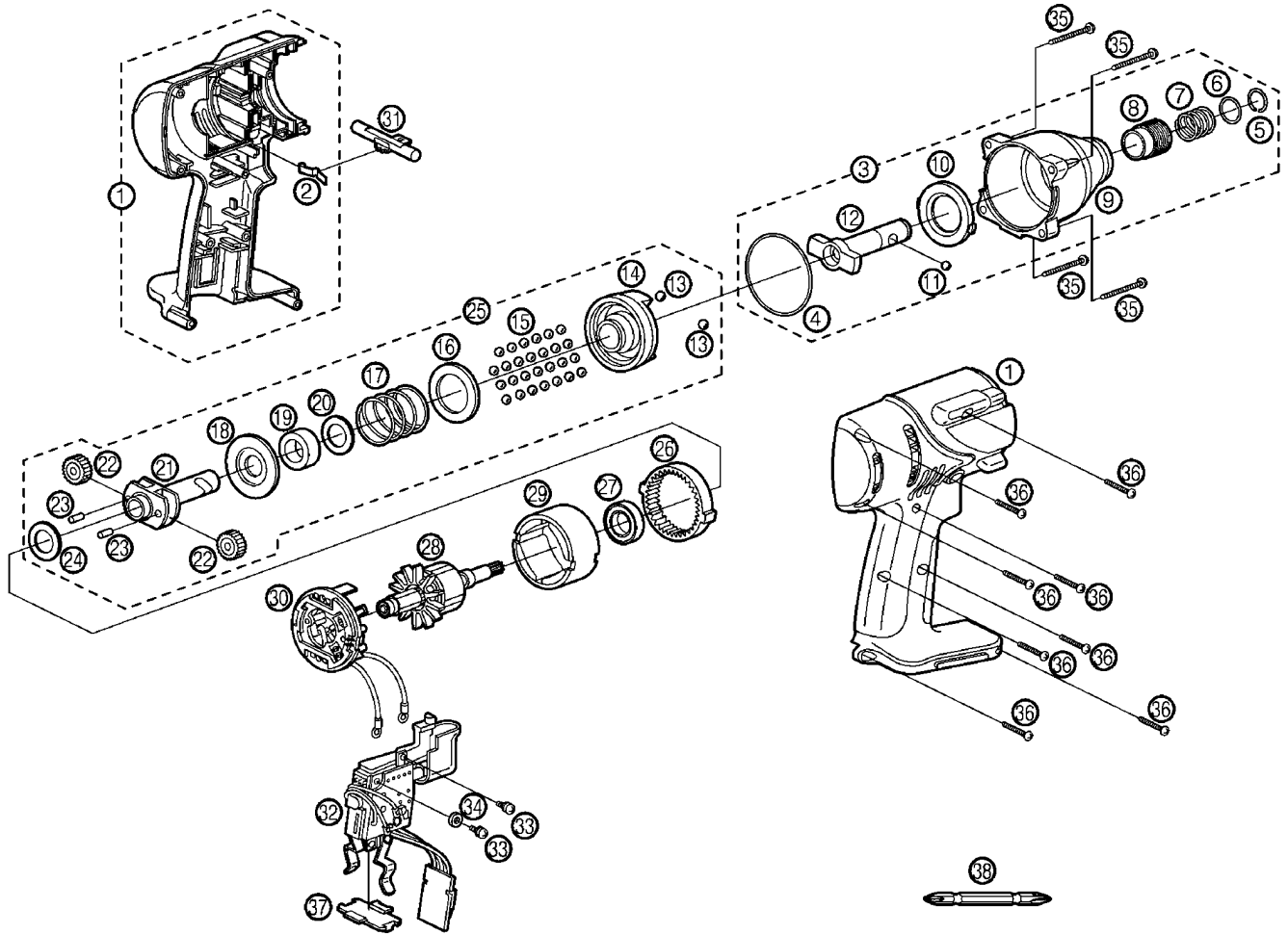


# 5 EXPLODED VIEW



# 6 REPLACEMENT PARTS LIST

## NOTE:

\*B=only available as set

\*C=available individually

Ref.No.	Part No.	Part Name & Description	Remarks			Per Unit
1	WEY6506K3078	HOUSING AB SET				1
2	EY6481L0177	CLICK SPRING				1
3	WEY6506H4057	FIXATION COVER ASSEMBLY				1
4	WEY6504L0987	O-RING		Ø 47		1
5	WEY7300K1167	C-TYPE RING				1
6	WEY6605L0857	THRUST PLATE				1
7	WEY6605L0197	BIT HOLDER SPRING				1
8	WEY6404K3717	BIT HOLDER				1
9	WEY6506H3747	FIXATION COVER				1
10	WEY6505L0867	SLIDER				1
11	EY6225L6977	STEEL BALL		Ø 3.5		1
12	WEY6506L1127	ANVIL				1
13	WEY574B6967	STEEL BALL	*B	(2PCS/PK)		2
14	WEY6506L1377	HAMMER				1
15	WEY7300L6957	STEEL BALL	*B	(27PCS/PK)		27
16	WEY6506L0877	THRUST PLATE				1
17	WEY6506L0157	HAMMER SPRING				1
18	WEY6506L1147	SPRING FIXING PLATE				1
19	WEY6506L0317	DUST PREVENT RUBBER				1
20	WEY6506L0847	THRUST PLATE				1
21	WEY6506L1137	DRIVING SHAFT				1
22	WEY6506L1357	PLANET GEAR	*B	(2PCS/PK)		2
23	WEY6506L1347	PIN	*B	(2PCS/PK)		2
24	WEY6506L0837	THRUST PLATE				1
25	WEY6506L1067	DRIVING BLOCK				1
26	WEY6506L1457	RING GEAR				1
27	WEY6606L4957	BEARING				1
28	WEY6506L1467	MOTOR ROTOR ASSEMBLY				1
29	WEY6506L1187	STATOR				1
30	WEY6506L2308	BRUSH ASSEMBLY				1
31	WEY6506Y3247	F/R SELECTOR HANDLE				1
32	WEY6506Y2007	SWITCH				1
33	EY6261B6027	SEMS SCREW	*C	K3-5		2
34	WEY6506L0887	THRUST PLATE				1
35	WEY6506K9217	M-TIGHT SCREW	*C	K4-22		4
36	EY6230K9218	TORX TAPPING SCREW	*C	K3-20	▲	8
37	EY6230L0207	DUST PREVENTIVE PLATE			▲	1
38	WEY6505X7928	PHILLIPS BIT		(+) 65mm		1
-	WEY6506K8108	OPERATING INSTRUCTIONS			▲	1

\*\*Battery Pack, and Tool Case are available as an optional accessory.

See the nearest sales dealer for details.

\*\*\*For replacement parts of charger, see the charger service manual.

Charger complete set is available as an optional accessory. See the nearest sales dealer for details.