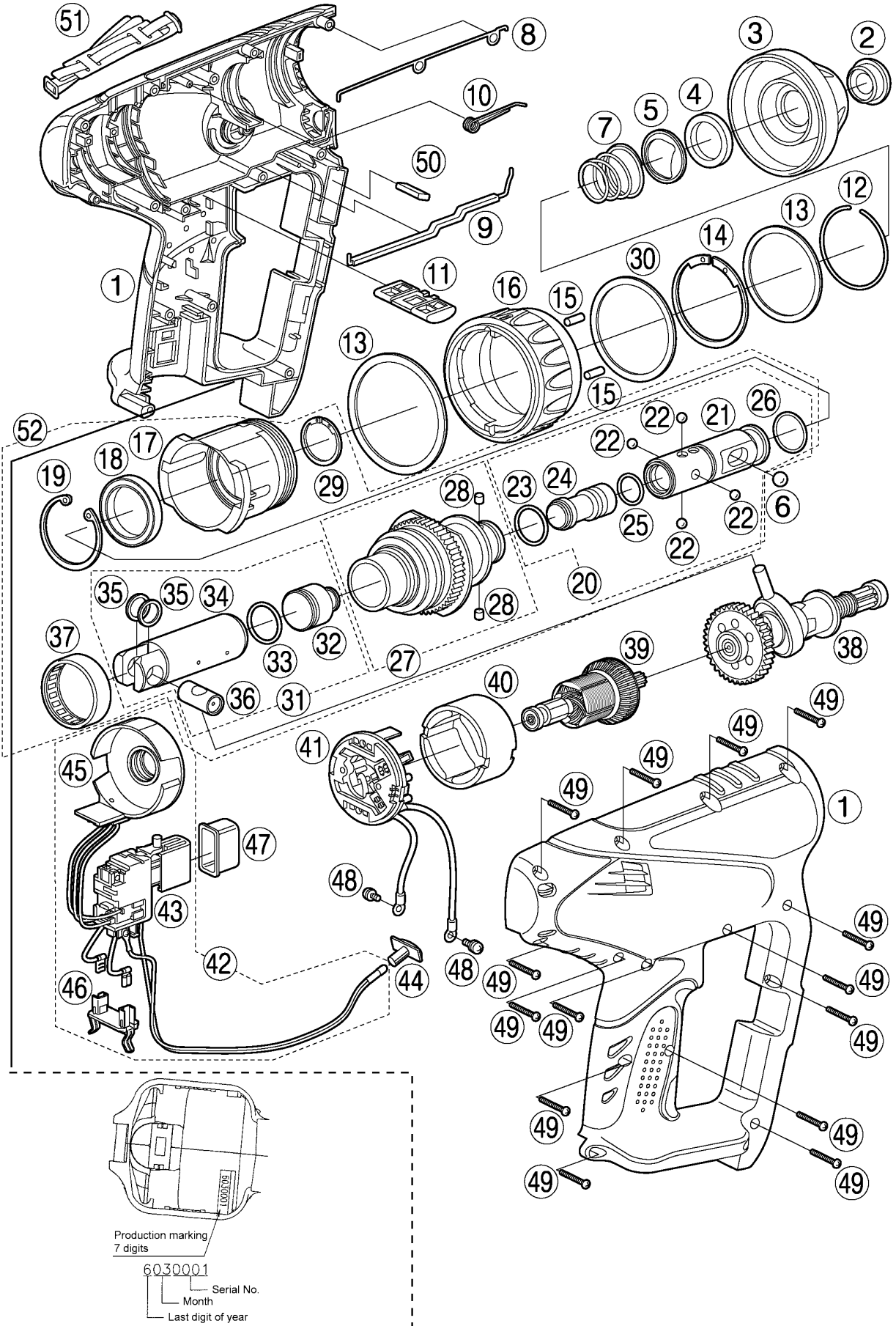


6 EXPLODED VIEW



7 REPLACEMENT PARTS LIST

NOTE:

*B=only available as set

*C=available individually

Ref.No.	Part No.	Part Name & Description	Remarks	Per Unit
1	WEY6803K3078	HOUSING AB SET		1
2	WEY6813H3117	CHUCK COVER		1
3	WEY6803K3127	CHUCK HANDLE		1
4	WEY6813L0427	BALL GUIDE		1
5	WEY6813L0437	CHUCK SPRING STRIKE PLATE		1
6	WEY6813L1917	STEEL BALL	∅ 7	1
7	WEY6813L0917	CHUCK SPRING		1
8	WEY6803L3997	SEAL A		1
9	WEY6803L3987	SEAL B		1
10	WEY6803L0927	PISTON APPLYING POWER SPRING		1
11	WEY6803Y3247	F/R HANDLE		1
12	WEY6803L1167	C-TYPE RING		1
13	WEY6803L3137	FELT		1
14	WEY6803L0467	SNAP RING		1
15	WEY6803L1707	LOCK PIN	*B (2PCS/PK)	2
16	WEY6803Y3227	CLUTCH HANDLE		1
17	WEY6803Y3297	CLUTCH CASE		1
18	WEY6813L4957	BEARING		1
19	WEY6803L0477	SNAP RING		1
20	WEY6803L4067	SPINDLE ASSEMBLY		1
21	WEY6803L0057	SPINDLE		1
22	WEY6813L1927	STEEL BALL	*B ∅ 5, (6PCS/PK)	4
23	WEY6813L0347	O RING		1
24	WEY6803L1237	STRIKER		1
25	WEY6813L0327	O RING		1
26	WEY6813L0317	O RING		1
27	WEY6803L4907	CLUTCH ASSEMBLY		1
28	WEY6813L0907	PIN	*B 5x4 (2PCS/PK)	2
29	WEY6813L0477	SNAP RING		1
30	WEY6803L0857	THRUST PLATE	*C	2
31	WEY6803L1247	PISTON ASSEMBLY		1
32	WEY6803L4627	HAMMER		1
33	WEY6803L0977	O RING		1
34	WEY6803L1987	PISTON		1
35	WEY6812L0847	THRUST PLATE	*B (2PCS/PK)	2
36	WEY6803L1257	UNIVERSAL COUPLING		1
37	WEY6803L0387	NEEDLE BEARING		1
38	WEY6803L4057	INTERMEDIATE SHAFT ASSEMBLY		1
39	WEY6803L1467	MOTOR ROTOR ASSEMBLY		1
40	WEY6803L1187	MOTOR STATOR ASSEMBLY		1
41	WEY6803L2307	MOTOR BRUSH ASSEMBLY		1
42	WEY6803L2007	SWITCH ASSEMBLY		1
43	WEY6803L2017	SWITCH		1
44	WEY6803L2337	LED COVER		1
45	WEY6803L0417	BASE PLATE BLOCK		1
46	WEY6803L2407	TERMINAL BLOCK		1
47	WEY6813L3137	TRIGGER COVER		1
48	WEY6261B6027	SEMS SCREW	*C K3-6	2
49	WEY6230K9218	TORX TAPPING SCREW	*C K3X20	14
50	WEY6803L0137	CUSHION RUBBER		1
51	WEY3561L3417	SHOULDER STRAP		1
52	WEY6803L4538	POWER SHAFT ASSEMBLY		1
-	WEY6811X5537	GREASE	ASG-22	1
-	WEY6812T7918	GREASE		1
-	WEY9629K7018	TOOL CASE		1
-	WEY6803K4968	JIG (PLATE & CAP)		1
-	WEY6803K8108	OPERATING INSTRUCTIONS		1

** Battery Pack and Bit Adaptor are available as an optional accessory. .

See the nearest sales dealer for details.

*** For replacement parts of charger, see the charger service manual.

Charger complete set is available as an optional accessory. See the nearest sales dealer for details.