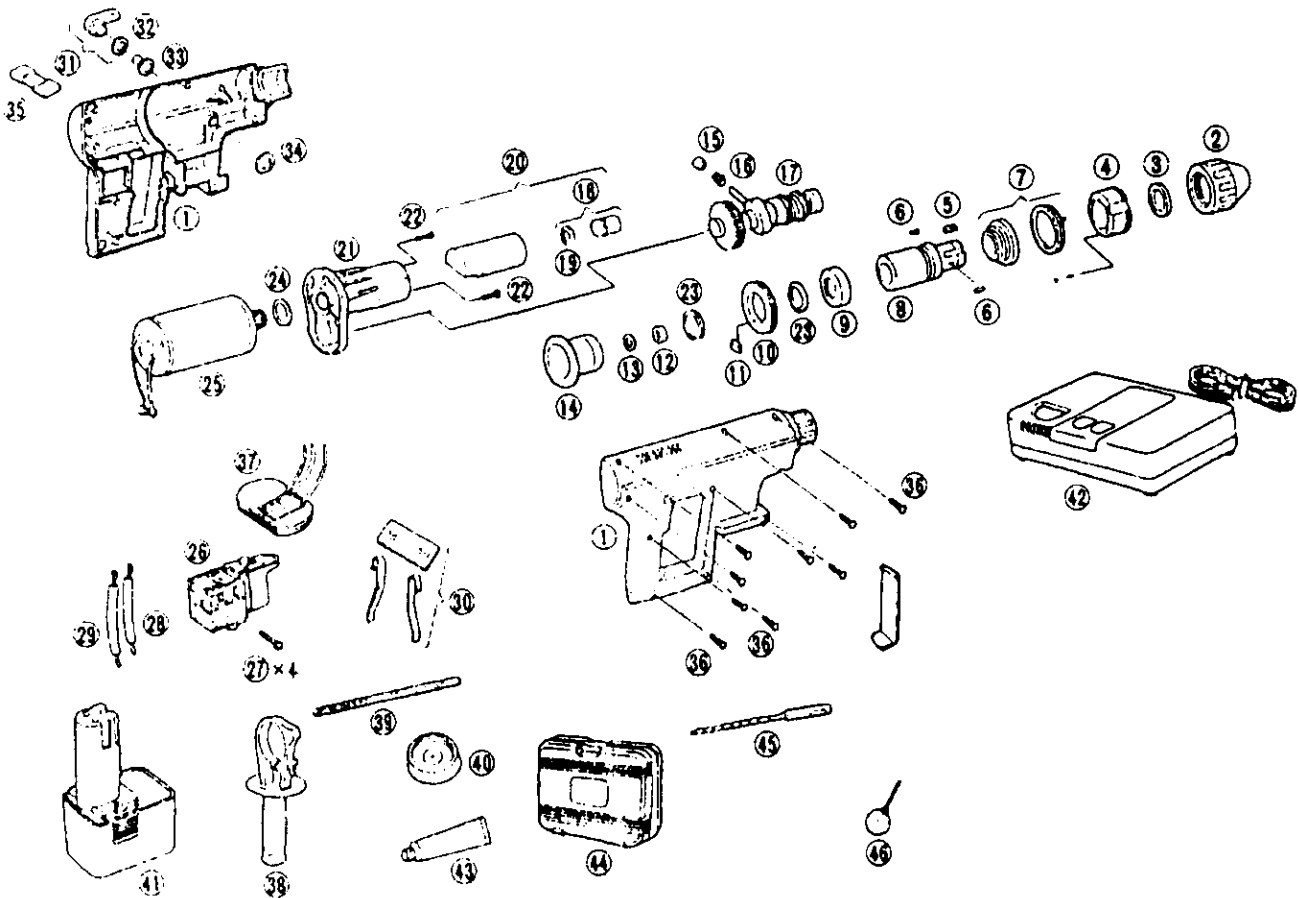


**⚠ WARNING**

This service information is designed for experienced repair technicians only and is not designed for use by the general public. It does not contain warnings or cautions to advise non-technical individuals of potential dangers in attempting to service a product. Products powered by electricity should be serviced or repaired only by experienced professional technicians. Any attempt to service or repair the product or products dealt with in this service information by anyone else could result in serious injury or death.

**EXPLODED VIEW**



## REPLACEMENT PARTS LIST

Ref No.	Parts No.	Parts Name & Descriptions	Per set	Remarks
Note :		*A ... available as an optional accessory		*C ... available individually
		*B ... only available as set		
1	EY6808K3079	HOUSING AB SET	1	
2	EY6802H3117	CHUCK COVER	1	
3	EY6800B0417	STOP RING	2	*C ICTW-20
4	EY6802K1377	CHUCK CAM	1	
5	EY6802K1387	CHUCK KEY	1	
6	EY531B0477	TRANSMISSION KEY	2	*C
7	EY6802K0687	CHUCK RING	1	
8	EY6800B1127	OUTPUT SHAFT BLOCK	1	
9	EY6800B4957	NEEDLE BEARING	1	
10	EY6800B1357	SPINDLE GEAR	1	
11	EY6800B1387	SPINDLE GEAR KEY	1	
12	EY6800B3537	STRIKER WASHER	1	
13	EY6800B0997	STRIKER CUSHION	1	
14	EY6800B0577	CLUTCH BUSH	1	
15	EY6800B1517	UNIVERSAL JOINT	1	
16	EY6800B0177	SPRING FOR UNIVERSAL JOINT	1	
17	EY6800B1137	INTERMEDIATE SHAFT	1	
18	EY6800B4627	HAMMER	1	
19	EY6800B0977	O-RING	1	
20	EY6800B1247	PISTON HAMMER BLOCK	1	
21	EY6800B4737	BASE PLATE	1	
22	EY6800B6057	SCREW FOR BASE PLATE	2	*C K4-16
23	EY6800B0437	STOP RING	2	*C ISTW-30
24	EY6800B0987	O-RING FOR MOTOR	1	
25	EY6808L1008	MOTOR	1	
26	EY6261Y2008	SWITCH	1	
27	EY6207Y6027	SCREW FOR SWITCH	4	
28	EY6802L2967	LEAD WIRE (+)	1	*C K3-5
29	EY6802L2977	LEAD WIRE (-)	1	WHITE
30	EY6802K0067	BATTERY CONTACTOR SET	1	BLUE
31	EY6800H3248	HAMMER/DRILL SELECTOR HANDLE	1	
32	EY6800B0967	O-RING FOR SELECTOR HANDLE	1	
33	EY6800B0837	SWITCHING COLLAR	1	
34	EY6800B0447	STOP RING	1	STW-13
35	EY574H3248	FORWARD/REVERSE SELECTOR HANDLE	1	
36	EY6800B9447	HOUSING SCREW	8	*C K4-20
37	EY6808L2108	FET CIRCUIT BOARD	1	
38	EY6810H3237	SUPPORTER	1	
39	EY6810B7728	DEPTH GAUGE	1	
40	EY6808K0178	DUST PROOF PLATE	1	
41	EY9101	BATTERY PACK	1	*A
42	EY0202	BATTERY CHARGER	1	*A
43	EY6800B7919	GREASE	1	
44	EY9509	TOOL CASE	1	
45	EY531B7927	BIT	1	φ6.5
46	EY531B7767	SQUIRT	1	
-	EY6808K8238	SAFETY INSTRUCTIONS	1	
-	EY6808K8110	OPERATING INSTRUCTIONS	1	