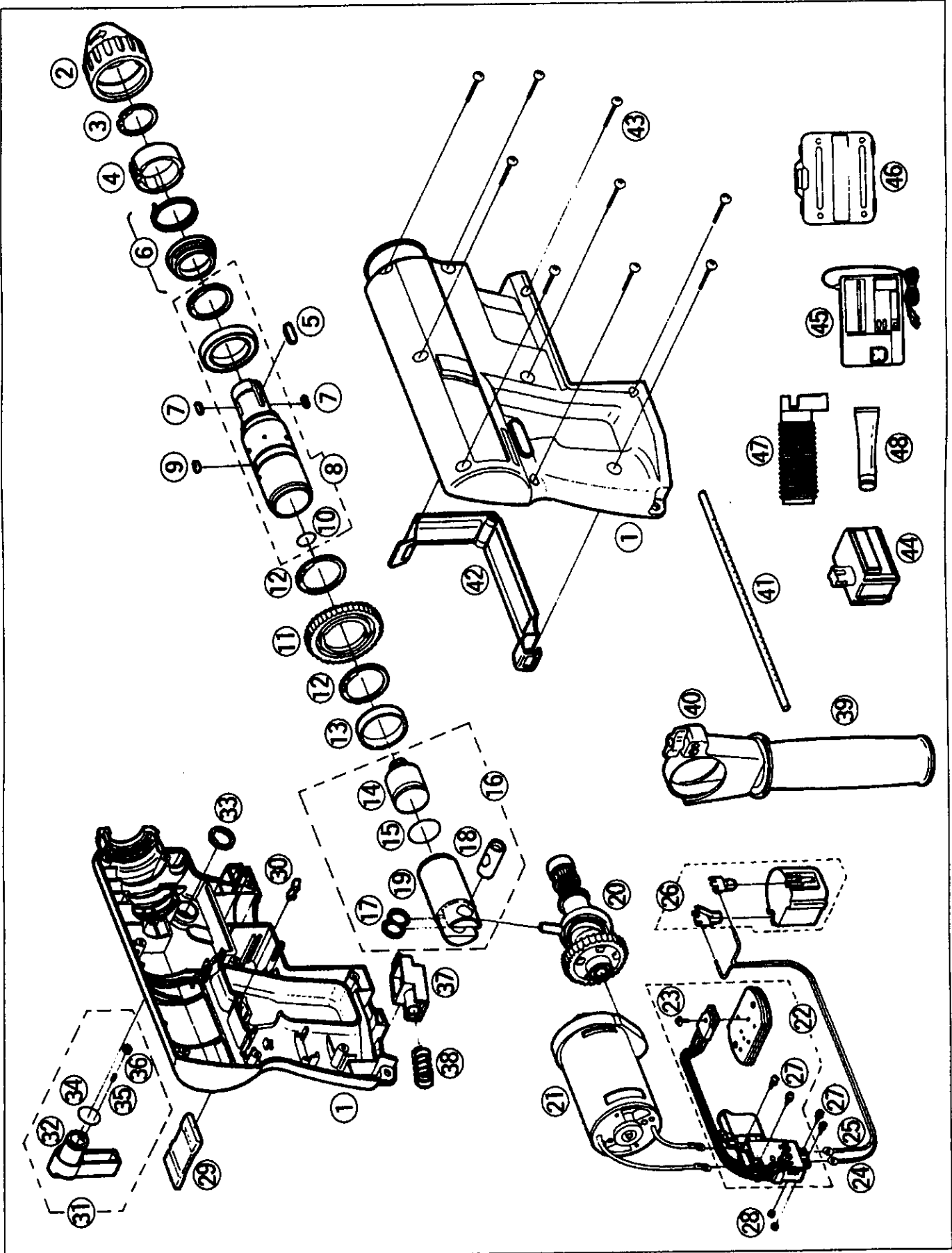


EXPLODED VIEW



REPLACEMENT PARTS LIST

NOTE : *A . . . available as an optional accessory
 *B . . . only available as set
 *C . . . available individually

Ref. No.	Part No.	Part Name & Descriptions	Per unit	Remarks
▲ 1	EY6812K3078	HOUSING AB SET	1	
2	EY6802H3117	CHUCK COVER	1	
▲ 3	EY6812L0417	SNAP RING	1	φ 20
4	EY6802K1377	CHUCK CAM	1	
5	EY6802K1387	CHUCK KEY	1	
6	EY6802K0687	CHUCK RING	1	
7	EY531B0477	TRANSMISSION KEY	2	*C
▲ 8	EY6812L1128	OUTPUT SHAFT	1	
▲ 9	EY6812L1387	SPINDLE GEAR KEY	1	
▲ 10	EY6812L0987	O-RING	1	P12.5
▲ 11	EY6812L1417	POWER GEAR	1	
▲ 12	EY6812X0417	SNAP RING	2	*B φ 30
▲ 13	EY6812L0387	BEARING	1	
▲ 14	EY6812L4627	HAMMER	1	
▲ 15	EY6812L0977	O-RING	1	
▲ 16	EY6812L1247	PISTON HAMMER BLOCK	1	
▲ 17	EY6812L0847	THRUST PLATE	2	*B
▲ 18	EY6812L1447	UNIVERSAL COUPLING	1	
▲ 19	EY6812L1987	PISTON	1	
▲ 20	EY6812L1137	INTERMEDIATE SHAFT	1	
▲ 21	EY6812L1007	MOTOR	1	
▲ 22	EY6812Y2008	SWITCH	1	
▲ 23	EY6812L6017	TAPPING SCREW	1	2.6*8
▲ 24	EY6812L2967	LEAD WIRE (WHITE)	1	
▲ 25	EY6812L2977	LEAD WIRE (BLACK)	1	
▲ 26	EY6811L3737	BATTERY HOLDER	1	
27	EY6230L6037	SEMS SCREW	4	*C M3*5
▲ 28	EY6812L6417	HEX NUT	2	*C M3
▲ 29	EY6812H3247	F/R SELECTOR HANDLE	1	
30	EY6481L0177	CLICK SPRING	1	
▲ 31	EY6812H3217	H/D SWITCHING LEVER	1	
▲ 32	EY6812H3227	H/D HANDLE	1	
▲ 33	EY6812X0427	SNAP RING	1	φ 13
▲ 34	EY6812L0968	O-RING	1	M13.6
▲ 35	EY6812L1347	CHANGE SHAFT	1	
▲ 36	EY6812L0837	CHANGE CURLER	1	
▲ 37	EY6812H3827	RELEASE LEVER	1	
▲ 38	EY6812L0177	SPRING A	1	
▲ 39	EY6811H3237	AUXILIARY HANDLE	1	
▲ 40	EY6811H6507	WING NUT	1	
▲ 41	EY531B7727	DEPTH GAUGE	1	
▲ 42	EY6811K3817	BATTERY FIXING SPRING	1	
43	EY3503K6208	TAPPING SCREW	9	*C K4-20
▲ 44	EY9117	BATTERY PACK	2	*A
▲ 45	EY0212	BATTERY CHARGER	1	*A
▲ 46	EY9513	TOOL CASE	1	*A
▲ 47	EY9730	DUST COLLECTING CUP	1	*A
▲ 48	EY6812T7918	GREASE	1	
▲ -	EY6812K8008	INDIVIDUAL BOX	1	
▲ -	EY6812K8108	OPERATING INSTRUCTIONS	1	