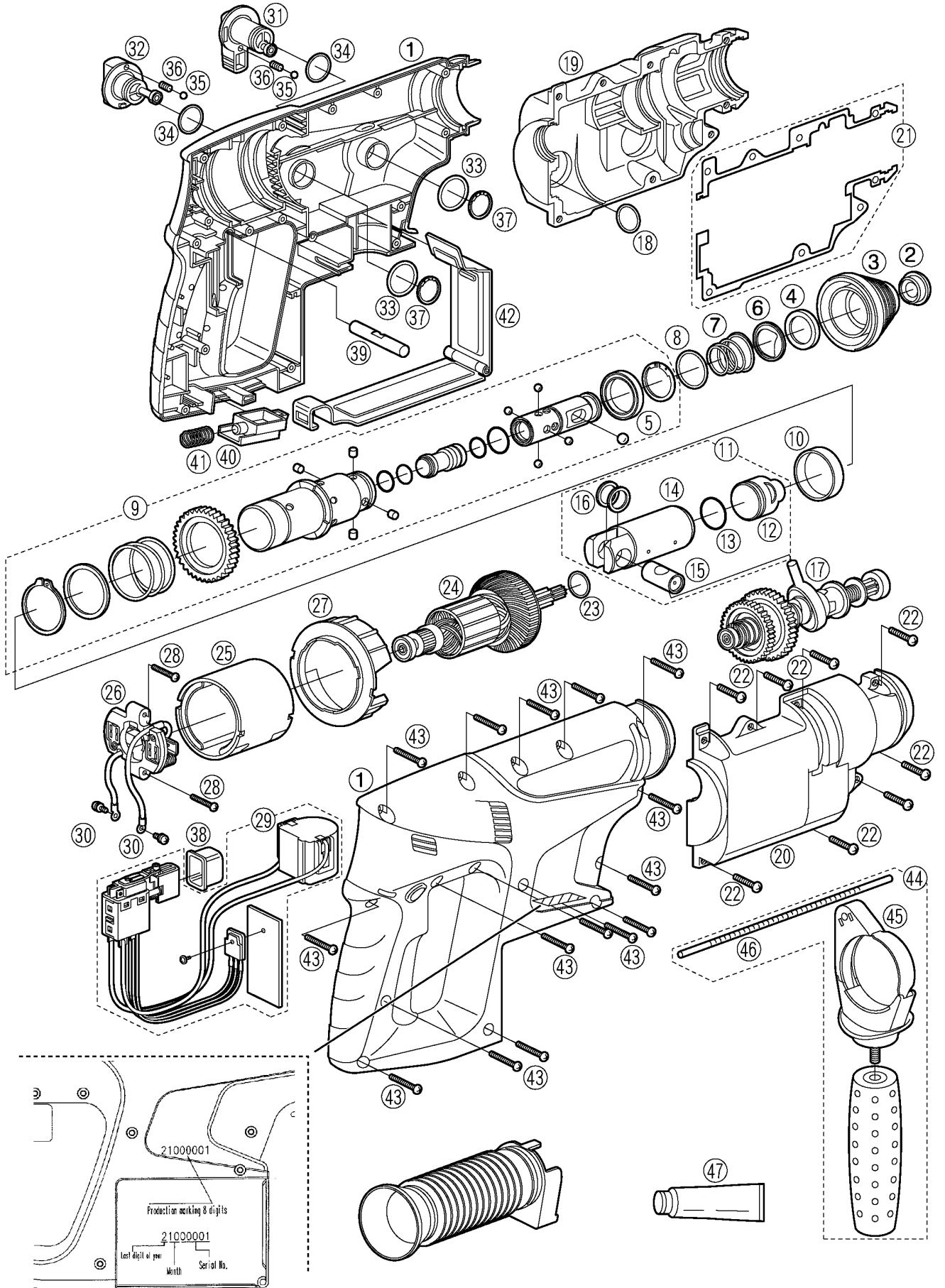


# 6 EXPLODED VIEW



# 7 REPLACEMENT PARTS LIST

## NOTE:

\*B=only available as set

\*C=available individually

Ref.No.	Part No.	Part Name & Description	Remarks	Per Unit
1	WEY6813K3078	HOUSING AB SET		1
2	WEY6813H3117	CHUCK COVER		1
3	WEY6813K3127	CHUCK HANDLE		1
4	WEY6813L0427	BALL GUIDE		1
5	WEY6813L1917	STEEL BALL	φ 7	1
6	WEY6813L0437	CHUCK SPRING STRIKE PLATE		1
7	WEY6813L0917	CHUCK SPRING		1
8	WEY6813L0367	O RING	φ 35	1
9	WEY6813L4058	SPINDLE ASSEMBLY		1
10	EY6812L0387	BEARING		1
11	WEY6813L4067	PISTON ASSEMBLY		1
12	EY6812L4627	HAMMER		1
13	EY6812L0977	O RING		1
14	WEY6813L1247	PISTON		1
15	WEY6813L1257	UNIVERSAL COUPLING		1
16	EY6812L0847	THRUST PLATE	*B (2PCS/PK)	2
17	WEY6813L4077	INTERMEDIATE SHAFT ASSEMBLY		1
18	WEY6813L0467	THRUST PLATE		1
19	WEY6813L0017	GEAR CASE A		1
20	WEY6813L0027	GEAR CASE B		1
21	WEY6813L0987	GASKET AB SET		1
22	WEY6813L9557	ALUMINUM TIGHT SCREW (M4X16)	*B (5PCS/PK)	8
23	WEY6813L0357	O RING		1
24	WEY6813L4627	MOTOR ROTOR ASSEMBLY		1
25	WEY6813L4987	MOTOR CASE ASSEMBLY		1
26	WEY6813L4637	MOTOR BRUSH ASSEMBLY		1
27	WEY6813L0447	CURRENT PLATE		1
28	EY574B9037	P TIGHT SCREW (K3X20)	*C	2
29	WEY6813L4157	SWITCH ASSEMBLY		1
30	EY6225L6027	SEMS SCREW (M3X5)	*C	2
31	WEY6813Y4607	H/D HANDLE		1
32	WEY6813Y4617	H/S HANDLE		1
33	WEY6813L0377	O RING	*C	2
34	WEY6813L0387	O RING	*C φ 15.5	2
35	WEY505B6967	STEEL BALL	*B (5PCS/PK)	2
36	WEY6813L1407	CLICK SPRING	*B (2PCS/PK)	2
37	WEY6813L0457	SNAP RING	*B (2PCS/PK)	2
38	WEY6813L3137	TRIGGER COVER		1
39	WEY6813L3147	F/R HANDLE		1
40	WEY6813D3157	RELEASE LEVER		1
41	EY6812L0177	SPRING A		1
42	EY6811K3817	BATTERY FIXING METAL ASSEMBLY		1
43	EY3503K6208	TAPPING SCREW (K4X20)	*C	15
44	WEY6813K4627	AUXILIARY HANDLE		1
45	WEY6813K4637	SUPPORT HANDLE		1
46	WEY6813H7727	DEPTH GAUGE		1
47	EY6812T7918	BIT GREASE		▲ 1
-	WEY6813X5517	THIXO GREASE		1
-	WEY6813K8108	OPERATING INSTRUCTIONS		▲ 1

\*\* Battery Pack, Dust Collecting Cup and Tool Case are available as an optional accessory.

See the nearest sales dealer for details.

\*\*\* For replacement parts of charger, see the charger service manual.

Charger complete set is available as an optional accessory. See the nearest sales dealer for details.