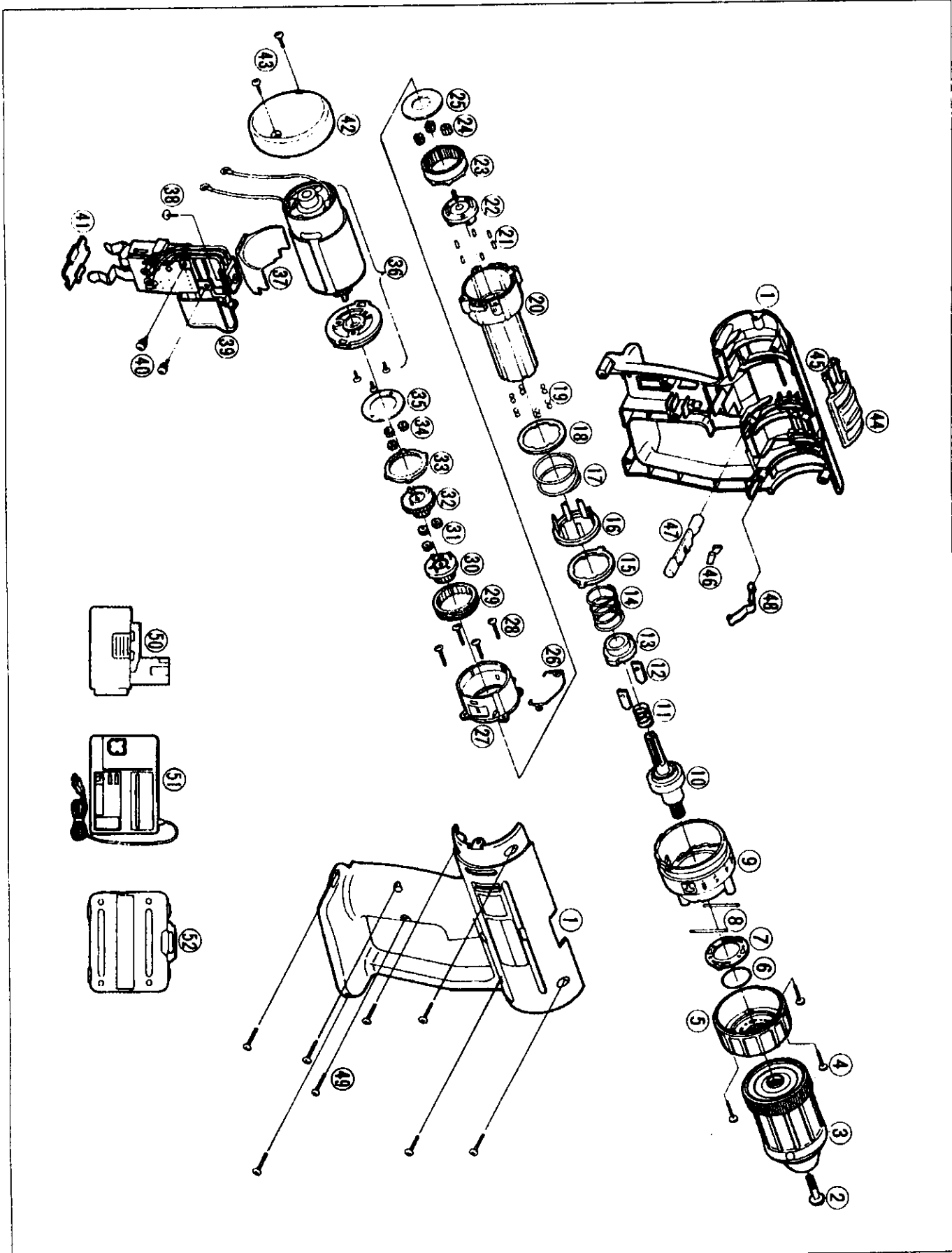


EXPLODED VIEW



REPLACEMENT PARTS LIST

NOTE : *A . . . available as an optional accessory

*B . . . only available as set

*C . . . available individually

Ref. No.	Part No.	Part Name & Descriptions	Per unit	Remarks
▲ 1	EY6930K3078	HOUSING AB SET	1	
2	EY6230L6817	CHUCK FASTENING SCREW	1	
3	EY6930K7917	KEYLESS DRILL CHUCK	1	
4	EY6930K9157	SCREW	3	*C
5	EY6901H3227	CLUTCH HANDLE A	1	
6	EY509B0977	O-RING	1	
7	EY6901L0567	CHANGE RING	1	
8	EY6901L0357	PIN	2	*B (2PCS/PACK)
9	EY6930H3258	CLUTCH HANDLE B	1	
10	EY6901L1137	DRIVING SHAFT	1	
11	EY6900B0177	SPRING	1	
12	EY6901L0907	CHANGE PLATE	2	*B (2PCS/PACK)
13	EY6901L1387	CAM A	1	
14	EY6901L0197	SPRING	1	
15	EY6901L0457	CLICK PLATE	1	
16	EY6901L0637	ADJUST RING	1	
17	EY6901L0167	CLUTCH SPRING	1	
18	EY6901L0577	CLUTCH PLATE	1	
19	EY560B6967	STEEL BALL	12	*B (12PCS/PACK)
20	EY6901L1797	CLUTCH CASE	1	
21	EY6705L0377	ROLLER PIN	6	*B (6PCS/PACK)
22	EY6901L1107	CARRIER	1	
23	EY6901L1477	RING GEAR	1	
24	EY6900B1347	PLANET GEAR SET	3	*B (3PCS/PACK)
25	EY6200B0857	THRUST PLATE	1	
26	EY6207B1517	CHANGE-GEAR SPRING	1	
27	EY6700B1768	GEAR CASE	1	
28	EY6930L9577	SCREW	4	*C
29	EY560B1467	RING GEAR B	1	
30	EY6401L1357	CARRIER	1	
31	EY6200B1357	PLANET GEAR	3	*B (3PCS/PACK)
32	EY6900B1127	CARRIER B	1	
33	EY6930B1457	RING GEAR A	1	
34	EY560B1367	PLANET GEAR B	3	*B (3PCS/PACK)
35	EY6901L0887	THRUST PLATE	1	
36	EY6930L1008	MOTOR	1	
37	EY6901L2567	RADIATING PLATE	1	
38	EY6230L6017	SEMS SCREW	1	
▲ 39	EY6230Y2008	SWITCH BLOCK	1	
40	EY6230L6037	SEMS SCREW	2	*C
41	EY6230L0207	DUST PREVENTIVE PLATE	1	
42	EY6230H3107	HOUSING COVER	1	
43	EY6230K9038	SCREW	2	*C
44	EY6901H3237	CHANGE-GEAR HANDLE	1	
45	EY560B0187	SPRING	1	
▲ 46	EY6481L0177	CLICK SPRING	1	
47	EY6901H3247	FORWARD/REVERSE SELECTOR HANDLE	1	
48	EY6930L0177	CLICK SPRING A	1	
▲ 49	EY6230K9218	SCREW	9	*C
50	EY9136	BATTERY PACK	1	*A ACCESSORY
51	EY0212	BATTERY CHARGER	1	*A ACCESSORY
52	EY9630	TOOL CASE	1	
▲ -	EY6930K8008	INDIVIDUAL BOX	1	
▲ -	EY6930K8108	OPERATING INSTRUCTIONS	1	