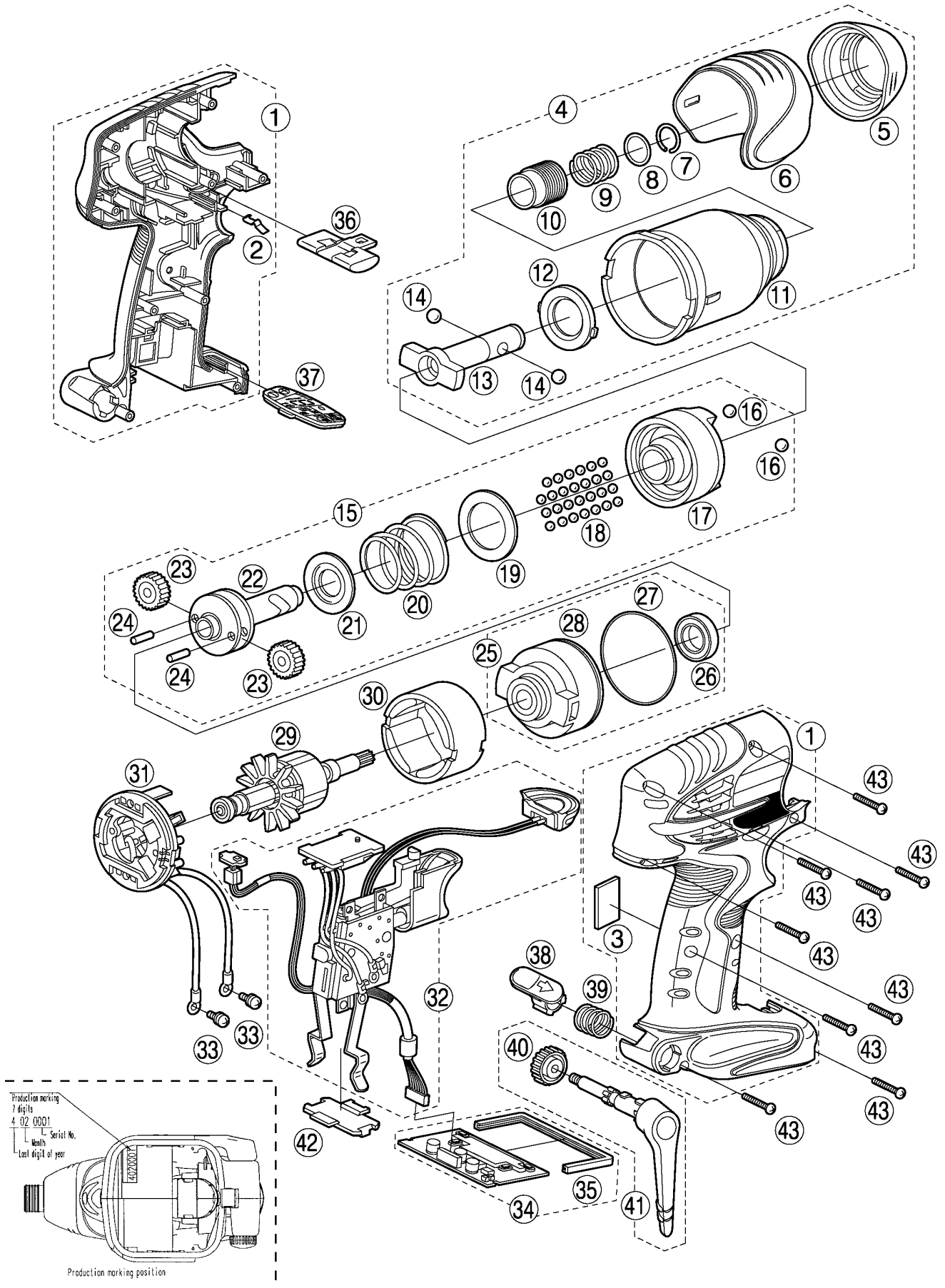


# 5 EXPLODED VIEW



# 6 REPLACEMENT PARTS LIST

## NOTE:

\*B=only available as set

\*C=available individually

Ref.No.	Part No.	Part Name & Description		Remarks	Per Unit
1	WEY7202K3078	HOUSING AB SET			1
2	EY6481L0177	CLICK SPRING	*C		2
3	WEY7201L0327	CUSHION		4*10*2	1
4	WEY7201H4058	FIXATION COVER ASSEMBLY			1
5	WEY7201K3107	NOSE PROTECTOR			1
6	WEY7201H3207	PROTECTOR			1
7	WEY6507K1167	C-TYPE RING			1
8	WEY6507L0857	THRUST PLATE			1
9	WEY6507L0197	BIT HOLDER SPRING		41	1
10	WEY6507K3717	BIT HOLDER			1
11	WEY7201S3307	FIXATION COVER			1
12	WEY6505L0867	SLIDER			1
13	WEY7201L1128	ANVIL			1
14	WEY6507L6977	STEEL BALL	*B	(2PCS/PK) $\phi$ 5/32	2
15	WEY7201L1067	DRIVING SHAFT ASSEMBLY			1
16	WEY7201L6967	STEEL BALL	*B	(2PCS/PK) $\phi$ 7/32	2
17	WEY7201L1377	HAMMER			1
18	WEY7300L6957	STEEL BALL	*B	(27PCS/PK)	27
19	WEY6505L0897	THRUST PLATE			1
20	WEY7201L0157	HAMMER SPRING			1
21	WEY6508L1147	SPRING FIXING PLATE			1
22	WEY7201L1137	DRIVING SHAFT			1
23	WEY6506L1357	PLANET GEAR	*B	(2PCS/PK)	2
24	WEY6506L1347	PIN	*B	(2PCS/PK)	2
25	WEY7201L0027	MOTOR MOUNTING PLATE ASSEMBLY			1
26	WEY7201L4957	BEARING			1
27	WEY7201L0987	O-RING		$\phi$ 41	1
28	WEY7201L3747	MOTOR MOUNTING PLATE			1
29	WEY7201L1467	MOTOR ROTOR ASSEMBLY			1
30	WEY7201L1187	STATOR			1
31	WEY7201L2307	BRUSH ASSEMBLY			1
32	WEY7202Y2008	SWITCH			1
33	EY6261B6027	SEMS SCREW	*C	K3-6	2
34	WEY7202L2067	MODULE			1
35	WEY7200L0337	RUBBER			1
36	WEY7201Y3247	F/R SELECTOR HANDLE			1
37	WEY7202Y3258	OPERATION PANEL			1
38	WEY7201Y3267	BELT HOOK LOCK LEVER			1
39	WEY7201L0167	SPRING			1
40	WEY6470K3187	BELT HOOK BOLT			1
41	WEY7201Y3317	BELT HOOK			1
42	EY6230L0207	DUST PREVENTIVE PLATE			▲ 1
43	EY6230K9218	TORX TAPPING SCREW	*C	K3*20	▲ 9
-	WEY9598K7018	TOOL CASE			▲ 1
-	WEY7202K8108	OPERATING INSTRUCTIONS			▲ 1

\*\*Battery Pack is available as an optional accessory. See the nearest sales dealer for details.

\*\*\*For replacement parts of charger, see the charger service manual.

Charger complete set is available as an optional accessory. See the nearest sales dealer for details.