



**BOSCH**

# High Pressure Cleaner

Easy Aquatak 1700 | 3 600 HA7 910

---

## Table of Content

Spare parts list.....	2
Illustration - Type.....	3

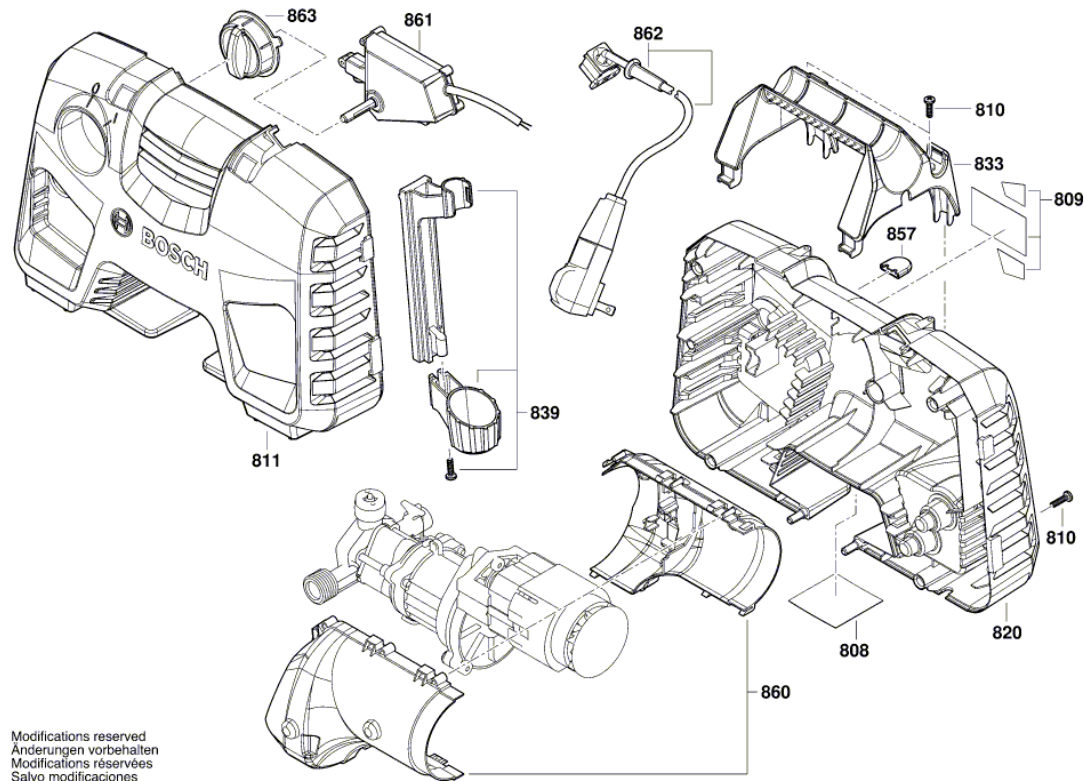
# High Pressure Cleaner | Easy Aquatak 1700 | 3 600 HA7 910

## Spare parts list

Item	Part Number	Description	Illustration
808	F 016 F04 965	Nameplate	1
809	F 016 F04 964	Warning Label	1
810	F 016 F04 810	Torx SH cap screw	1
811	F 016 F04 963	front cover	1
820	F 016 F04 996	Cover	1
833	F 016 F04 793	Carrying Handle	1
839	F 016 F04 807	Holder	1
857	F 016 F04 681	Clip	1
860	F 016 F04 997	Motor cover	1
861	F 016 F04 966	Switch Box	1
862	F 016 F05 286	Power supply cord	1
863	F 016 F04 969	Switch Actuator	1
801	F 016 F04 968	Motor	2
843	F 016 F05 402	O-Ring	2
850	F 016 F04 459	O-Ring	2
851	F 016 F05 430	Pump head	2
852	F 016 F04 799	Piston Guide	2
853	F 016 F04 798	Pump unit	2
854	F 016 F04 803	Thrust Bearing	2
855	F 016 F04 802	Gear Box	2
856	F 016 F04 809	Non-Return Valve	2
888	F 016 F05 661	Water filter	2
870	F 016 F04 458	Seal Kit (7.x1.6) 2 x (5.3 x 1.6), 2 x (8x2), 2 x	3
871	F 016 F04 796	Trigger	3
872	F 016 F05 135	Lance	3
873	F 016 F05 054	Fixed fan jet nozzle 20° YELLOW	3
875	F 016 F05 362	Nozzle WHITE	3
879	F 016 F05 036	Bottle 450ml	3
880	F 016 F05 555	Nozzle	3
881	F 016 F04 795	Retaining clip	3
882	F 016 F05 052	Water filter	3
883	F 016 F05 013	High-Pressure Hose 5 m	3
884	F 016 F05 429	Hose Coupling	3

Illustration - Type - E

3 600 HA7 910  
Stand | 18-61  
Issue | 19-07-22 **Fig. /Abb. 1**



Modifications reserved  
Änderungen vorbehalten  
Modifications réservées  
Salvo modificaciones

Illustration - Type - E

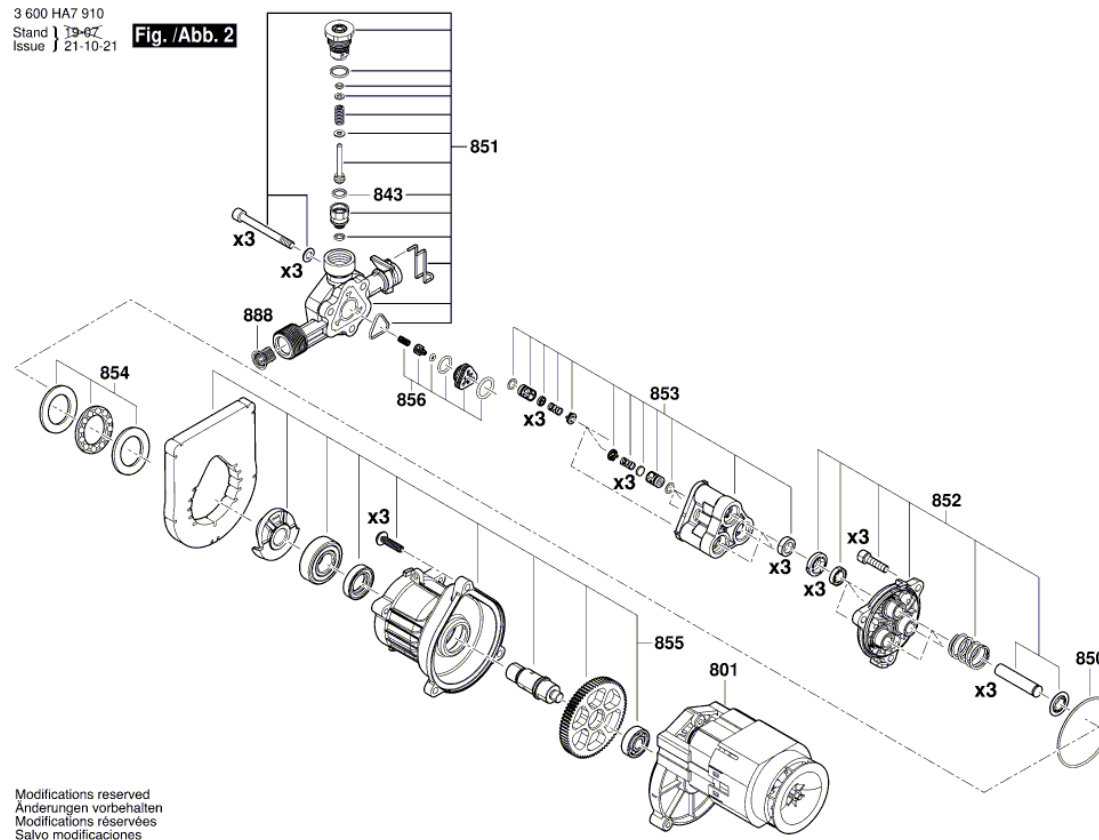
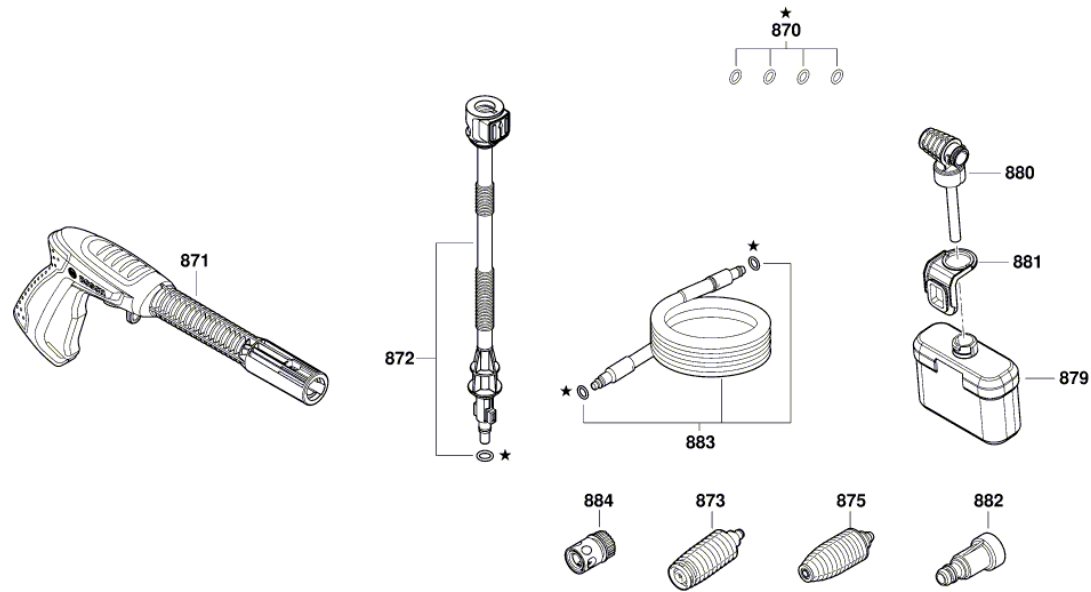


Illustration - Type - E

3 600 HA7 910  
Stand | 19-07  
Issue | 23-07-03 **Fig. /Abb. 3**



Modifications reserved  
Änderungen vorbehalten  
Modifications réservées  
Salvo modificaciones