



**BOSCH**

# High Pressure Cleaner

EasyAquatak 1700 | 3 600 HA7 911

---

## Table of Content

|                          |   |
|--------------------------|---|
| Spare parts list.....    | 2 |
| Illustration - Type..... | 3 |

# High Pressure Cleaner | EasyAquatank 1700 | 3 600 HA7 911

## Spare parts list

| Item | Part Number   | Description                                       | Illustration |
|------|---------------|---|--------------|
| 808  | F 016 F05 398 | Nameplate   | 1            |
| 809  | F 016 F04 964 | Warning Label                                     | 1            |
| 810  | F 016 F04 810 | Torx SH cap screw                                 | 1            |
| 811  | F 016 F05 399 | front cover                                       | 1            |
| 820  | F 016 F04 996 | Cover   | 1            |
| 833  | F 016 F04 793 | Carrying Handle                                   | 1            |
| 839  | F 016 F04 807 | Holder  | 1            |
| 857  | F 016 F04 681 | Clip  | 1            |
| 860  | F 016 F04 997 | Motor cover                                       | 1            |
| 861  | F 016 F04 966 | Switch Box  | 1            |
| 862  | F 016 F05 286 | Power supply cord                                 | 1            |
| 863  | F 016 F04 969 | Switch Actuator                                   | 1            |
| 801  | F 016 F04 968 | Motor   | 2            |
| 843  | F 016 F05 402 | O-Ring  | 2            |
| 850  | F 016 F04 459 | O-Ring  | 2            |
| 851  | F 016 F05 430 | Pump head   | 2            |
| 852  | F 016 F04 799 | Piston Guide                                      | 2            |
| 853  | F 016 F04 798 | Pump unit   | 2            |
| 854  | F 016 F04 803 | Thrust Bearing                                    | 2            |
| 855  | F 016 F04 802 | Gear Box  | 2            |
| 856  | F 016 F04 809 | Non-Return Valve                                  | 2            |
| 888  | F 016 F05 661 | Water filter                                      | 2            |
| 870  | F 016 F04 458 | Seal Kit 2 x (5.3 x 1.6), 2 x (8x2), 2 x (7.x1.6) | 3            |
| 871  | F 016 F04 796 | Trigger   | 3            |
| 872  | F 016 F05 135 | Lance   | 3            |
| 874  | F 016 F05 579 | Wide Angle Nozzle RED                             | 3            |
| 875  | F 016 F05 362 | Nozzle WHITE                                      | 3            |
| 879  | F 016 F05 036 | Bottle 450ml                                      | 3            |
| 880  | F 016 F05 029 | High pressure foam nozzle GREEN                   | 3            |
| 881  | F 016 F04 795 | Retaining clip                                    | 3            |
| 882  | F 016 F05 136 | Water filter                                      | 3            |
| 883  | F 016 F05 013 | High-Pressure Hose 5 m                            | 3            |
| 884  | F 016 F05 429 | Hose Coupling                                     | 3            |

Illustration - Type - E

3 600 HA7 911  
Stand | 18-11  
Issue | 19-07-22 **Fig. /Abb. 1**

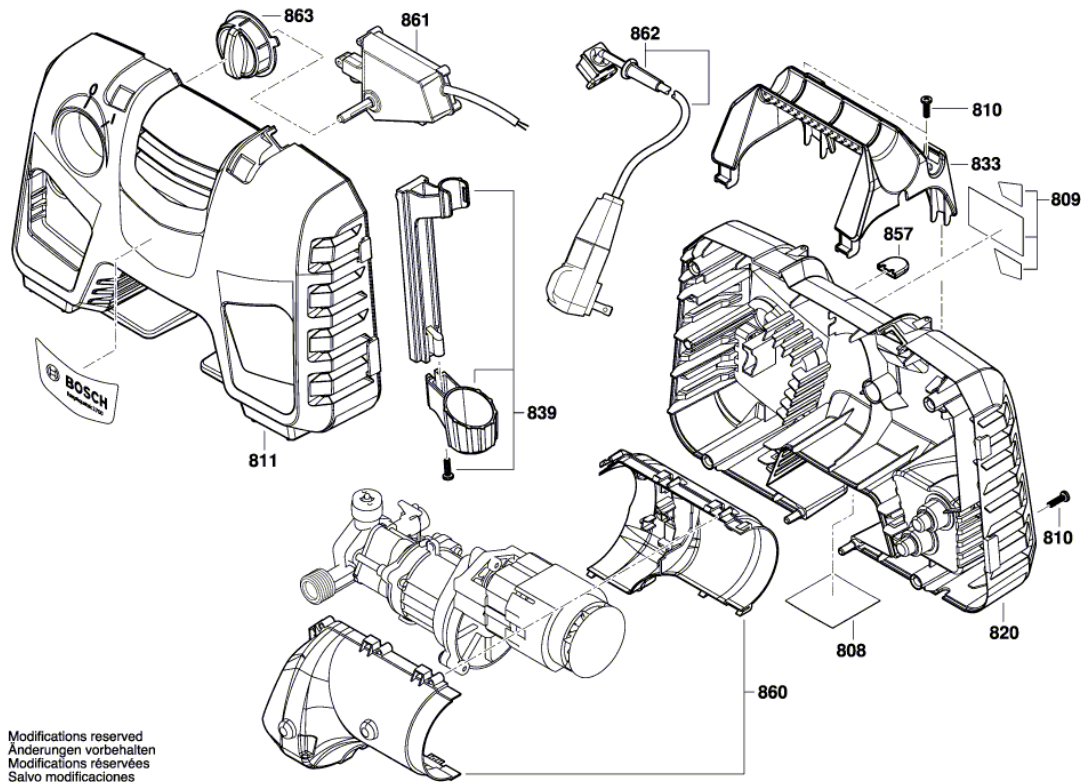


Illustration - Type - E

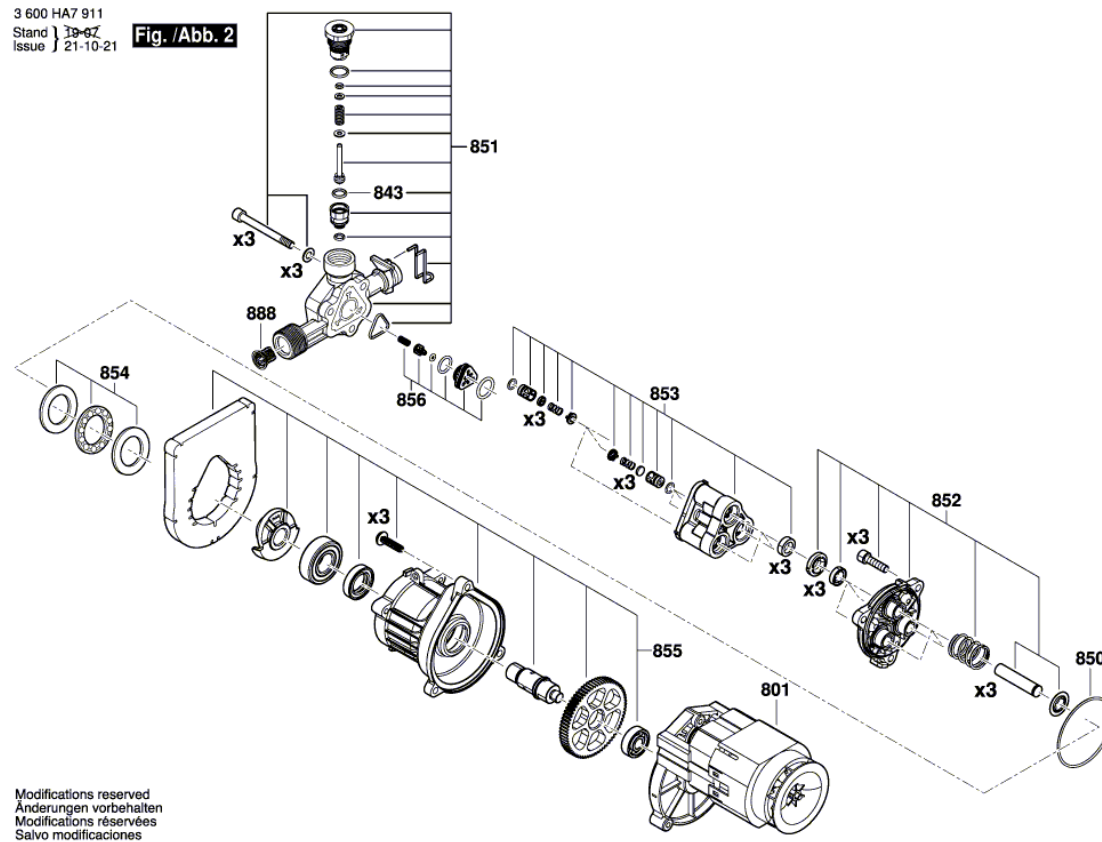
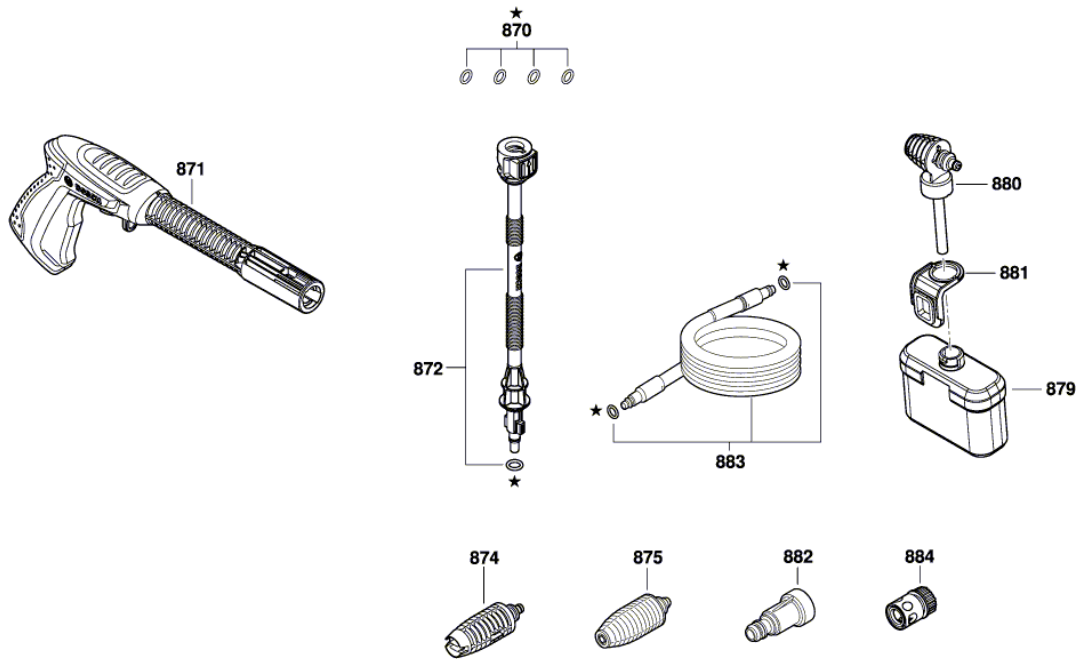


Illustration - Type - E

3 600 HA7 911  
Stand } 19-07-18  
Issue } 19-07-20 **Fig. /Abb. 3**



Modifications reserved  
Änderungen vorbehalten  
Modifications réservées  
Salvo modificaciones