



BOSCH

High Pressure Cleaner

EasyAquatak 110 | 3 600 HA7 F80

Table of Content

Spare parts list.....	2
Illustration - Type.....	3

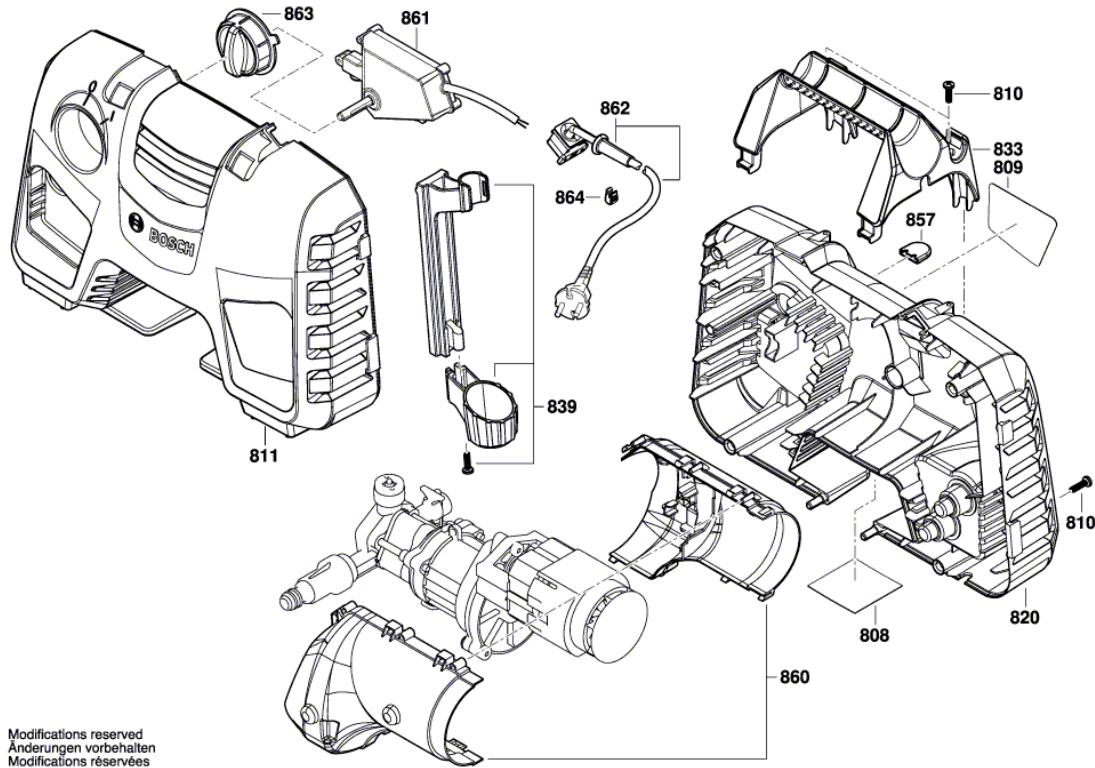
High Pressure Cleaner | EasyAquatank 110 | 3 600 HA7 F80

Spare parts list

Item	Part Number	Description	
808	F 016 F05 491	Nameplate	
809	F 016 F04 811	Warning Label	
810	F 016 F04 810	Torx SH cap screw	
811	F 016 F05 133	front cover	
820	F 016 F04 792	Cover	
833	F 016 F04 793	Carrying Handle	
839	F 016 F04 807	Holder	
857	F 016 F04 681	Clip	
860	F 016 F04 806	Motor cover	
861	F 016 F04 797	Switch Box	
862	F 016 F05 134	Power supply cord	
863	F 016 F04 805	Switch Actuator	
864	F 016 F05 432	Clip	
801	F 016 F04 804	Motor	
843	F 016 F05 402	O-Ring	
850	F 016 F04 459	O-Ring	
851	F 016 F04 801	Pump head	
852	F 016 F05 171	Piston Guide	
853	F 016 F04 798	Pump unit	
854	F 016 F04 803	Thrust Bearing	
855	F 016 F05 352	Gear Box	
856	F 016 F04 809	Non-Return Valve	
888	F 016 F05 661	Water filter	
870	F 016 F04 458	Seal Kit (7.x1.6)	2 x (5.3 x 1.6), 2 x (8x2), 2 x
871	F 016 F04 796	Trigger	
872	F 016 F05 135	Lance	
874	F 016 F05 401	Wide Angle Nozzle	WHITE
875	F 016 F05 362	Nozzle	WHITE
879	F 016 F05 036	Bottle	450ml
880	F 016 F05 029	High pressure foam nozzle	GREEN
881	F 016 F04 795	Retaining clip	
882	F 016 F05 136	Water filter	
883	F 016 F04 583	High-Pressure Hose	3 m
884	F 016 F05 492	Hose Coupling	

Illustration - Type - E

3 600 HA7 F41
Stand | 18-12
Issue | 19-07-22 **Fig. /Abb. 1**

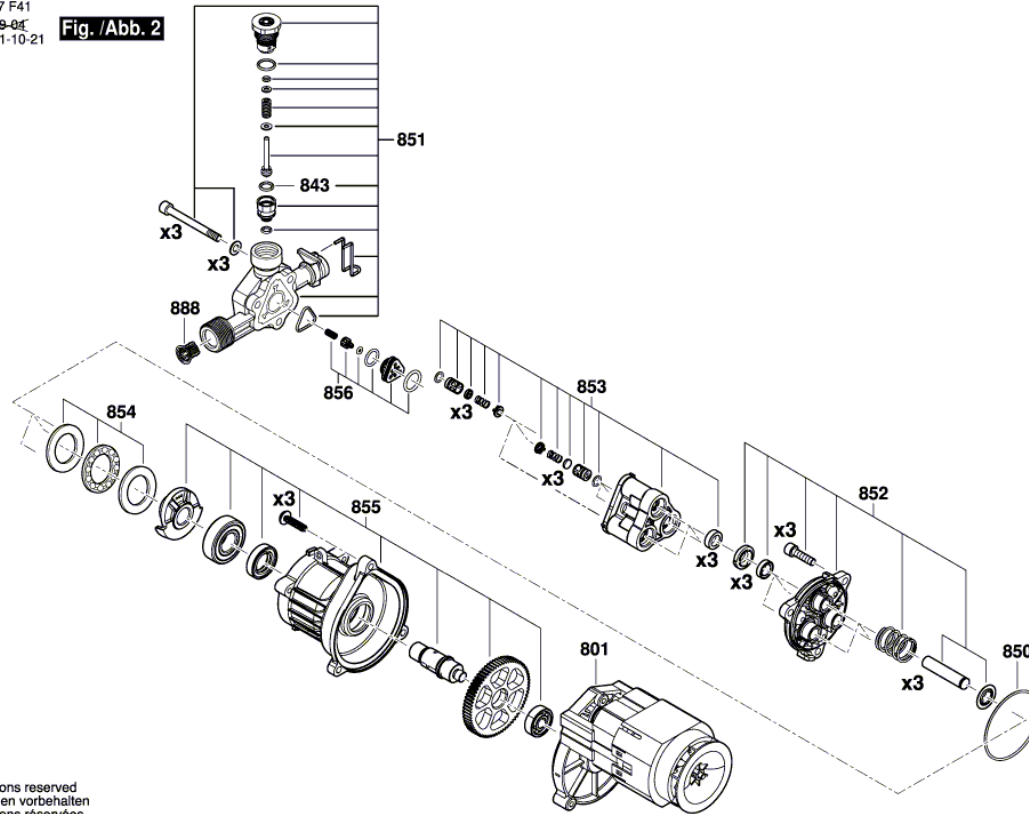


Modifications reserved
Änderungen vorbehalten
Modifications réservées
Salvo modificaciones

Illustration - Type - E

3 600 HA7 F41
Stand | 19-01
Issue | 21-10-21

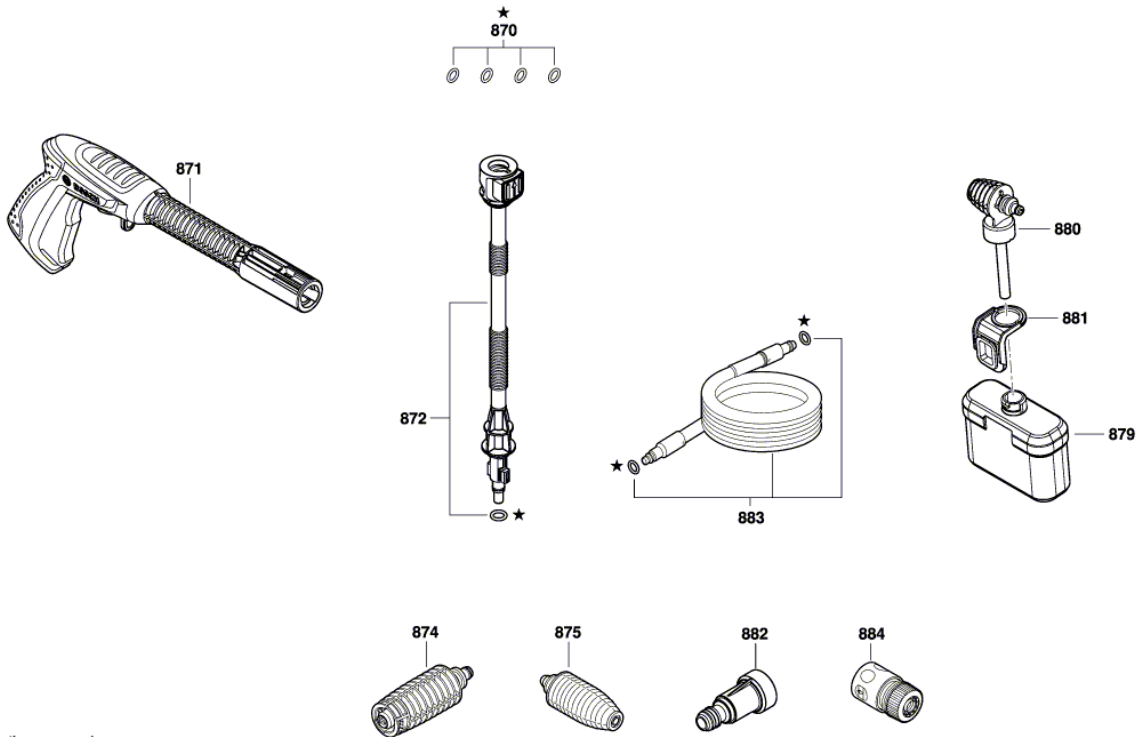
Fig. /Abb. 2



Modifications reserved
Änderungen vorbehalten
Modifications réservées
Salvo modificaciones

Illustration - Type - E

3 600 HA7 F41
 Stand } 19-07
 Issue } 19-08-08 **Fig. /Abb. 3**



Modifications reserved
 Änderungen vorbehalten
 Modifications réservées
 Salvo modificaciones