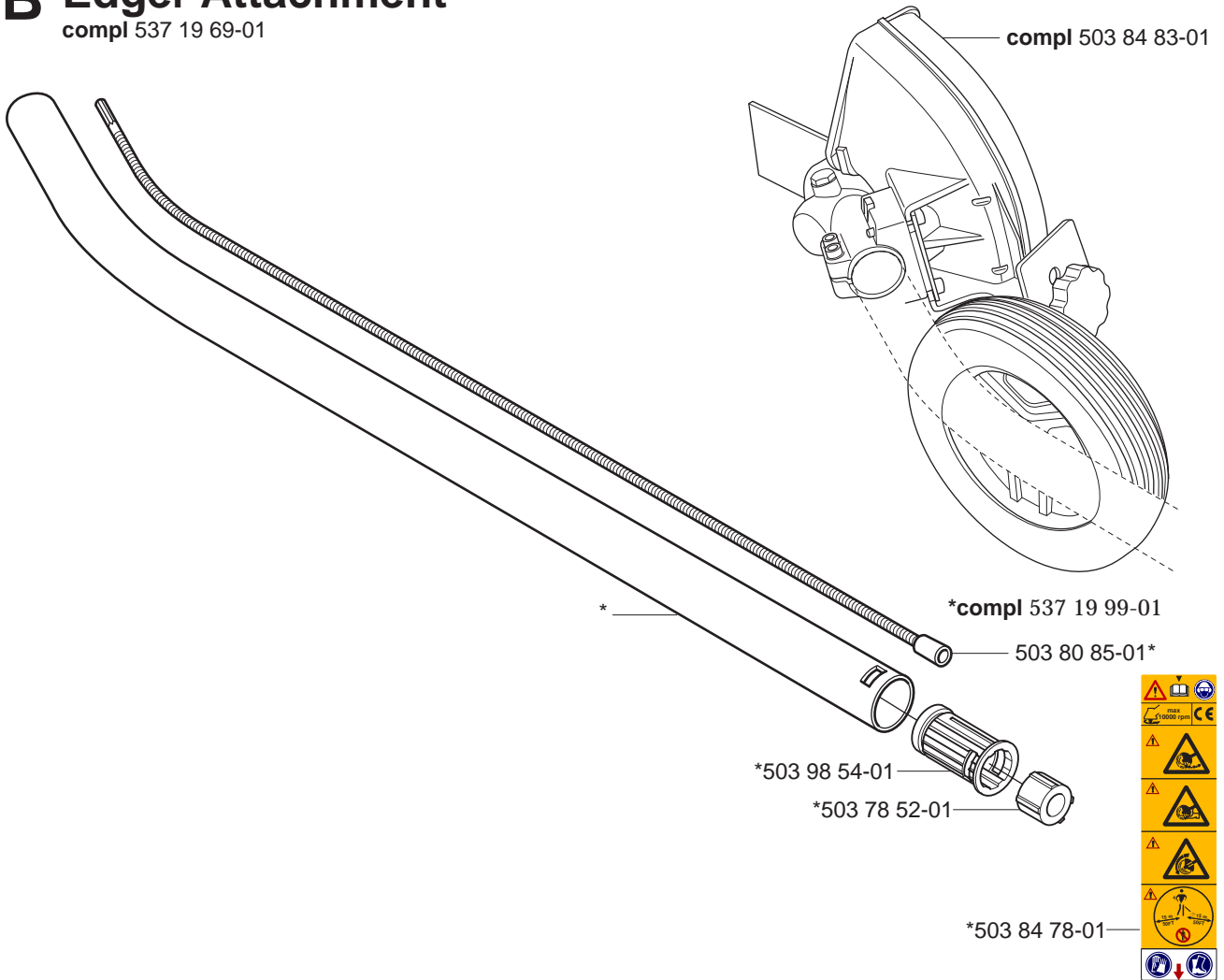


# B Edger Attachment

compl 537 19 69-01



# B Edger Attachement

