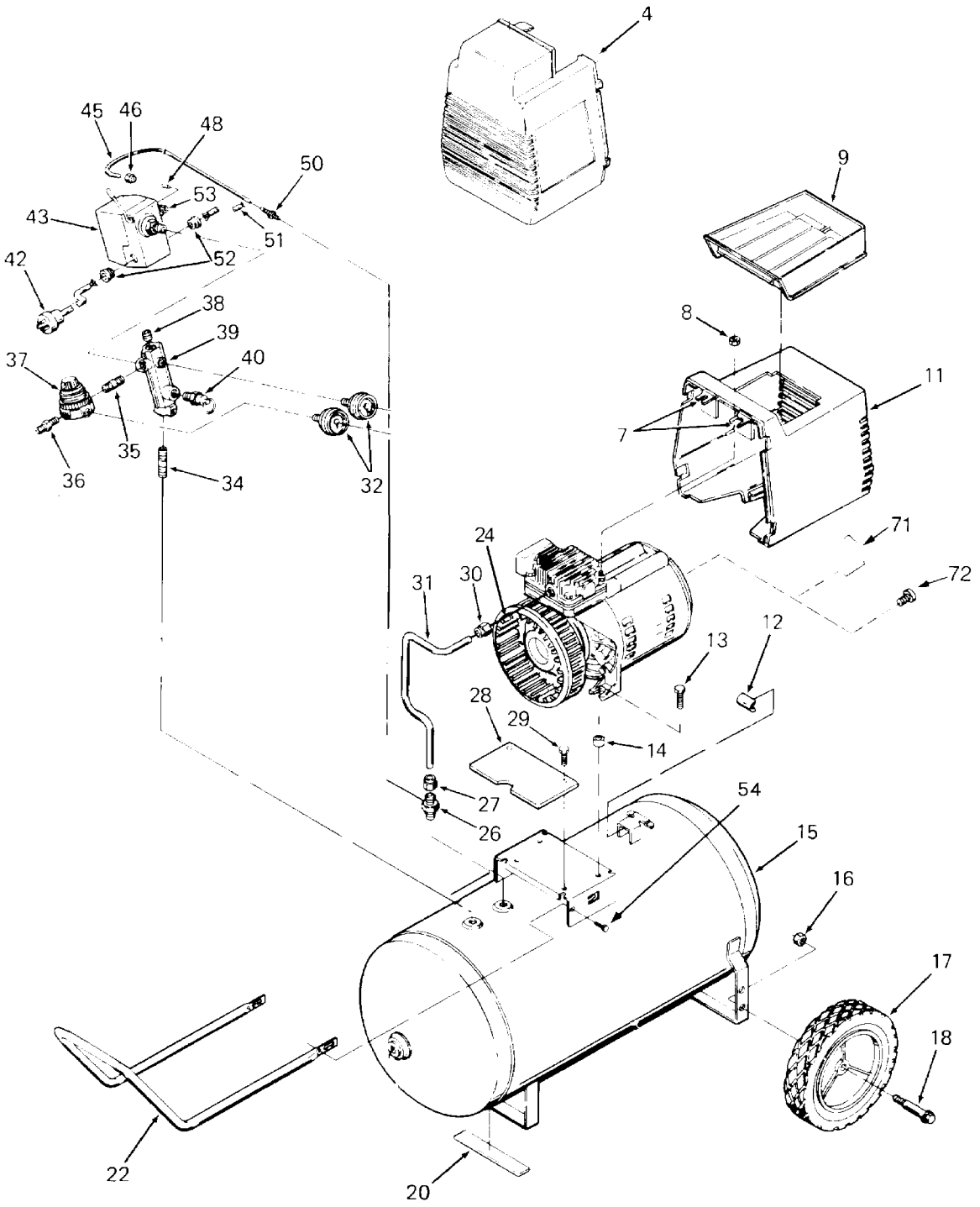


KEY NO.	TORQUE
59	7 to 10 Ft. Lbs.
57	7 to 10 Ft. Lbs.
67	100 to 120 In. Lbs.
69	80 to 100 In. Lbs.
◆	42 to 48 In. Lbs.



Parts List for F312 Type 2

Item Number	Part Number	Description	Qty Required
4	AC-0078	SHROUD FRONT BLK	1
7	CAC-1121	BRACKET SHROUD	2
8	038738-00	NUT	2
9	CAC-1080	TRAY TOOL	1
10	000000-00	No Longer Available	1
11	000000-00	No Longer Available	1
12	SSF-505	SCREW .250-28X.915 U	2
13	000000-00	No Longer Available	2
16	SSF-8080-ZN	NUT .375-16 UNC-2B H	2
17	000000-00	No Longer Available	2
18	CAC-60	BOLT .375-16X2.25 UN	2
20	SUDL-6-1	STRIP RUBBER FOOT	1
22	000000-00	No Longer Available	1
26	A19711	VALVE CHECK 1/2NPT X	1
27	SSP-7813	ASSY NUT SLEEVE 3/8	1
28	AC-0155	PLATE	1
29	SSF-1000	SCREW #12-14X.750 HE	2
30	SSP-7821-1	NUT .563-18 UNF HEX	1
31	CAC-1155	TUBE OUTLET 2.5 & 3H	1
32	Z-D23004	GAUGE 1.5OD 200PSI .	2
33	000000-00	No Longer Available	1
34	SS-2072-1	NIPPLE .375 NPT X 1.	1
35	N053094	NIPPLE	1
36	D26889	ADAPTER .25 NPT X .2	1
37	CAC-4296-1	REGULATOR 3PORT P2 L	1
38	SS-3222-CD	PLUG PIPE	1
39	000000-00	No Longer Available	1

Parts List for F312 Type 2

Item Number	Part Number	Description	Qty Required
40	97503734	VALVE SAFETY 150 .12	1
41	CAC-1120	SLEEVE SILICONE	1
42	SUDL-403-1	ASSY CORD POWER SJT	1
43	000000-00	No Longer Available	1
43	000000-00	No Longer Available	1
45	CAC-1085-1	TUBE PRESSURE RELIEF	1
46	SSP-7811	ASSY NUT SLEEVE 1/4	1
48	5130039-00	SLEEVE	1
50	000000-00	No Longer Available	1
51	CAC-4215-1	ASSY CORD MOTOR SJT	1
52	33821-00	BUSHING	2
52	438010040063	HEYCO BUSHINGS	1
53	KK-4315	KIT VALVE REPLACEMENT	1
54	SSF-981	SCREW .250-14X.500 H	2
55	DAC-143	FILTER INTAKE	1
56	KK-4981	KIT MUFFLER FILTER	1
56	KK-4981	KIT MUFFLER FILTER	1
57	SSF-990	SCREW .250-20X1.25 U	2
58	000000-00	No Longer Available	1
59	000000-00	No Longer Available	2
60	ACG-45	ORING P/L HEAD	1
61	000000-00	No Longer Available	1
62	SSG-8156	ORING 2.759/2.719ID	1
63	KK-4835	KIT CONNECTING ROD L	1
64	KK-4835	KIT CONNECTING ROD L	1
65	000000-00	No Longer Available	1
66	000000-00	No Longer Available	1

Parts List for F312 Type 2

Item Number	Part Number	Description	Qty Required
67	SSF-3153	SCREW .313-18X.500 U	1
68	KK-5018	KIT FAN	1
69	KK-5018	KIT FAN	1
72	SUDL-9-1	SCREW #8-32X.375/.34	1
74	KK-4981	KIT MUFFLER FILTER	1
75	KK-5018	KIT FAN	1
856	000000-00	No Longer Available	1
856	000000-00	No Longer Available	1
856	KK-4981	KIT MUFFLER FILTER	1
856	KK-4835	KIT CONNECTING ROD L	1
856	KK-5018	KIT FAN	1