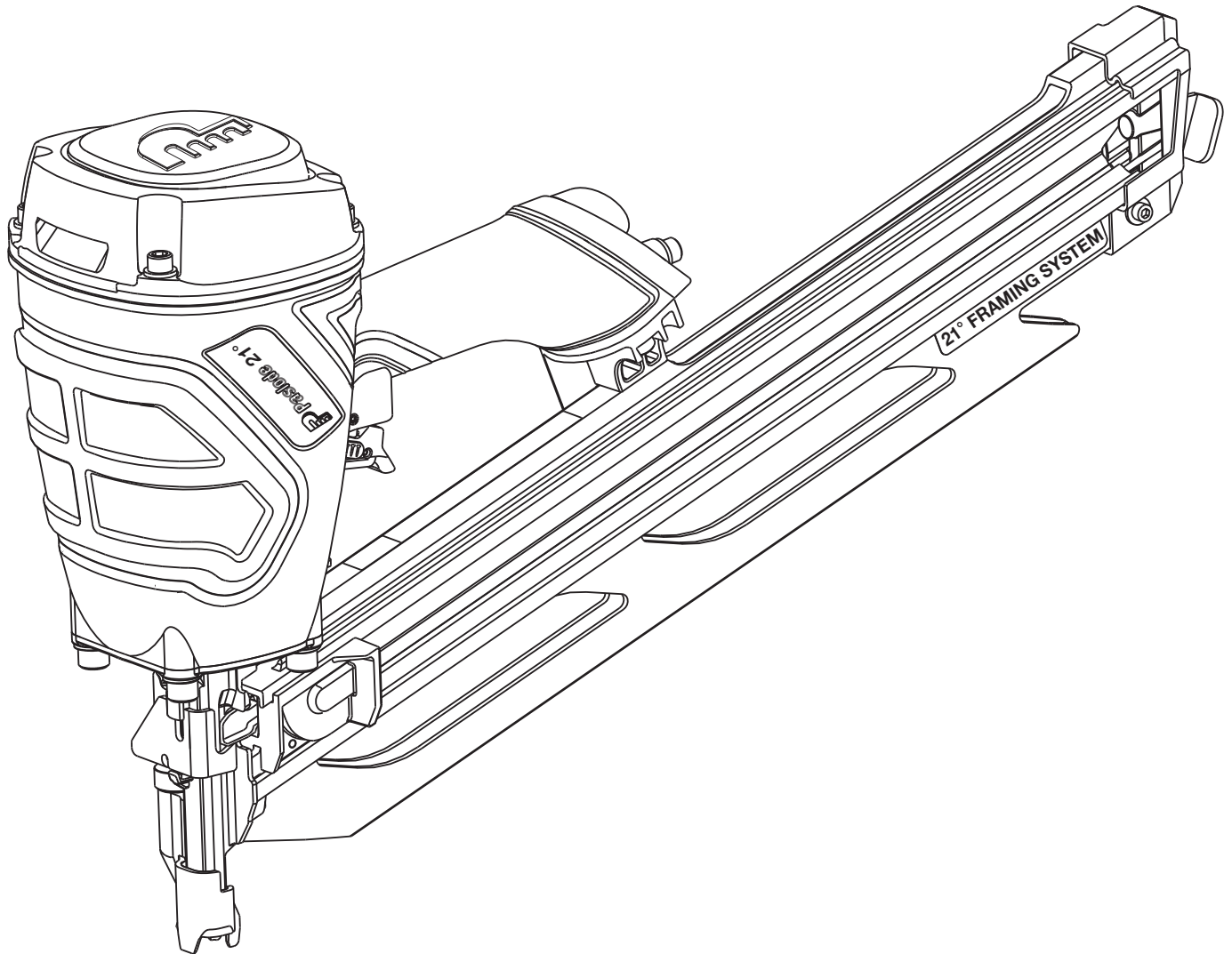




MODEL F350-21°  
Part No. 514000  
21° Round Head  
Framing Nailer



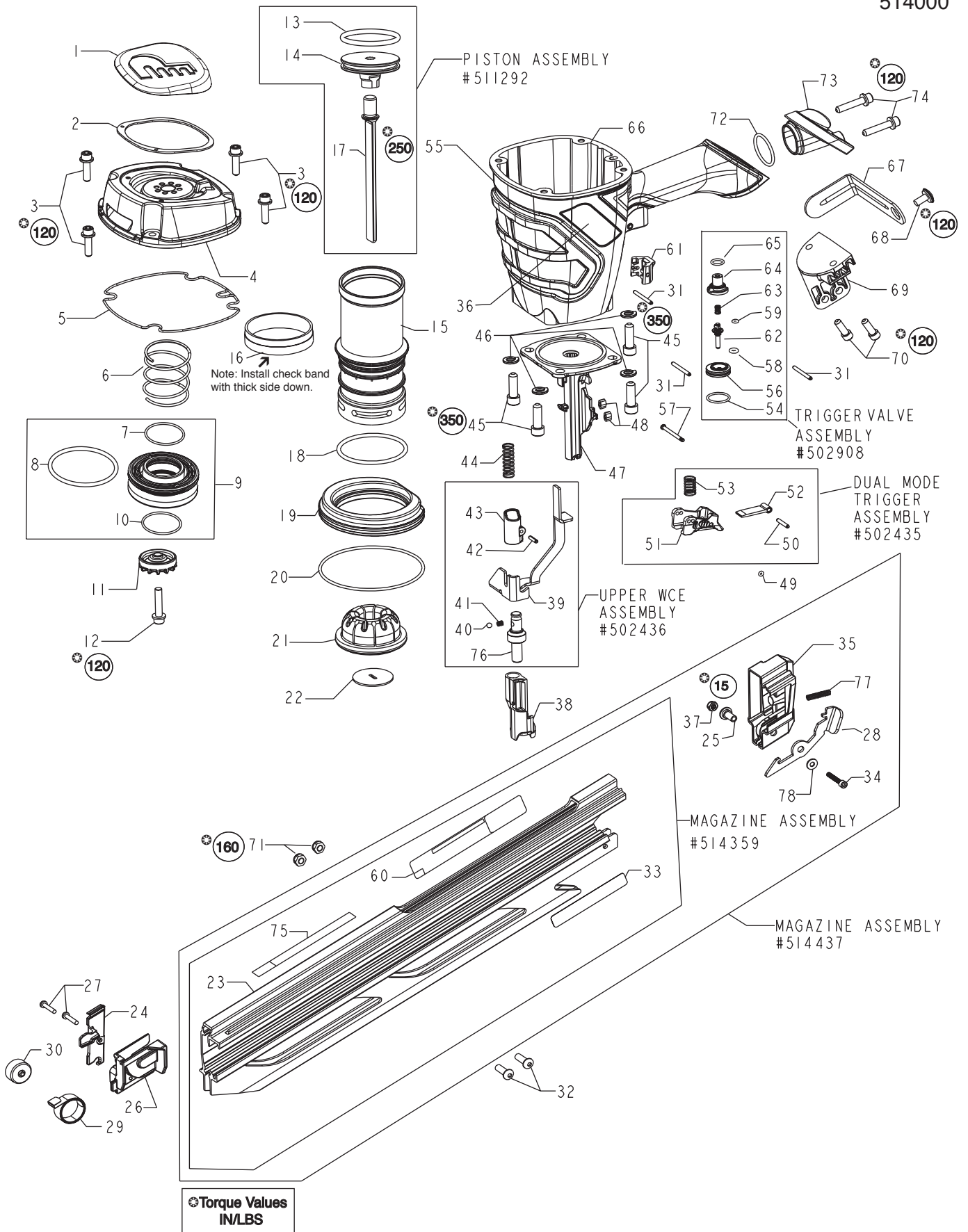
**IMPORTANT!**

**DO NOT DESTROY**

It is the customers responsibility to have all operators and service personnel read and understand this manual.

**OPERATING MANUAL AND  
SCHEMATIC**

**F350-21°**  
514000

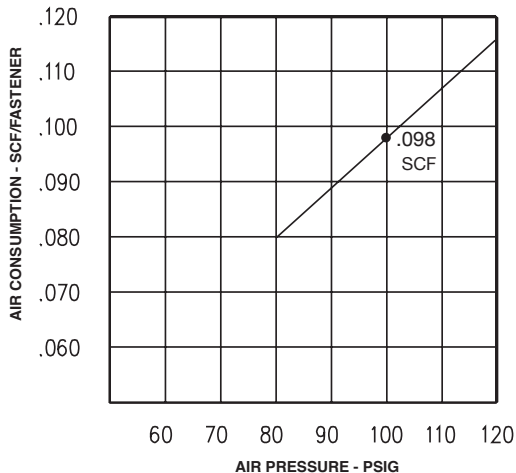


# PARTS LEGEND

# F350-21°, 514000

1	502004	1	Air Deflector	40	502049	1	Detent Ball
* 2	502062	1	Air Deflector Gasket	41	502061	1	Detent Spring
3	501299	4	S.H.C.S. 1/4-20 x 1"	42	404361	1	Roll Pin 1/8" x 1/2"
4	502003	1	Top Cap	43	502050	1	Detent Body
* 5	502013	1	Top Cap Gasket	44	502055	1	W.C.E. Spring
6	123984	1	Valve Spring	▲ 45	009016	4	S.H.C.S. 5/16-18 x 1" with Patch
* 7	502859	1	O-Ring	46	095417	4	Lock Washer 5/16
* 8	211664	1	O-Ring	47	502125	1	Nose
9	502434	1	Poppet Assembly	* 48	502014	2	Magazine Isolator
*10	198028	1	O-Ring	* 49	502042	1	O-Ring
11	502056	1	Exhaust Seal	50	091866	1	Roll Pin 1/8" x 3/4"
● 12	501300	1	S.H.C.S. 1/4-20 x 1-1/4"	51	502053	1	Dual Mode Trigger
*13	092971	1	O-Ring, Piston	52	502040	1	Trip Lever
14	501337	1	Piston	53	502060	1	Trigger Spring
15	511119	1	Sleeve	* 54	092747	1	O-Ring
*16	502010	1	Check Band	55	514035	1	Housing Label Right
■ *17	502261	1	Driver Blade	56	502043	1	Lower Valve Spool
*18	092235	1	O-Ring	57	502041	1	Trigger Pivot Pin
19	502007	1	Bulkhead	* 58	1015358	1	O-Ring
*20	401985	1	O-Ring	* 59	196345	1	O-Ring
*21	500866	1	Bumper	**60	514288	1	Name Plate/Warning Label
*22	500729	1	Driver Blade Seal	61	502033	1	W.C.E. Guide Block
23	514890	1	Magazine Assembly	62	502446	1	Valve Pin with O-Rings
24	502126	1	Follower	63	502059	1	Valve Pin Spring
25	502147	1	Latch Bushing	64	502044	1	Upper Valve Spool
26	514127	1	Follower Body	* 65	197913	1	O-Ring
27	502258	2	P.P.H.S. #6 x 3/4"	66	502353	1	Housing with Grip
28	502146	1	Follower Latch	67	502774	1	Rafter Hook
29	502026	1	Negator Spring	68	502357	1	Rafter Hook Bolt
30	502025	1	Drum Pin Assembly	69	502351	1	Magazine Bridge
31	403796	3	Roll Pin 1/8" x 1-1/4"	■ 70	009041	2	S.H.C.S. 1/4-20 x 3/4"
32	502017	2	B.H.C.S. 1/4-20 x 3/4"	71	442681	2	Locknut 1/4-20
33	514289	1	Model Label	* 72	417147	1	O-Ring
34	502274	1	S.H.C.S. #8-32 x 1"	73	502005	1	Housing End Plug
35	514129	1	Magazine End Cap	74	501300	2	S.H.C.S. 1/4-20 x 1-1/4"
36	514034	1	Housing Label Left	75	502193	1	Actuation Setting Label
37	404325	1	Locknut #8-32	76	502299	1	Thumb Wheel
38	502293	1	Lower W.C.E.	77	502191	1	Latch spring
39	502046	1	Upper W.C.E.	78	401955	1	#8 Flat Washer

- \* Denotes Normal Wear Items.
- \*\* Make sure Warning Label (514288) is properly affixed. Replace if necessary. Label available at no charge through the Service Parts Dept.
- ▲ Apply Loctite® 242 (Blue) Part No. 093500
- Apply Loctite® 620 (Green) Part No. 401491
- Apply Loctite® 271 (Red) Part No. 093422
- Denotes New Change



## SAFETY INSTRUCTIONS

### WEAR EYE AND HEARING PROTECTION



Always wear hearing protection and eye protection devices, including side shields when operating or working in the vicinity of a tool.



### DO NOT EXCEED MAXIMUM RECOMMENDED AIR PRESSURE



Operate the tool using only the recommended air pressure. Do not exceed the maximum air pressure marked on the tool. Be sure the air pressure gauge is operating properly and check it at least twice a day.



Never use any bottled air or gases such as oxygen to operate the tool since they could cause the tool to explode.