

**IMPORTANT**-To assure product **SAFETY** and **RELIABILITY**, repairs, maintenance or adjustments should be performed by **HITACHI** Service Centers or other qualified service organizations. Always use **HITACHI** replacement parts.

ITEM NO.	PART NO.	NO. USED	DESCRIPTION	SUPPLY Q'TY	ITEM NO.	PART NO.	NO. USED	DESCRIPTION	SUPPLY Q'TY
1	995-344	1	FLAT HD. SCREW (A) (LEFT HAND) M6X25		10	983-225	2	CHANGE KNOB	
2	987-578	1	CHUCK WRENCH FOR 13VLB - D, 13VLR - D		11	983-224	1	CHANGE PLATE	
3		1	DRILL CHUCK 13VLR - D INCLUD.2		12	983-228	1	SPRING (A)	
4	303-758	1	SPINDLE		13A	305-088	1	HOLDER	
5	303-851	1	SPRING		14	808-VVM	1	BALL BEARING 808VVMC2EPS2L	
6	820-1VV	1	BALL BEARING 6201VVMCPS2S		15	360-207C	1	ARMATURE	
7	939-542	1	RETAINING RING FOR D12 SHAFT	10	16	340-222C	1	STATOR	
8	987-073	1	GEAR		17	626-VVM	1	BALL BEARING 626VVMC2ERPS2S	
9	959-149	1	STEEL BALL D4.78	10	18	303-864	1	HOUSING (A).(B) SET	
10	983-225	2	CHANGE KNOB		19	308-818	1	NAME PLATE	
					20	302-088	7	TAPPING SCREW (W/FLANGE) D4X20(BLACK)	

**Lubrication Guide :**

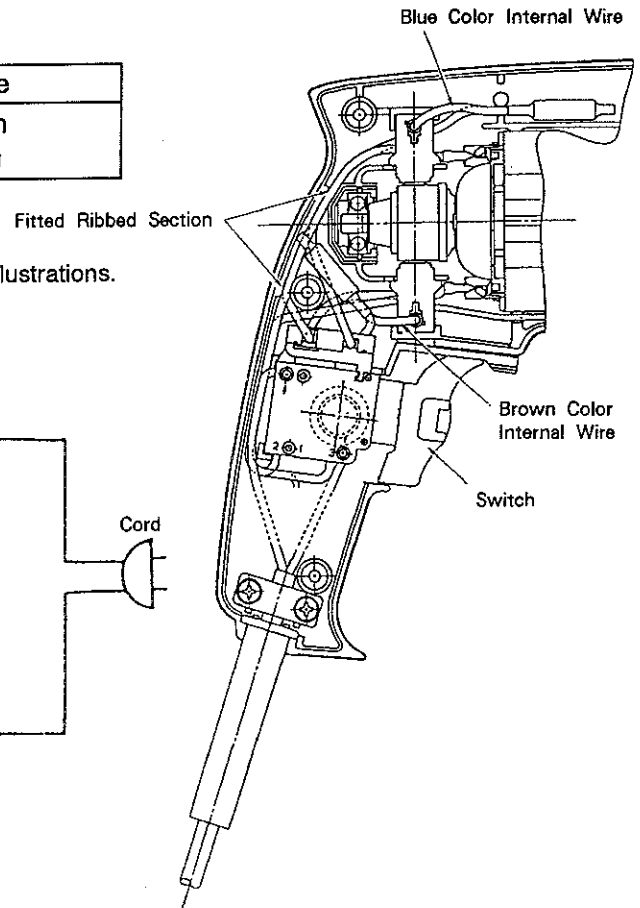
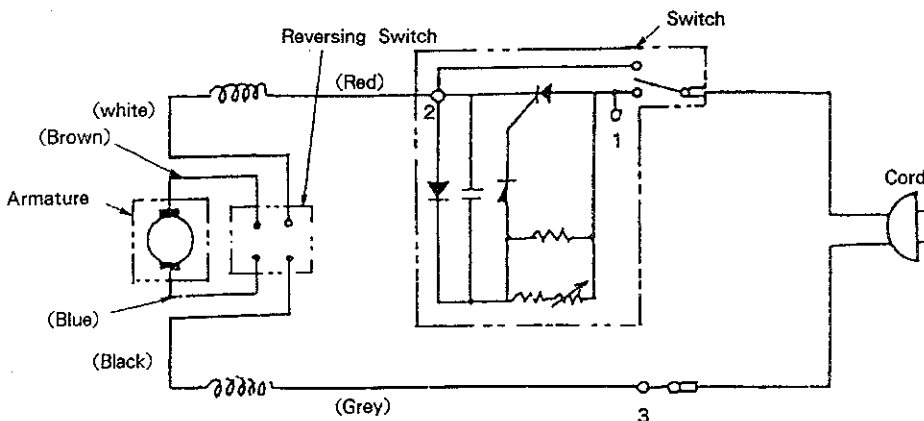
Lubrication Points	Recommended Lubricant
Gear Chamber	Hitachi Motor Grease No. 29 (3g)
Gear Teeth portion	Hitachi Motor Grease No. 29
Gear Ratchet Portion	//
Spindle Ball Chamber	//
Holder Metal	//

**Tightening Torque Guide :**

Part Name	Tightening Torque
Drill Chuck	300 ~ 400 kg.cm
D4 Tapping Screws	14 ~ 22 kg.cm

**Wiring Diagrams and Internal Wiring Arrangements :**

Arrange and connect wiring in accordance with the following illustrations.

**Wiring Diagrams**

**Insulation Tests :**

On completion of disassembly and repair, measure the insulation resistance and conduct dielectric strength test.

Insulation Resistance : 7MΩ or more with DC500V Megohm Tester.

Dielectric Strength : AC 2,500V/1 minute, with on abnormalities

.....110 ~ 127V Products

ITEM NO.	PART NO.	NO. USED	DESCRIPTION	SUPPLY Q'TY	ITEM NO.	PART NO.	NO. USED	DESCRIPTION	SUPPLY Q'TY
21	999-041	2	CARBON BRUSH (1 PAIR)		30	303-882	1	CORD ARMOR D8.8	
22	930-483	2	BRUSH HOLDER		31	980-288	1	CORD CLIP	
23	303-880	1	INTERNAL WIRE (A)		32	984-750	2	TAPPING SCREW (W/FLANGE) D4X16	
23	303-885	1	CHOKE COIL		33	500-240Z	1	CORD	
24	303-857	1	INTERNAL WIRE (D)		34	303-855	1	INTERNAL WIRE (B)	
25	303-853	1	SWITCH (L) (2P PILLAR TYPE) W/LOCK		35	303-854	1	INTERNAL WIRE (A)	
26	303-856	1	INTERNAL WIRE (C)		501	303-659	1	SIDE HANDLE	
27	303-861	1	INTERNAL WIRE (B)		502	303-709	1	DEPTH GAUGE	
28		1	HITACHI LABEL		503	950-530	1	CASE ASS'Y	
29	981-373	2	TUBE (D) FOR CORD						