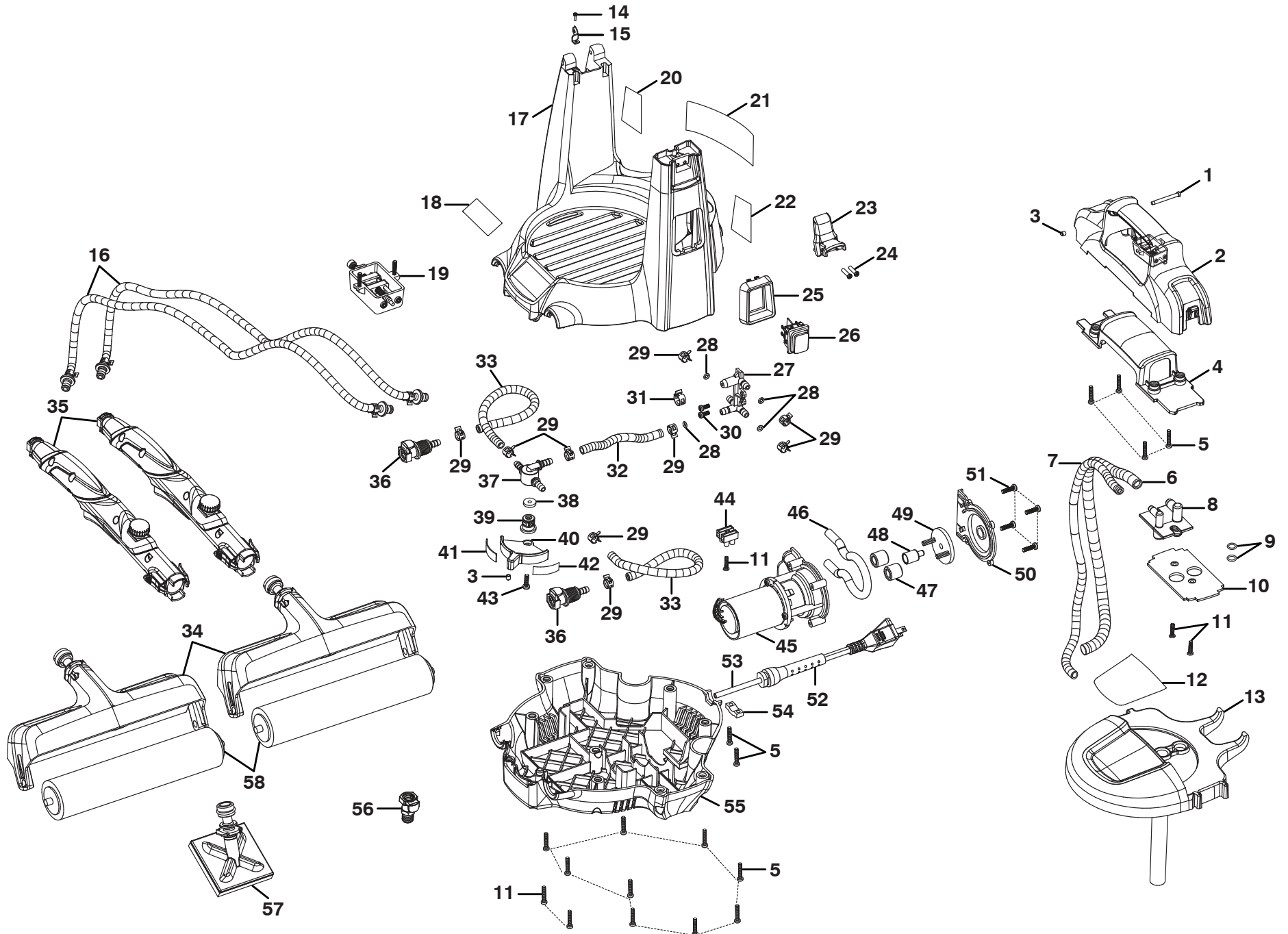


DUET™ POWER PAINT SYSTEM – MODEL NUMBER FPR200



DUET™ POWER PAINT SYSTEM – MODEL NUMBER FPR200

The model number will be found on a label attached to the motor housing. Always mention the model number in all correspondence regarding your **DUET™ POWER PAINT SYSTEM** or when ordering parts.

PARTS LIST

| KEY NO. | PART NUMBER | DESCRIPTION | QTY | KEY NO. | PART NUMBER | DESCRIPTION | QTY |
|---------|-------------|---------------------------------|-----|-------------------|-------------|-------------------------------------|-----|
| 1 | 672989001 | Contact Pin | 1 | 32 | 562539001 | Tube (170 mm) | 1 |
| 2 | 521756003 | Handle..... | 1 | 33 | 562540001 | Tube (260 mm) | 2 |
| 3 | 301146005 | Spring Plunger | 2 | 34 | 201570001 | Feeder Roller Assembly..... | 1 |
| 4 | 521758001 | Lid Connector Support | 1 | 35 | 303856001 | Handle Assembly | 1 |
| 5 | 661349001 | Screw (M4 x 16 mm)..... | 15 | 36 | 303293004 | Quick Connector Shut Off | 2 |
| 6 | 562538001 | Tube (410 mm) | 1 | 37 | 521762001 | Gate Control Valve | 1 |
| 7 | 562537001 | Tube (440 mm) | 1 | 38 | 560172001 | Cushion..... | 1 |
| 8 | 521757001 | Lid Connector | 1 | 39 | 519913001 | Switch Trigger | 1 |
| 9 | 562481001 | O-Ring | 2 | 40 | 521763001 | Gate Control Button..... | 1 |
| 10 | 521987001 | Lid Connector Cover | 1 | 41 | 940001173 | Inlay Label (Dual)..... | 1 |
| 11 | 660206042 | Screw (M3.5 x 16 mm)..... | 5 | 42 | 940001172 | Inlay Label (Single)..... | 1 |
| 12 | 940001171 | Inlay Label..... | 1 | 43 | 660206014 | Screw (M3.5 x 14 mm)..... | 1 |
| 13 | 521764001 | Lid | 1 | 44 | 690331001 | Terminal Block | 1 |
| 14 | 661047002 | Screw (M2.6 x 14 mm)..... | 1 | 45 | 303947003 | Motor Pump Assembly | 1 |
| 15 | 633477002 | Spring Cover | 1 | 46 | 520024001 | Pump Tube..... | 1 |
| 16 | 303758005 | Export Tube Assembly | 1 | 47 | 519494001 | Pump Roller | 2 |
| 17 | 521754001 | Housing Assembly | 1 | 48 | 520366001 | Pump Shaft..... | 1 |
| 18 | 940114156 | Logo Label | 1 | 49 | 519496001 | Pump Body Cover | 1 |
| 19 | 303298004 | Bypass Valve Assembly | 1 | 50 | 519492001 | Pump Housing Cover | 1 |
| 20 | 940221193 | French Warning Label | 1 | 51 | 660313004 | Screw (M8 x 16 mm)..... | 4 |
| 21 | 940032125 | Data label..... | 1 | 52 | 5908701 | Bend Relief | 1 |
| 22 | 940221194 | Spanish Warning Label | 1 | 53 | 730377048 | Power Cord..... | 1 |
| 23 | 303906001 | Buckle Assembly | 1 | 54 | 590501002 | Cord Clamp | 1 |
| 24 | 660272001 | Screw (M4 x 14 mm)..... | 2 | 55 | 521755001 | Housing Base | 1 |
| 25 | 521766001 | Switch Cover | 1 | 56 | 303314002 | Connector w/Out Shut Off | 1 |
| 26 | 760223006 | Switch (On/Off) | 1 | 57 | 201528003 | Trim Pad Assembly | 1 |
| 27 | 519473002 | Multi-Hole Connector | 1 | 58 | 201569001 | Roller Assembly | 1 |
| 28 | 560174001 | O-Ring (OD 7.7 x ID4.3 mm)..... | 4 | Not Shown: | | | |
| 29 | 633095001 | Quick Spring Clamp..... | 9 | 988000047 | | Operator's Manual (961067401) | 1 |
| 30 | 660208038 | Screw (M4 x 10 mm)..... | 2 | 5-2-13 | | | |
| 31 | 633188001 | Quick Spring Clamp..... | 1 | (Rev:07) | | | |