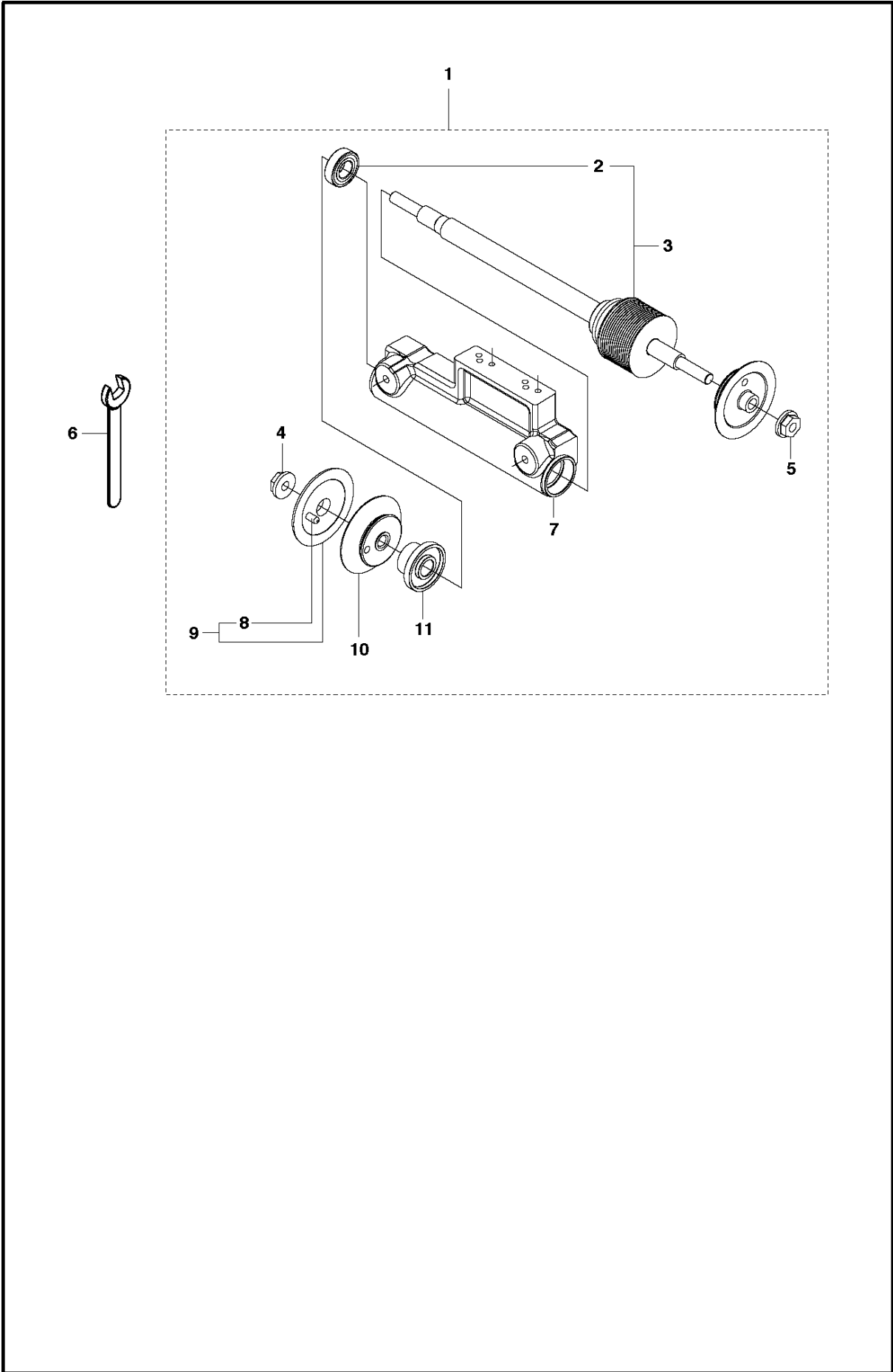




# SPARE PARTS LIST

FLOOR SAWS

FS413, 2006-11



## BLADESHAFT

FS413, 2006-11

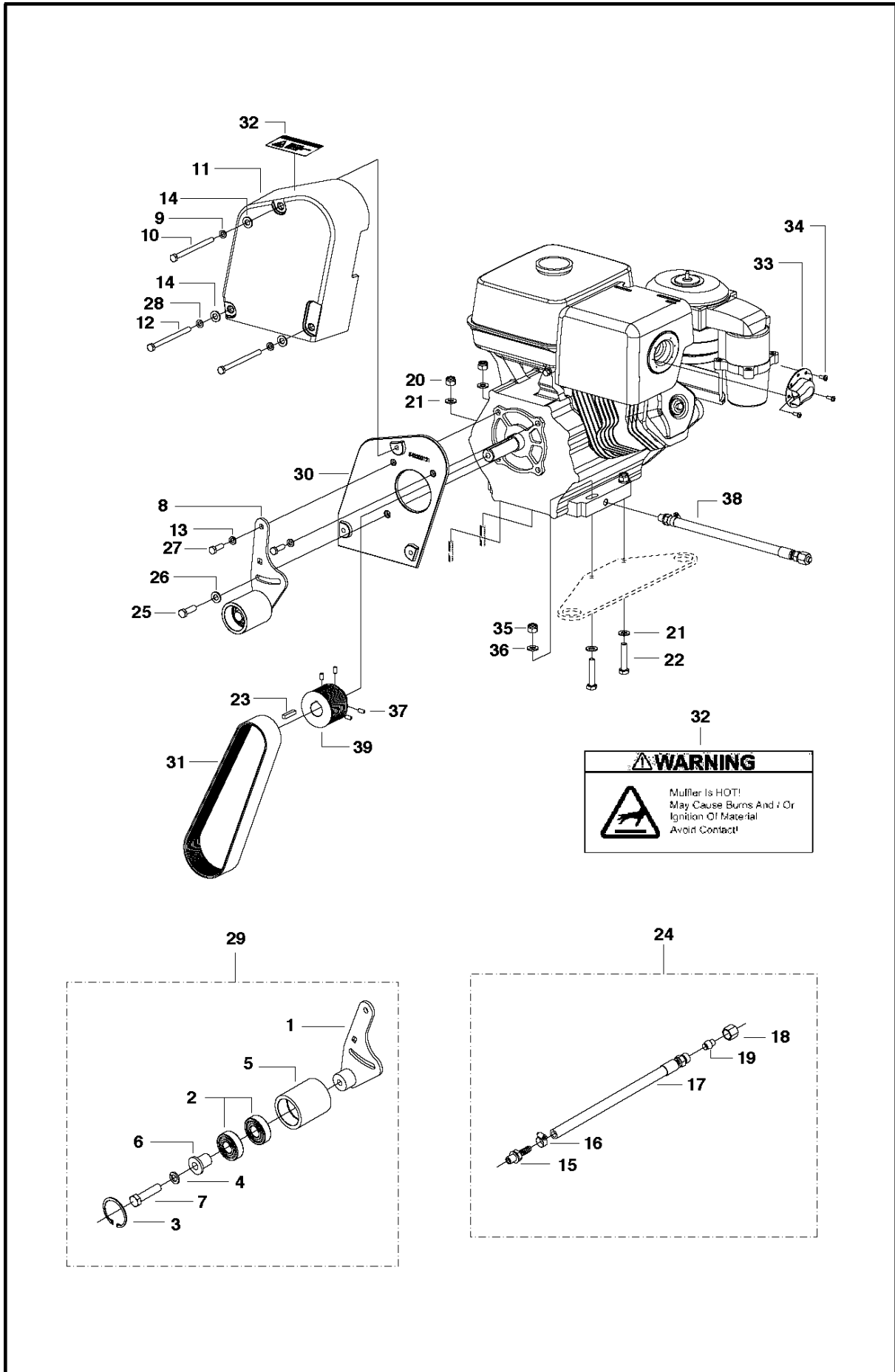
Ref	Part No	Description	Remark	QTY KIT	
1	541 20 72-41	BLADE SHAFT		1	
2	541 20 81-60	BEARING		1	
3	504 00 79-01	BLADE SHAFT		1	1
4	542 16 78-46	NUT		1	1
5	542 16 78-47	NUT		1	1
6	542 20 22-92	WRENCH		1	
7	541 20 72-40	HOUSING		1	1
8	542 16 79-64	PIN		1	1
9	542 16 79-62	COLLAR		1	1
10	542 16 71-85	COLLAR		2	1
11	541 20 71-88	HUB		1	1



## CONTROL CONSOLE

FS413, 2006-11

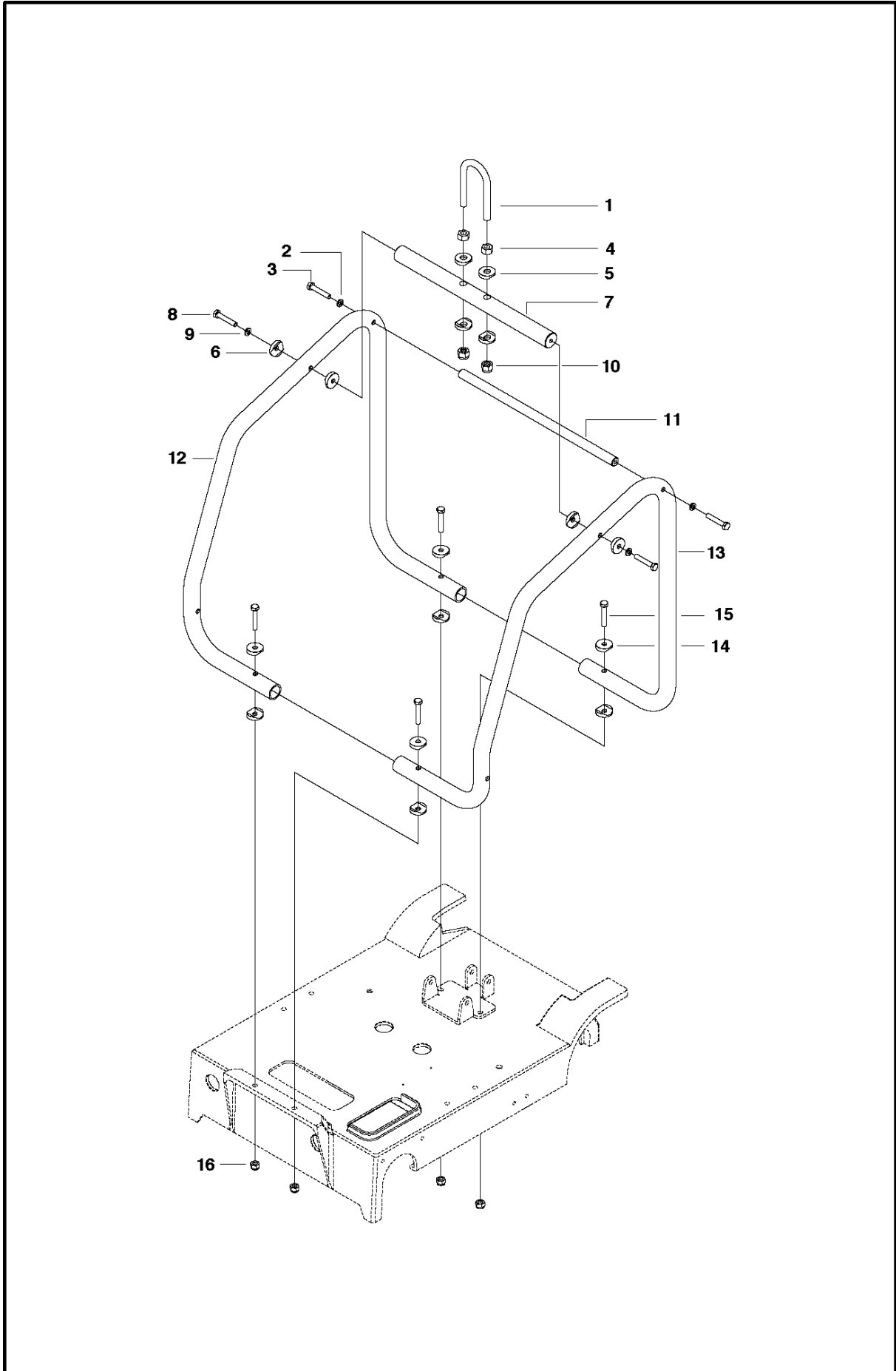
Ref	Part No	Description	Remark	QTY	KIT
1	504 03 12-09	HANDLE		1	
2	542 13 95-68	GRIP		1	1
3	504 03 12-07	HANDLE		4	1
4	542 19 06-38	DECAL		4	
5	542 20 24-25	DECAL		1	
6	734 11 63-01	WASHER		1	
7	724 13 29-51	SCREW CRPANM		1	
8	502 24 01-05	DECAL		1	
9	721 61 43-01	PIN		2	
10	542 20 41-13	SPRING		2	
11	539 30 05-56	HOUR METER		1	
12	735 11 36-01	SPRING WASHER 4.1X7.1		1	
13	725 22 91-71	SCREW EHHM		1	
14	541 20 82-79	BOLT		1	
15	542 20 21-63	WHEEL		1	
16	732 25 18-01	HEXAGON LOCKING NUT		1	
17	542 19 05-88	DECAL		1	
18	586 46 90-01	CONSOLE		1	
19	542 20 22-36	THROTTLE		4	
20	542 20 23-34	LOCKING PIN		4	
21	542 20 21-69	CAP		1	
22	735 11 64-01	SPRING WASHER		1	
23	725 24 57-71	SCREW EHHM		1	
24	582 10 15-01	STOP SWITCH		1	
25	542 19 05-88	DECAL		1	
26	542 20 21-64	BRACKET		1	
27	542 18 22-52	CORD		1	
28	542 19 07-33	DECAL		2	
29	542 19 07-33	DECAL		1	
30	502 24 01-05	DECAL		1	
31	542 19 06-38	DECAL		1	
32	725 23 70-71	SCREW EHHM		4	
33	735 11 53-01	WASHER		4	
34	734 11 52-01	WASHER		4	
35	502 85 62-05	BRACKET		1	



## ENGINE &amp; IDLER

FS413, 2006-11

Ref	Part No	Description	Remark	QTY	KIT
1	541 20 81-90	BRACKET		1	29
2	542 13 92-73	BALL BEARING		2	29
3	735 31 40-10	CIRCLIP		1	29
4	735 11 78-01	WASHER		1	29
5	541 20 81-95	SHEAVE		1	29
6	541 20 81-94	SPACER		1	29
7	725 25 42-51	SCREW EHHM		1	29
8	541 20 81-96	IDLER SHEAVE ASSEMBLY		1	
9	735 11 64-01	SPRING WASHER		1	
10	725 24 71-71	BOLT		1	
11	542 20 23-75	BELT GUARD		1	
12	725 24 73-51	SCREW EHHM		2	
13	735 11 64-01	SPRING WASHER		2	
14	734 11 63-01	WASHER		2	
15	542 16 71-33	ADAPTER		1	24
16	539 30 00-72	CLAMP, HOSE, MAH-4 FUEL LINE		1	24
17	542 20 21-52	HOSE ASSY		1	24
18	542 16 76-22	NUT		1	24
19	542 16 73-06	CAP		1	24
20	732 25 20-01	HEXAGON LOCKING NUT		2	
21	575 86 63-01	WASHER		2	
22	725 25 01-51	SCREW EHHM		2	
23	539 91 27-57	KEY		1	
24	542 20 21-51	OIL		1	
25	539 97 69-41	SCREW		1	
26	543 04 47-32	WASHER		1	
27	541 20 51-97	BOLT		2	
28	735 11 64-01	SPRING WASHER		2	
29	541 20 81-96	IDLER SHEAVE ASSEMBLY		1	
30	542 20 23-59	BELT GUARD		1	
31	542 20 21-50	BELT		1	
32	542 16 90-65	DECAL		1	
33	543 04 78-41	EXHAUST		1	
34	729 53 40-01	SCREW CCRPANT		3	
35	732 25 20-01	HEXAGON LOCKING NUT		2	
36	734 11 72-01	WASHER		2	
37	542 13 97-68	SCREW		4	
38	542 20 21-51	OIL		1	
39	504 73 65-07	PULLEY		1	

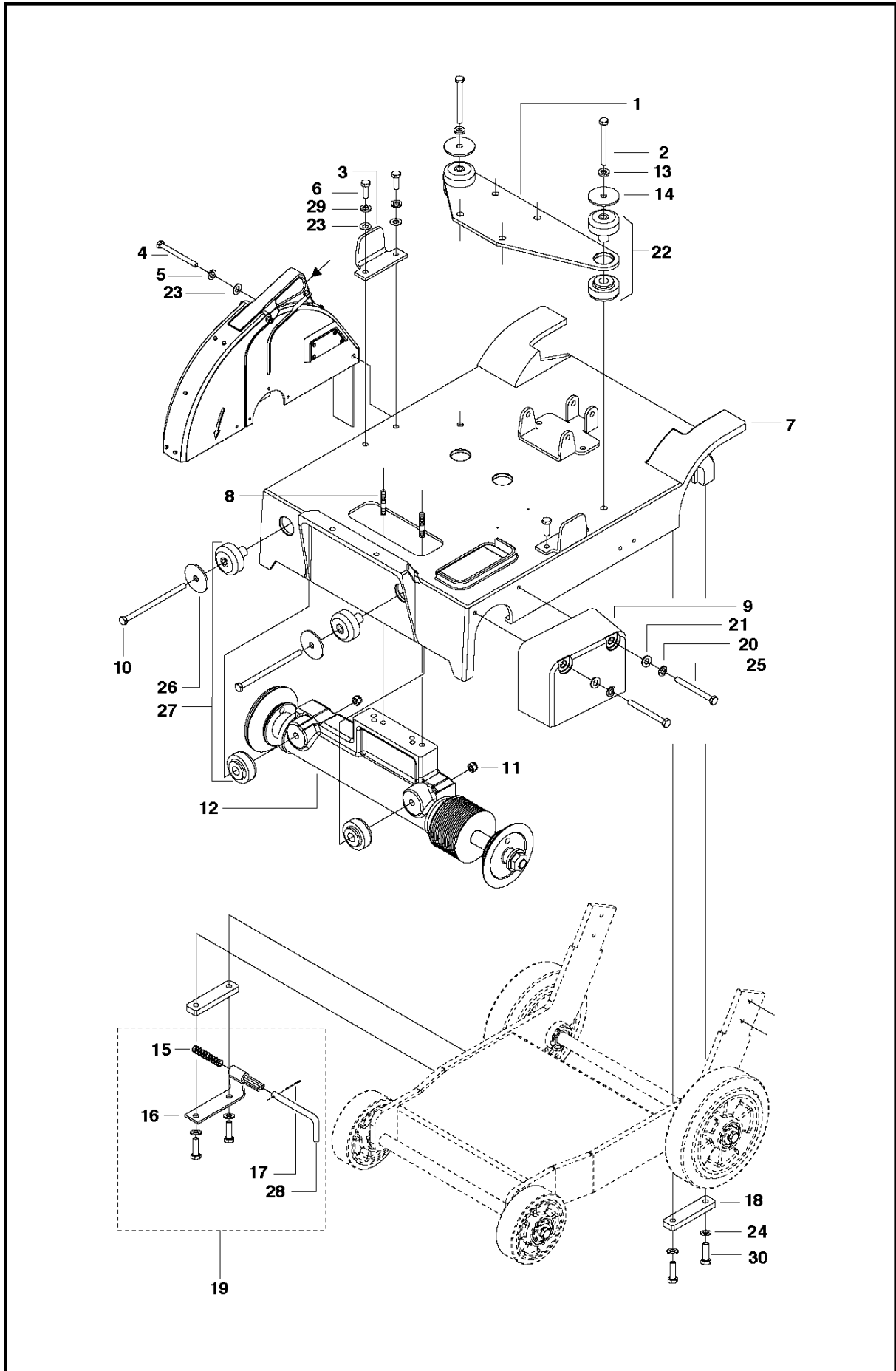




## ENGINE CAGE

FS413, 2006-11

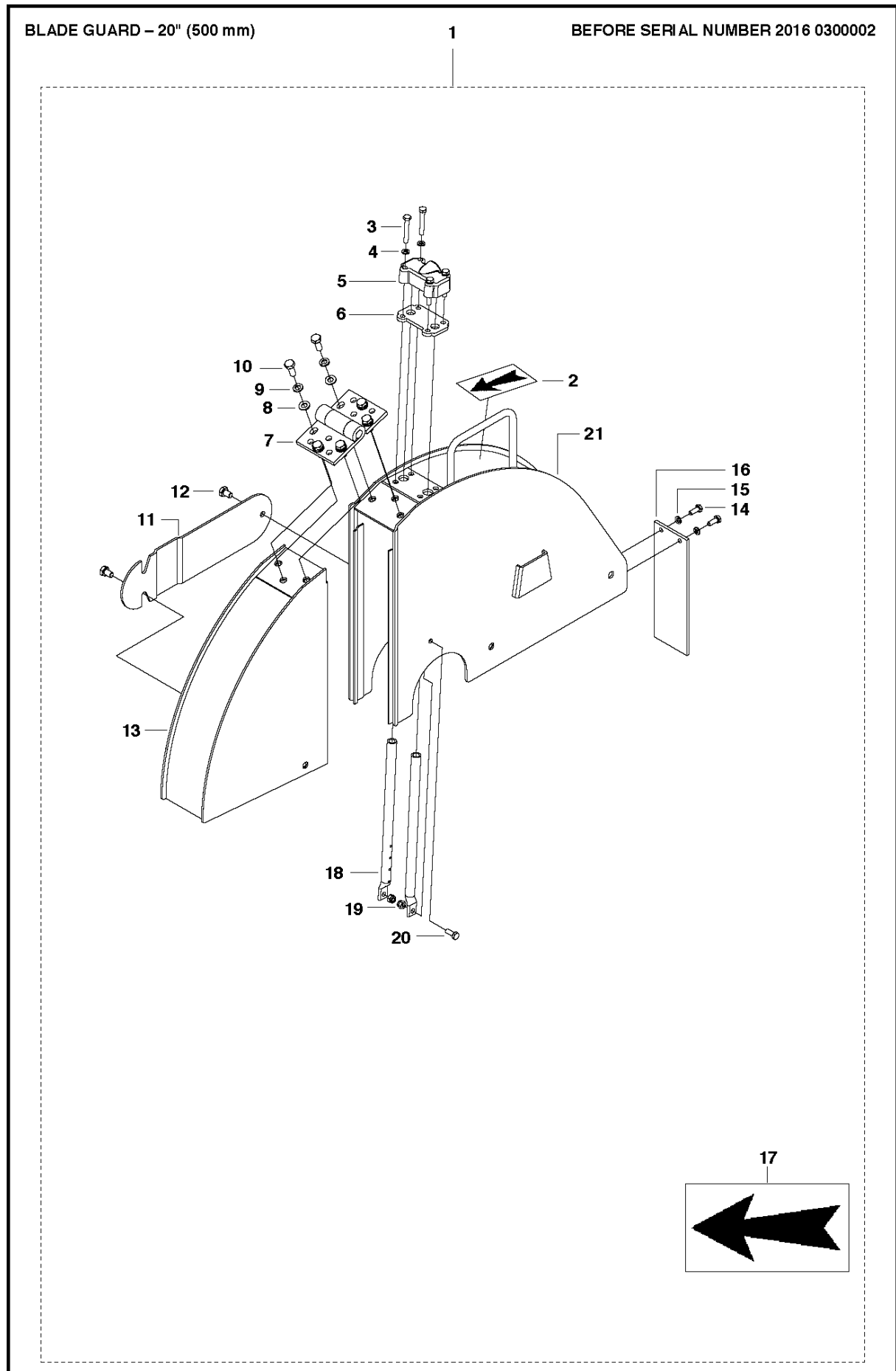
Ref	Part No	Description	Remark	QTY KIT
1	542 20 21-87	BOLT		1
2	735 11 64-01	SPRING WASHER		2
3	725 24 61-71	SCREW EHHM		2
4	731 23 22-01	HEXAGON NUT		2
5	542 20 21-88	WASHER		4
6	542 20 21-84	WASHER		4
7	542 20 21-86	BAR		1
8	725 24 61-71	SCREW EHHM		2
9	735 11 64-01	SPRING WASHER		2
10	732 25 22-01	HEXAGON LOCKING NUT		2
11	542 20 21-85	BAR		1
12	542 20 21-81	ENGINE COVER		1
13	542 20 21-82	ENGINE COVER		1
14	542 20 21-84	WASHER		8
15	725 24 63-51	SCREW EHHM		4
16	732 25 18-01	HEXAGON LOCKING NUT		1



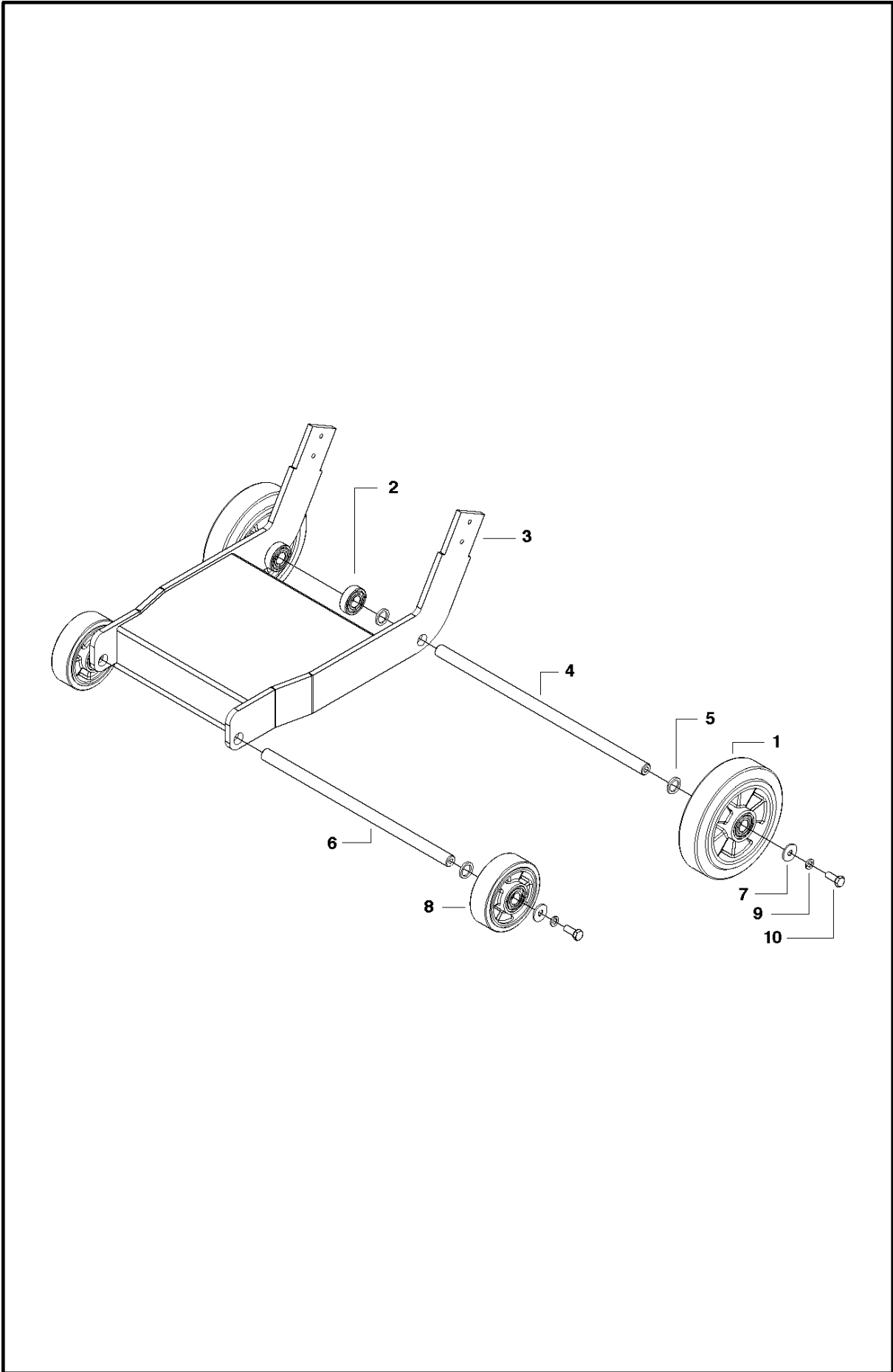
## FRAME

FS413, 2006-11

Ref	Part No	Description	Remark	QTY	KIT
1	501 97 95-02	PLATE		1	
2	725 25 05-51	SCREW EHHM		2	
3	542 20 41-85	BRACKET		2	
4	725 24 71-71	BOLT		1	
5	735 11 64-01	SPRING WASHER		1	
6	725 24 53-71	SCREW EHHM		4	
7	542 20 24-07	FRAME		1	
8	597 52 99-01	STUD		2	
9	542 20 23-74	GUARD		1	
10	542 18 44-55	HHCS. M10X1.5X130MM Z/P		2	
11	732 25 20-01	HEXAGON LOCKING NUT		2	
12	541 20 72-41	BLADE SHAFT		1	
13	735 11 73-01	SPRING WASHER		2	
14	542 20 21-06	WASHER		2	
15	542 20 23-96	SPRING		1	19
16	542 20 23-94	BRAKE		1	19
17	721 61 43-01	PIN		1	19
18	501 97 96-02	BRACKET		2	
19	542 20 23-99	BRAKE ASSY		1	
20	735 11 64-01	SPRING WASHER		4	
21	734 11 63-01	WASHER		4	
22	542 16 11-96	ISOLATOR		2	
23	734 11 63-01	WASHER		2	
24	735 11 64-01	SPRING WASHER		2	
25	725 24 71-71	BOLT		2	
26	542 20 21-06	WASHER		2	
27	542 16 11-96	ISOLATOR		2	
28	542 20 23-97	PIN		1	19
29	735 11 64-01	SPRING WASHER		4	
30	725 24 53-71	SCREW EHHM		4	



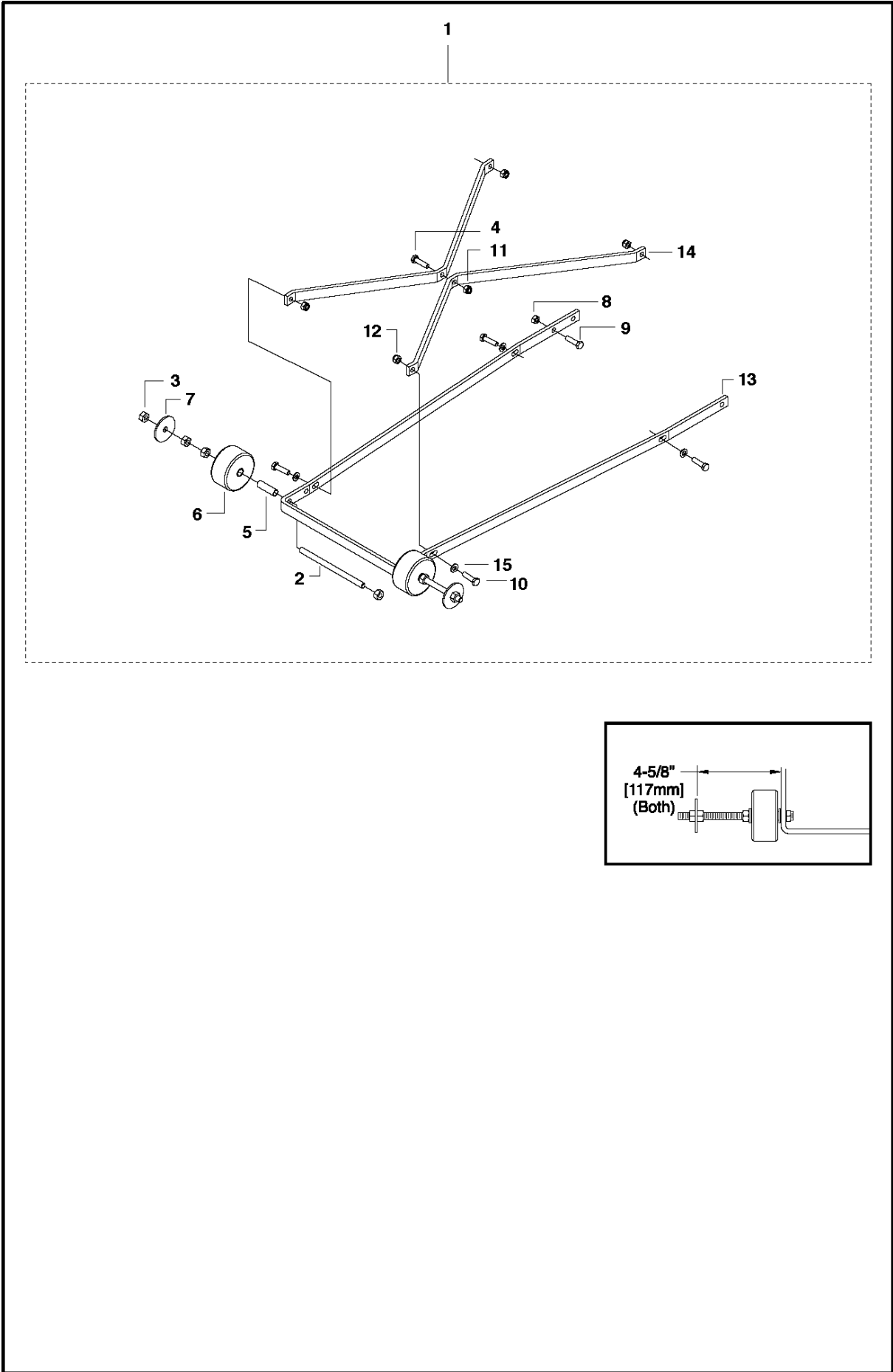
Ref	Part No	Description	Remark	QTY	KIT
1	501 12 59-01	BLADE GUARD		1	
2	543 85 00-37	STICKER		1	1
3	725 23 78-71	SCREW EHHM		4	1
4	735 11 53-01	WASHER		4	1
5	542 13 90-45	AXE		1	1
6	542 13 90-51	JOINT		1	1
7	590 34 44-01	HINGE		1	1
8	734 11 63-01	WASHER		6	1
9	735 11 64-01	SPRING WASHER		6	1
10	725 24 51-71	SCREW EHHM		6	1
11	590 52 07-01	COVER		1	1
12	725 24 47-71	SCREW EHHM		2	1
13	501 12 56-01	BLADE GUARD		1	1
14	725 23 68-71	SCREW EHHM		2	1
15	734 11 64-01	WASHER		2	1
16	542 20 40-64	FLAP		1	1
17	543 85 00-37	STICKER		1	1
18	501 12 58-01	TUBE		2	1
19	732 25 16-01	HEXAGON LOCKING NUT		2	1
20	725 23 68-71	SCREW EHHM		2	1



## LOWER FRAMING

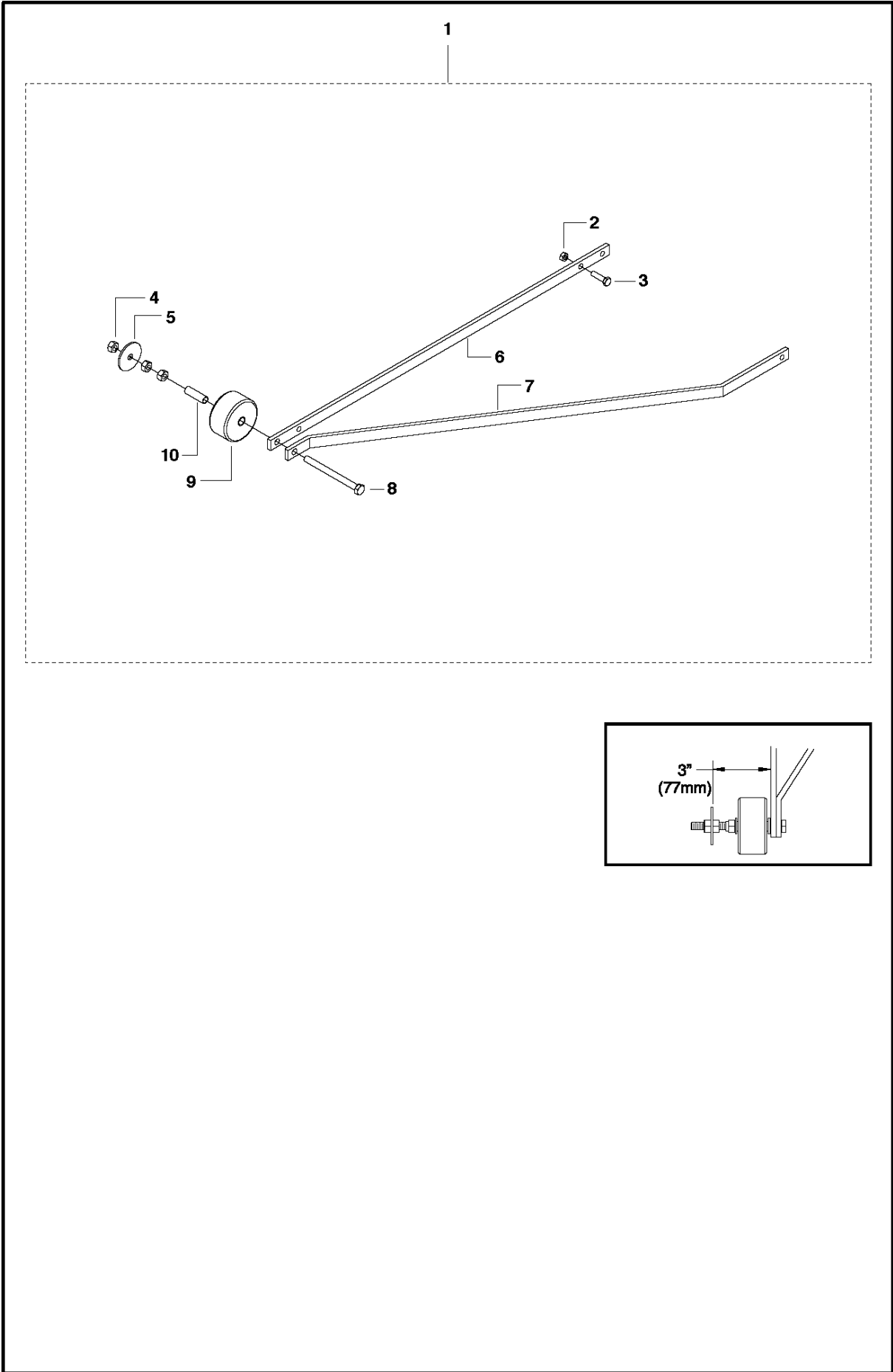
FS413, 2006-11

Ref	Part No	Description	Remark	QTY	KIT
1	543 04 59-51	WHEEL		1	1
2	542 13 92-73	BALL BEARING		2	1
3	542 20 24-20	AXLE		1	1
4	542 20 24-17	AXLE		1	1
5	542 20 20-62	WASHER		6	1
6	542 20 24-16	AXLE		1	1
7	734 11 74-41	WASHER		4	1
8	543 04 59-49	WHEEL		2	1
9	735 11 73-01	SPRING WASHER		4	1
10	725 24 93-71	SCREW EHHM		4	1





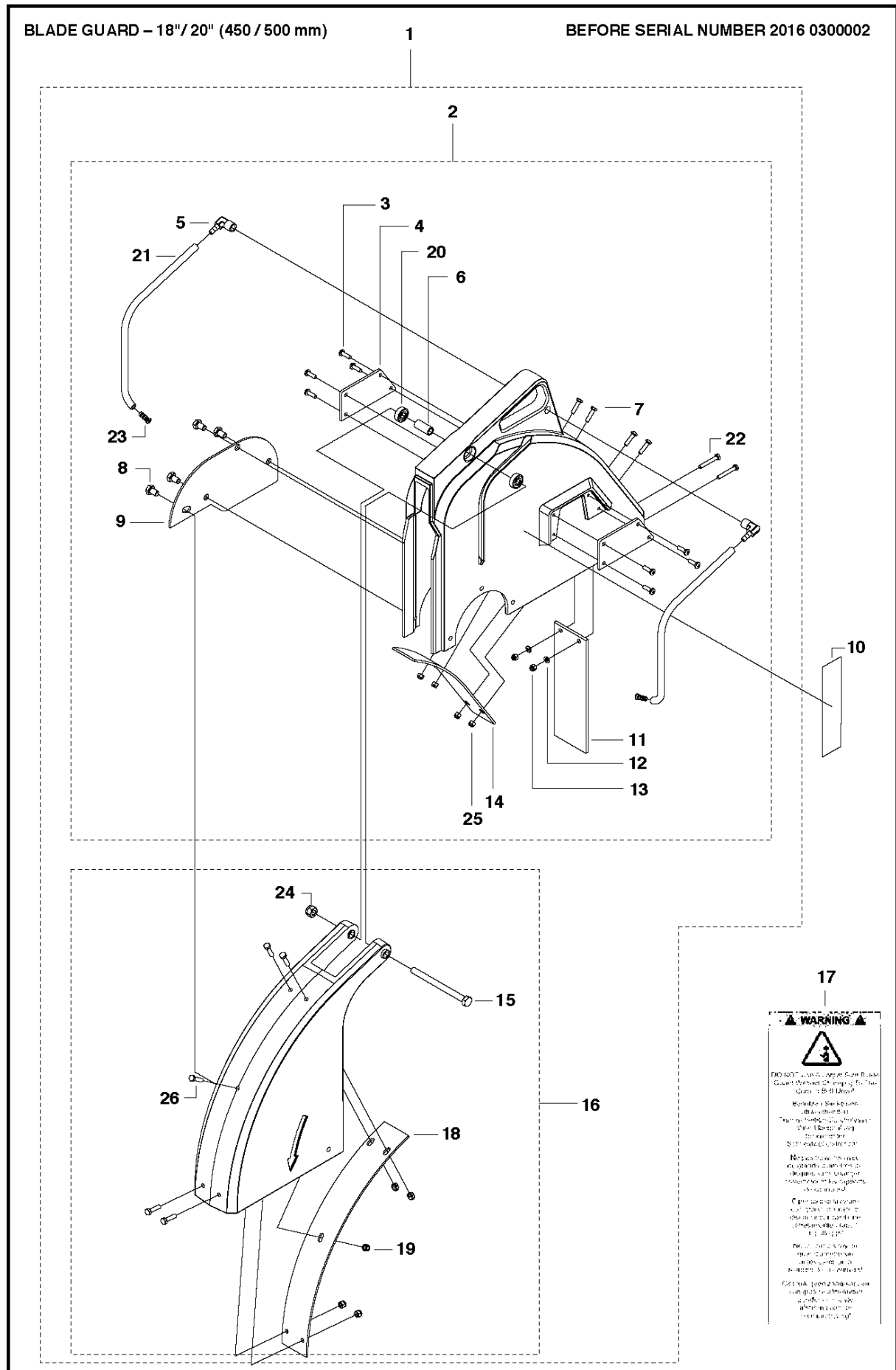
Ref	Part No	Description	Remark	QTY KIT	
1	542 20 22-70	POINTER		8	
2	542 20 20-77	ROD		2	1
3	731 23 20-01	HEXAGON NUT		1	1
4	725 24 55-71	SCREW EHHM		4	1
5	542 20 20-75	BUSHING		2	1
6	543 04 59-32	WHEEL		2	1
7	542 20 21-06	WASHER		2	1
8	731 23 18-01	HEXAGON NUT		1	1
9	725 24 55-71	SCREW EHHM		1	1
10	725 24 55-71	SCREW EHHM		1	1
11	732 25 18-01	HEXAGON LOCKING NUT		1	1
12	732 25 18-01	HEXAGON LOCKING NUT		4	1
13	542 20 22-71	BAR. OUTSIDE. FINISHED		1	1
14	542 20 22-74	BAR PLATE		2	1
15	734 11 63-01	WASHER		4	1



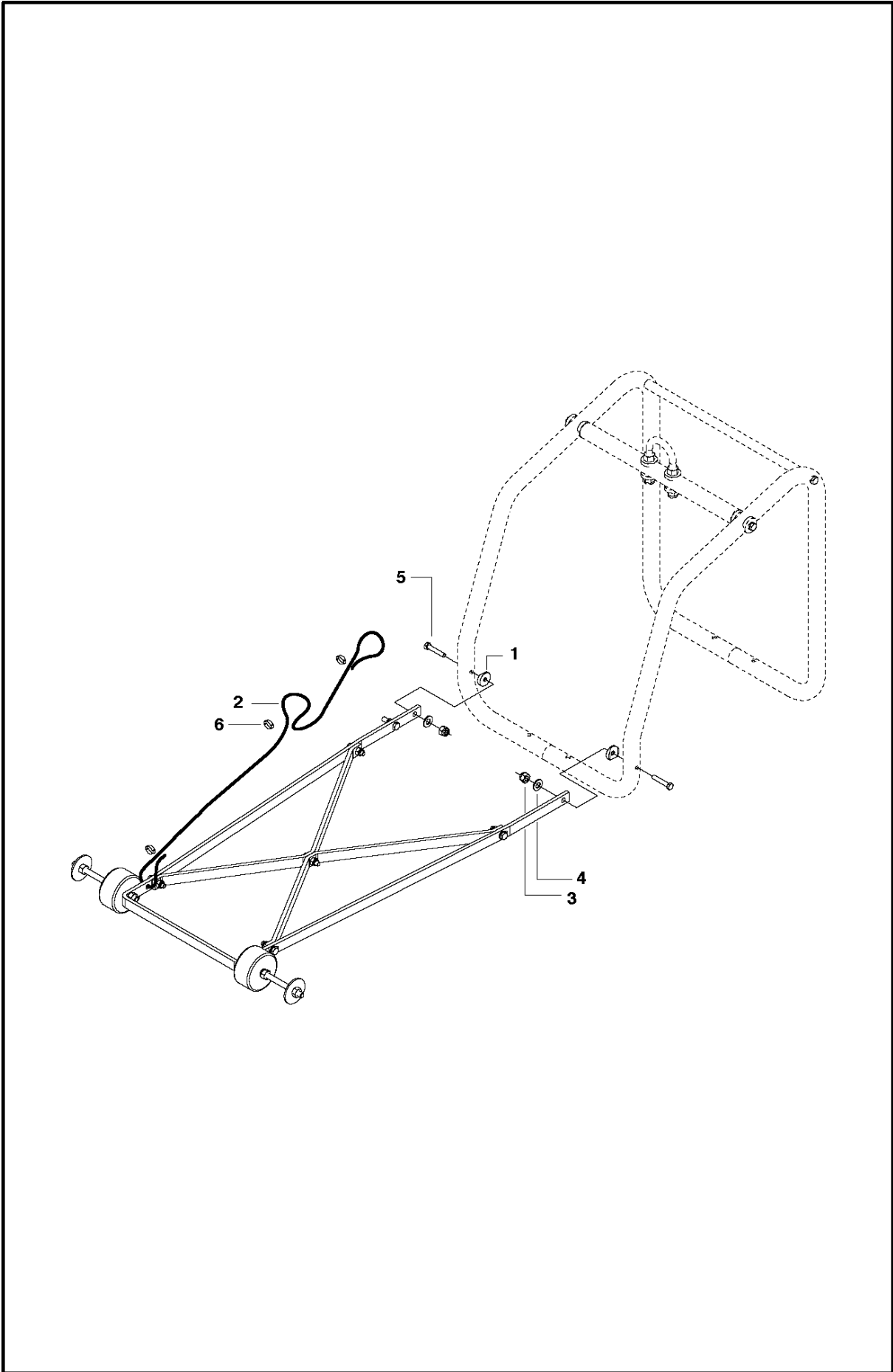
POINTER - SINGLE

FS413, 2006-11

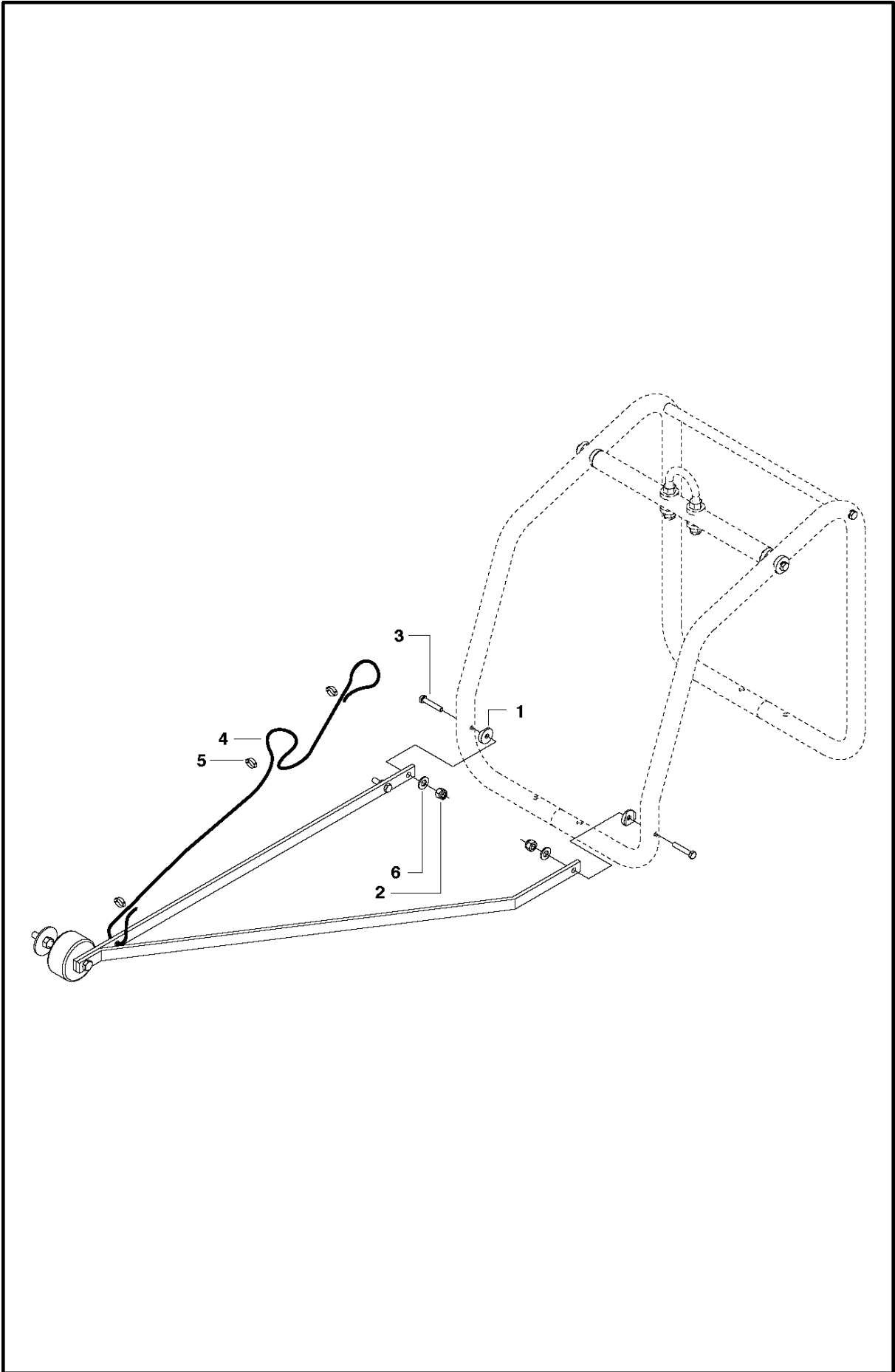
Ref	Part No	Description	Remark	QTY KIT
1	542 20 20-78	POINTER		1
2	731 23 18-01	HEXAGON NUT		1
3	725 24 55-71	SCREW EHHM		1
4	731 23 20-01	HEXAGON NUT		3
5	542 20 21-06	WASHER		1
6	542 20 21-31	BAR		1
7	542 20 21-30	BAR		1
8	725 25 15-71	SCREW EHHM		1
9	543 04 59-32	WHEEL		1
10	542 20 20-75	BUSHING		1



Ref	Part No	Description	Remark	QTY	KIT
1	542 20 23-60	BLADE GUARD	18"	1	
1	542 20 40-89	BLADE GUARD	20"	1	
2	542 20 23-62	BLADE GUARD	18"	1	1
2	542 20 41-44	BLADE GUARD	20"	1	1
3	724 13 29-51	SCREW CRPANM		8	1, 2
4	541 20 82-45	PLATE		2	1, 2
5	541 20 82-63	ELBOW		2	1, 2
6	541 20 82-49	TUBE		1	1, 2
7	725 23 31-71	SCREW EHHM		4	1, 2
8	725 24 47-71	SCREW EHHM		4	1, 2
9	541 20 82-46	COVER		1	1, 2
10	542 16 72-98	DECAL		2	
11	542 20 40-64	FLAP		1	1, 16
12	734 11 52-01	WASHER		2	1, 16
13	732 25 16-01	HEXAGON LOCKING NUT		2	1, 16
14	541 20 82-37	GUARD	18"	1	1, 16
14	542 20 40-96	GUIDE BAR	20"	1	1, 16
15	725 24 71-51	SCREW EHHM		1	1, 16
16	542 20 23-63	BLADE GUARD	18"	1	1, 16
16	542 20 41-45	BLADE GUARD	20"	1	1, 16
17	542 16 72-98	DECAL		1	
18	541 20 82-40	GUARD	18"	1	1, 16
18	542 20 40-97	GUIDE BAR	20"	1	1, 16
19	732 25 14-01	HEXAGON LOCKING NUT		5	1, 16
20	541 20 82-30	BEARING		2	1, 2
21	541 20 82-65	TUBE	18"	2	1, 2
21	542 20 41-01	TUBE	20"	1	1, 2
22	725 23 76-71	SCREW EHHM		2	1, 2
23	542 20 40-63	NOZZLE		2	1, 2
24	732 25 18-01	HEXAGON LOCKING NUT		1	1, 16
25	732 25 14-01	HEXAGON LOCKING NUT		4	1, 2
26	725 23 31-71	SCREW EHHM		5	1, 16



Ref	Part No	Description	Remark	QTY KIT
1	542 20 21-84	WASHER		2
2	542 17 21-37	ROPE. POINTER		1
3	732 25 18-01	HEXAGON LOCKING NUT		2
4	734 11 63-01	WASHER		2
5	725 24 63-51	SCREW EHHM		2
6	542 16 27-61	CLAMP		3

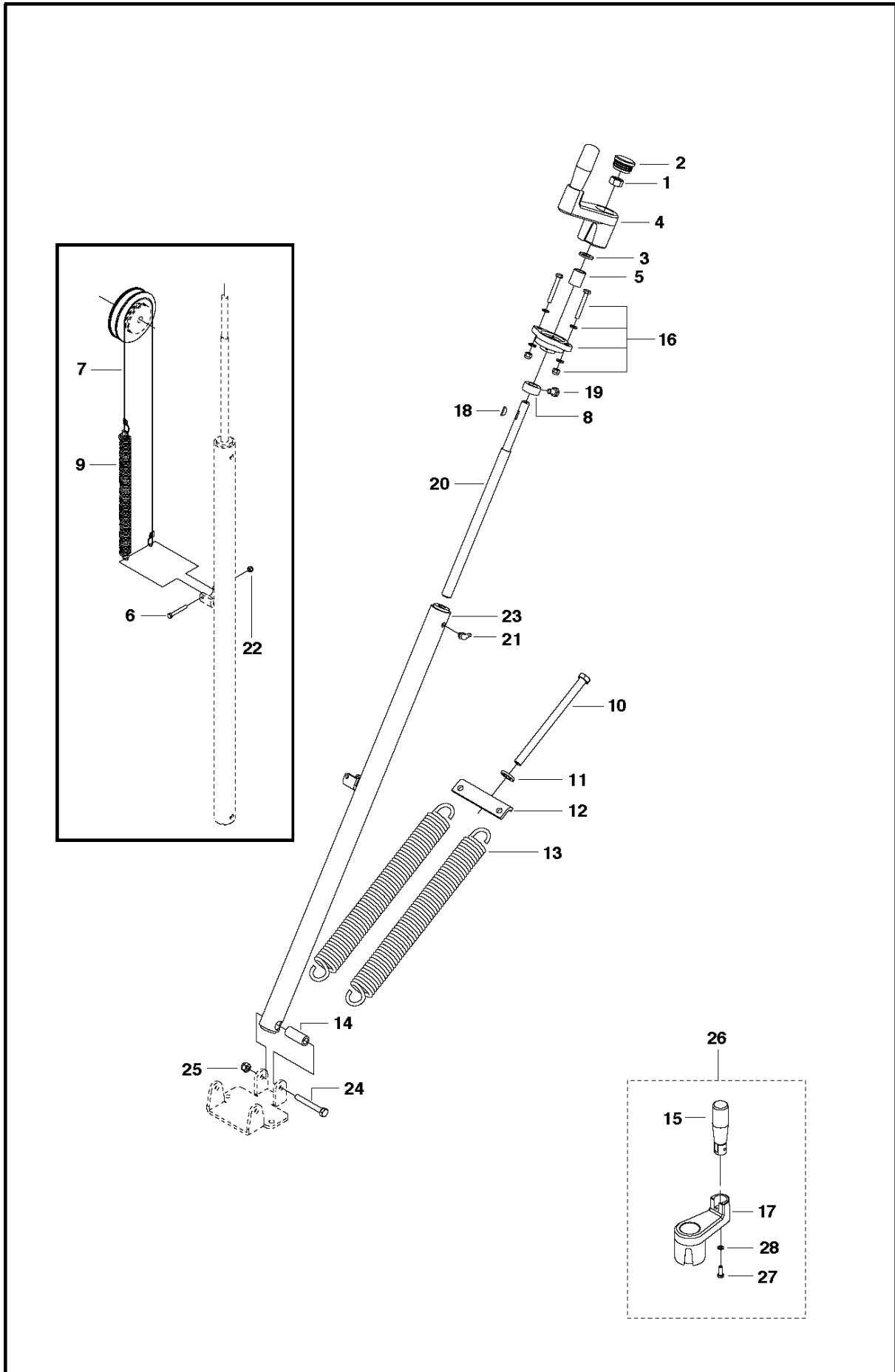




POINTER ATTACHMENT - SINGLE POINTER

FS413, 2006-11

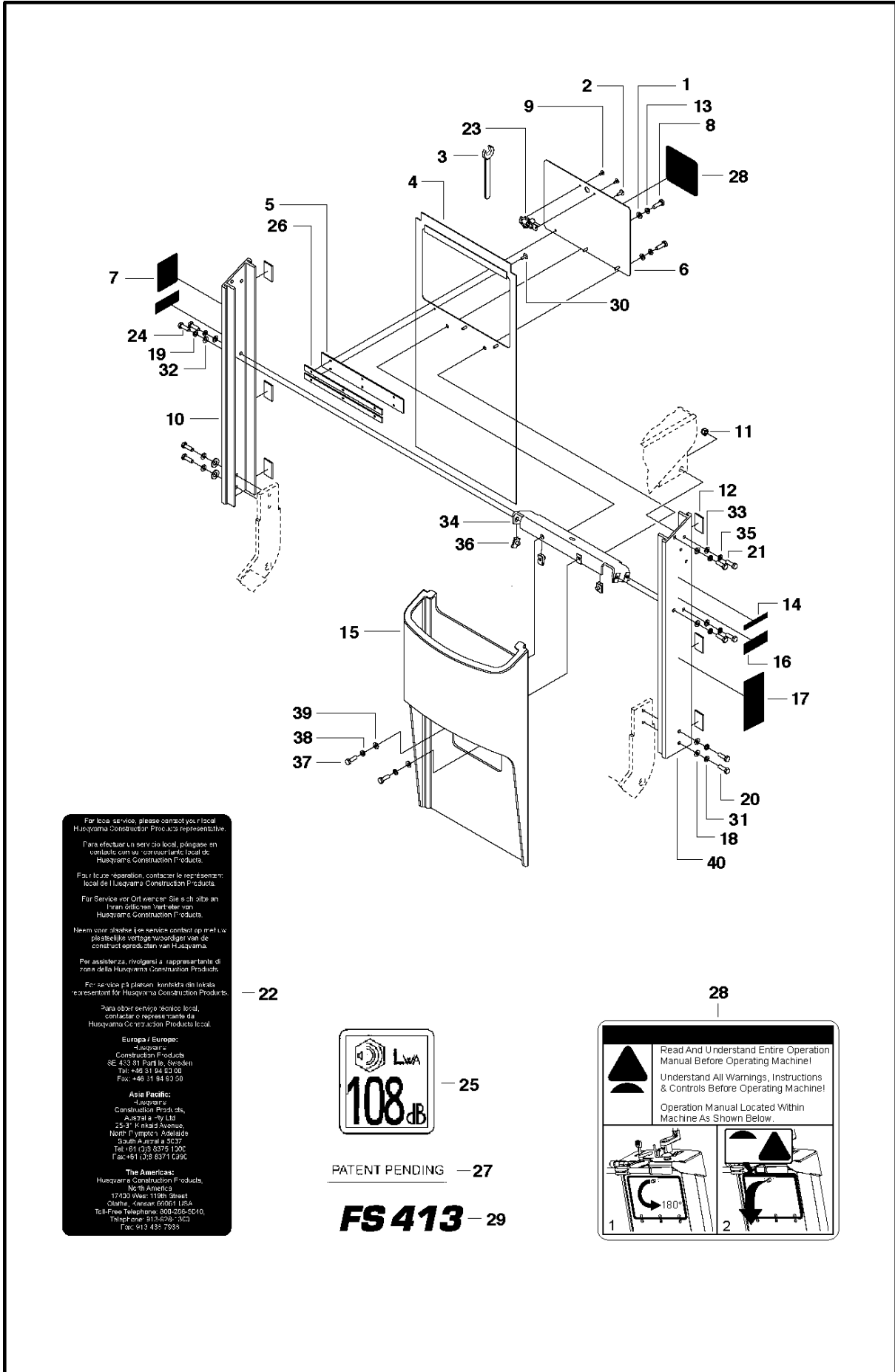
Ref	Part No	Description	Remark	QTY KIT
1	542 20 21-84	WASHER		2
2	732 25 18-01	HEXAGON LOCKING NUT		2
3	725 24 63-51	SCREW EHHM		2
4	542 17 21-37	ROPE. POINTER		1
5	542 16 27-61	CLAMP		3
6	734 11 63-01	WASHER		2



## SCREW FEED

FS413, 2006-11

Ref	Part No	Description	Remark	QTY	KIT
1	539 99 02-58	NUT		1	
2	543 04 60-31	PLUG		1	
3	734 11 78-01	WASHER		1	
4	541 20 71-61	HANDLE		1	
5	542 20 21-16	SPACER		1	
6	725 23 79-51	SCREW EHHM		2	
7	542 20 21-13	CABLE ASSY		1	
8	542 20 23-38	COLLAR		1	
9	542 20 22-83	SPRING		1	
10	542 20 23-00	BOLT		1	
11	734 11 78-01	WASHER		1	
12	542 20 21-66	BRACKET		1	
13	542 20 21-65	SPRING		2	
14	542 20 23-79	BUSHING		1	
15	541 20 71-76	CRANK		1	26
16	585 57 50-01	BEARING KIT		4	
17	504 20 75-01	HANDLE		1	26
18	539 30 00-92	WOODRUFF KEY		1	
19	725 24 47-71	SCREW EHHM		1	
20	542 17 79-15	SCREW		1	
21	542 20 22-16	GREASE		1	
22	732 25 16-01	HEXAGON LOCKING NUT		1	
23	542 20 23-67	NUT		1	
24	725 25 03-51	SCREW EHHM		1	
25	732 25 20-01	HEXAGON LOCKING NUT		1	
26	541 20 71-61	HANDLE		1	
27	725 23 70-71	SCREW EHHM		1	26
28	734 11 52-01	WASHER		1	26



For local service, please contact your local Husqvarna Construction Products representative.

Para efectuar un serv. de local, póngase en contacto con su representante local de Husqvarna Construction Products.

For local repair, contact the representative local de Husqvarna Construction Products.

For Service vor Ort wempen Sie sich bitte an Ihren örtlichen Vertretter von Husqvarna Construction Products.

Neem voor plaatselijke service contact op met uw plaatselijke vertegenwoordiger van de constructieproducten van Husqvarna.

Per assistenza, rivolgersi al rappresentante di zona della Husqvarna Construction Products.

For service på platsen, kontakta din lokala representant för Husqvarna Construction Products.

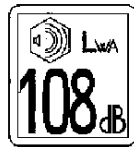
Para obter serviço técnico local, contatar o representante da Husqvarna Construction Products local.

**Europa / Europe:**  
 Husqvarna Construction Products  
 SE-433 81 Partur, Sweden  
 Tel: +46 31 84 60 00  
 Fax: +46 31 84 60 50

**Asia Pacific:**  
 Husqvarna Construction Products, Inc.  
 25-31 Kinnaird Avenue,  
 North Point, Singapore 081450  
 South Africa: 5617  
 Tel: +61 (0)3 9379 1100  
 Fax: +61 (0)3 9371 1596

**The Americas:**  
 Husqvarna Construction Products,  
 North America  
 17420 West 119th Street  
 Omaha, Nebraska 68151 USA  
 Toll-Free Telephone: 800-226-5C10  
 Telephone: 415-623-4500  
 Fax: 415-623-7233

—22



—25

PATENT PENDING —27

**FS 413** —29

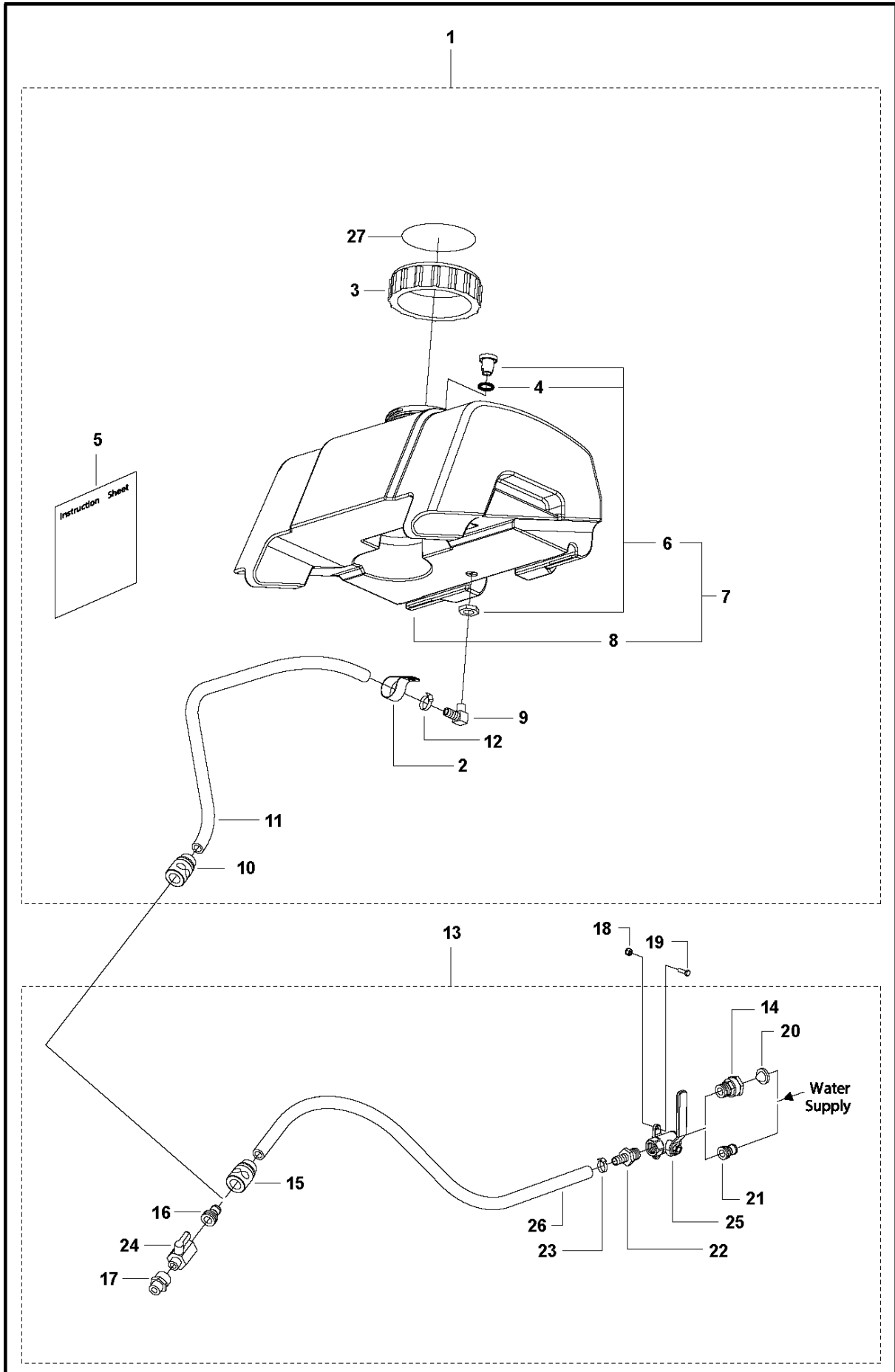
28

	<p>Read And Understand Entire Operation Manual Before Operating Machine!</p> <p>Understand All Warnings, Instructions &amp; Controls Before Operating Machine!</p> <p>Operation Manual Located Within Machine As Shown Below.</p>

## TOOLBOX

FS413, 2006-11

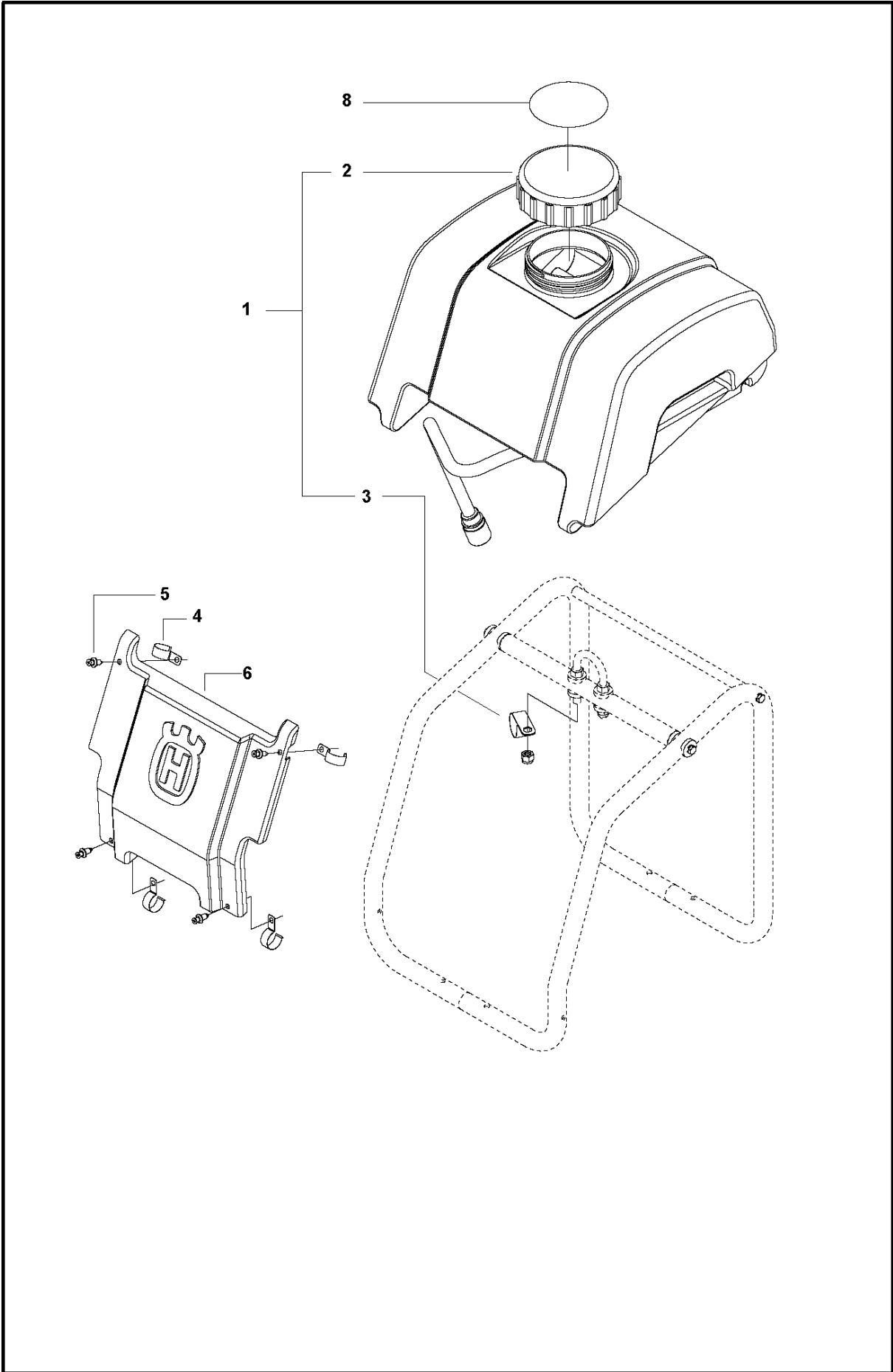
Ref	Part No	Description	Remark	QTY KIT
1	734 11 63-01	WASHER		2
2	722 79 44-02	RIVET		3
3	543 04 58-91	WRENCH		1
4	542 20 23-51	COVER		1
5	541 20 82-78	HINGE		1
6	542 20 23-50	BOX		1
7	543 04 57-88	DECAL		1
8	725 24 55-71	SCREW EHHM		4
9	722 78 18-03	RIVET		2
10	542 20 23-48	COVER		1
11	732 25 18-01	HEXAGON LOCKING NUT		4
12	542 20 23-07	PAD. RESILIENT		6
13	735 11 64-01	SPRING WASHER		2
14	542 16 12-35	DECAL		1
15	542 20 23-47	COVER		1
16	542 19 07-12	DECAL		2
17	542 19 06-46	DECAL		1
18	734 11 63-01	WASHER		2
19	735 11 64-01	SPRING WASHER		2
20	725 24 55-71	SCREW EHHM		2
21	725 24 57-71	SCREW EHHM		4
22	542 19 06-46	DECAL		1
23	541 20 82-81	LATCH		1
24	725 24 55-71	SCREW EHHM		2
25	543 04 57-88	DECAL		1
26	542 20 21-71	PLATE		2
27	542 16 12-35	DECAL		1
28	542 19 05-93	DECAL		1
29	542 19 07-12	DECAL		1
30	722 79 44-02	RIVET		3
31	735 11 64-01	SPRING WASHER		4
32	734 11 63-01	WASHER		4
33	734 11 63-01	WASHER		4
34	542 20 23-52	BRACKET		1
35	735 11 64-01	SPRING WASHER		4
36	542 20 20-99	NUT		8
37	725 24 57-71	SCREW EHHM		4
38	735 11 64-01	SPRING WASHER		4
39	734 11 63-01	WASHER		4
40	542 20 23-49	COVER		1



## WATER SYSTEM

FS413, 2006-11

Ref	Part No	Description	Remark	QTY	KIT
1	541 20 82-86	WATER TANK		1	
2	542 20 23-11	BRACKET		1	1
3	541 20 82-84	HUB CAP		1	1
4	588 45 10-01	O-RING		1	1, 6, 7
5	542 20 11-23	TANK		1	1
6	542 19 61-84	FITTING		1	1, 7
7	542 20 23-20	TANK		1	1
8	542 20 20-93	TANK		1	1, 7
9	543 85 01-31	FITTING		1	1
10	543 04 56-12	QUICK COUPLING		1	1
11	543 04 55-80	HOSE		1	1
12	543 85 03-44	CLIP		1	1
13	542 20 23-15	SIDE LAMINATE		1	
14	542 20 23-08	FITTING		1	13
15	543 04 56-12	QUICK COUPLING		1	13
16	543 04 56-10	ADAPTER		1	13
17	542 20 23-40	FITTING		1	13
18	732 25 12-01	HEXAGON LOCKING NUT		2	
19	725 22 95-71	SCREW EHHM		2	
20	542 04 56-40	WASHER		1	13
21	543 85 03-59	ADAPTER		1	13
22	542 20 23-21	FITTING		1	13
23	543 85 03-44	CLIP		1	13
24	543 04 55-39	TAP		1	13
25	542 13 95-37	VALVE. WATER. 1/2"		1	13
26	543 04 55-80	HOSE		1	13
27	599 71 52-01	DECAL		1	





## WATER TANK &amp; NOSE PIECE

FS413, 2006-11

Ref	Part No	Description	Remark	QTY	KIT
1	541 20 82-86	WATER TANK		1	
2	541 20 82-84	HUB CAP		1	1
3	542 20 23-11	BRACKET		4	1
4	542 20 21-28	CLIP		1	
5	542 16 66-24	BOLT		4	
6	542 20 41-49	COVER		1	
8	599 71 52-01	DECAL		1	