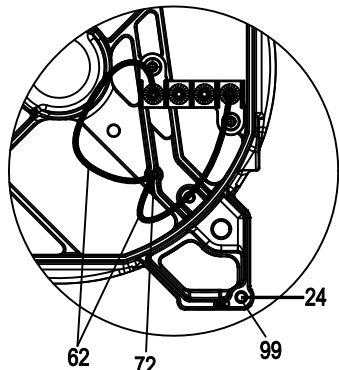
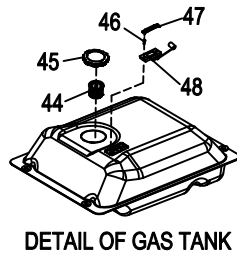
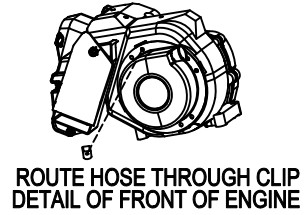
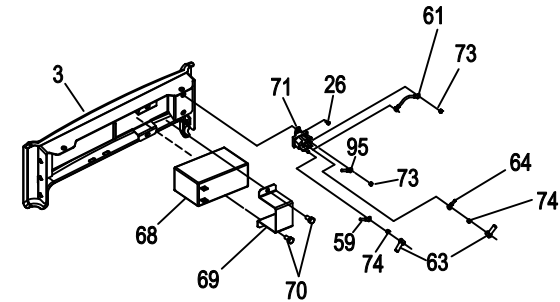
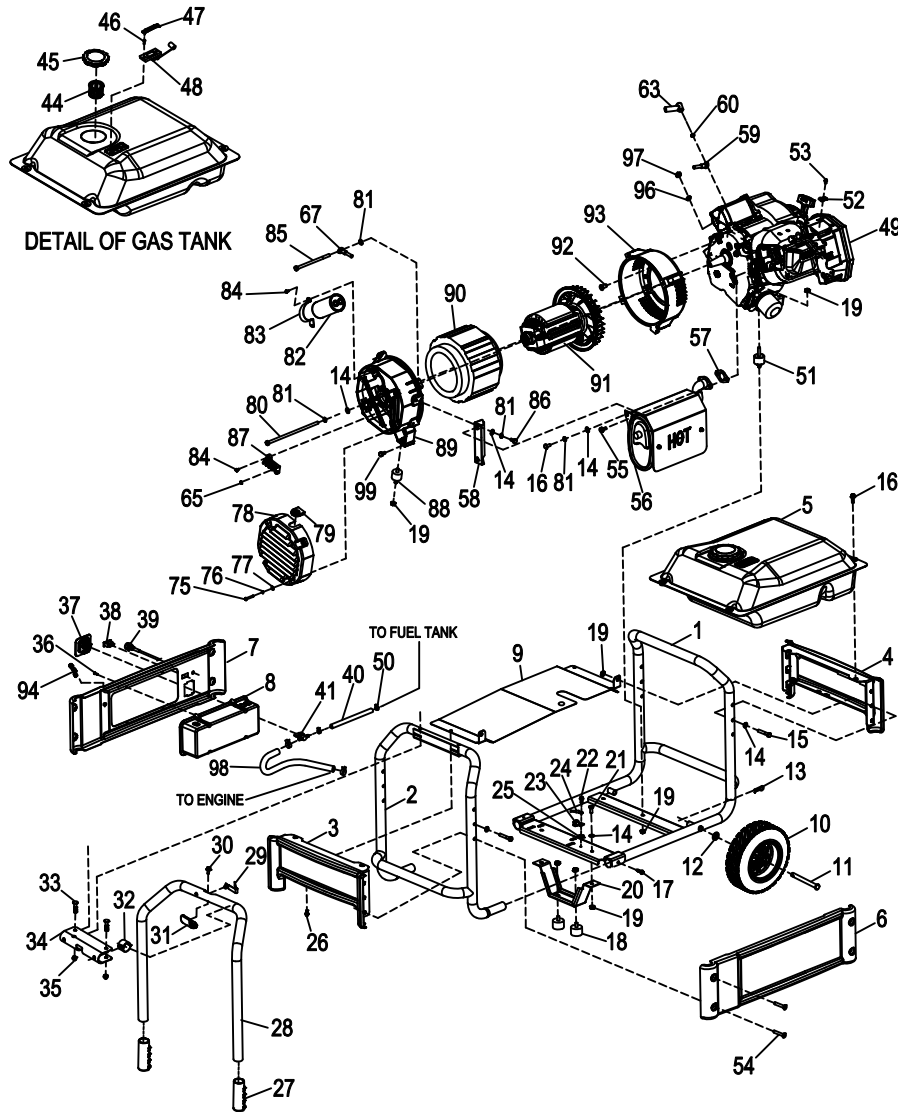
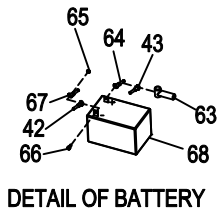


GROUP



JUMPER WIRE DETAIL
ON THE ITEM 89 BEARING CARRIER



DETAIL OF BACK PANEL

EXPLODED VIEW:
GENERATOR PARTS
DRAWING #: 0H3524

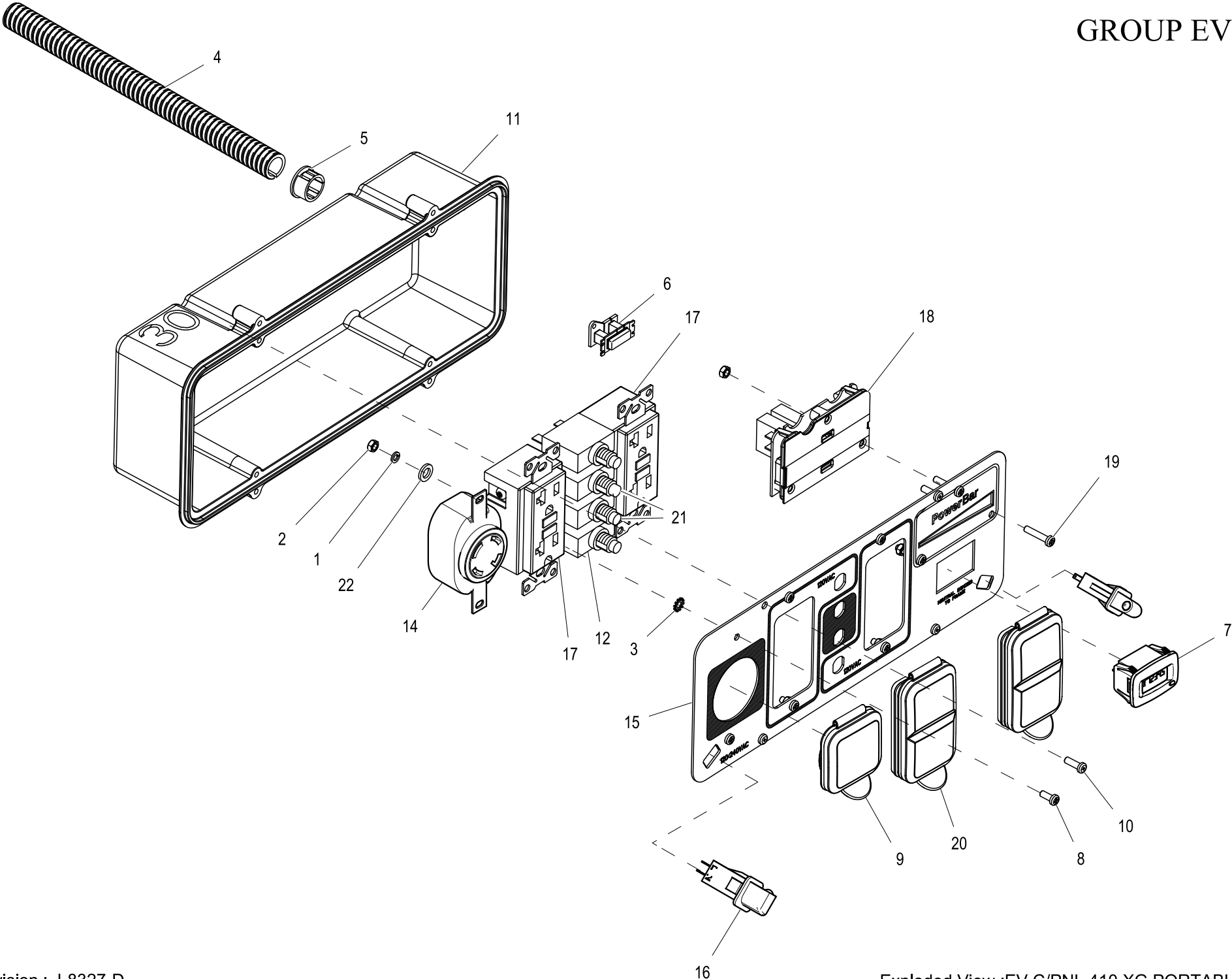
EXPLODED VIEW: GENERATOR PARTS

DRAWING #: 0H3524

APPLICABLE TO: 005747-0

GROUP

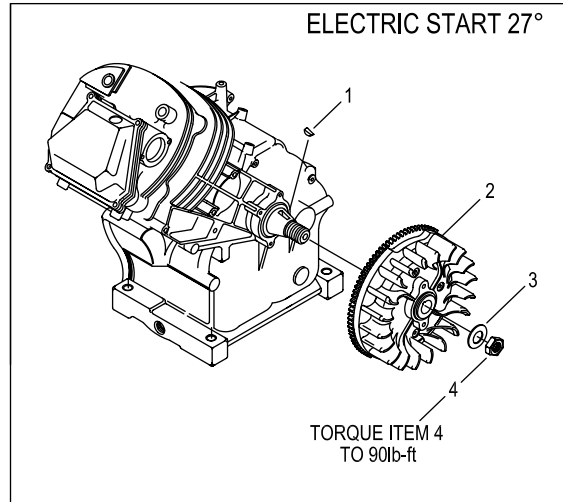
ITEM	PART #	QTY.	DESCRIPTION	ITEM	PART #	QTY.	DESCRIPTION
1	0H2385	1	FRAME BASE	62	0H47 68B	2	WIRE ASSY JUMPER
2	0H2391	1	FRAME BACK	63	0G 6392	4	BOOT
3	0H2392C	1	PANEL, ALT END	64	0742600189	1	WIRE, BATTERY TO SOL
4	0H2392A	1	PANEL, ENG END	65	0 H8535	6	NUT LOCK M5-0.8
5	0H2564	1	TANK FUEL	66	052618	2	SCREW HHC M5- 0.8 X 12
6	0H2394B	1	PANEL, SIDE	67	0742600193	1	WIRE, BATTERY TO ALT
7	0H2394A	1	PANEL, CPNL SIDE	68	0G 9449	1	BATTERY
8	0H2802E	1	30A XG RECEPTACLE PANEL	69	0 H2764	1	BATTERY HOLD DOWN
9	0H6371	1	HEAT SHIELD	70	092079	2	SCREW HHTT M6-1.0 X 25
10	0H4420	2	XG RALLY WHEEL	71	086729	1	STARTER CONTACTOR
11	0H1129	2	AXLE PIN	72	0G 3111	1	SCREW HHTT M6-1.0 X 25
12	08 7171	2	WASHER FLAT 1/2 SS	73	089338	2	NUT HEX LOCK #8-32
13	0H3443	2	COTTER HAIRPIN	74	027529	2	NUT HEX LOCK 1/4-20
14	02 2145	11	WASHER FLAT 5/16-M8	75	020911	4	SCREW PPHM M5-0.8 X 30
15	05 1731	4	SCREW HHC M8-1.25 X 50	76	022152	4	WASHER LOCK #10
16	0G5445	6	SCREW HHTT M8-1.2 X 20	77	023897	4	WASHER FLAT #10
17	0H5030	2	SCREW HHSO 1/2 X 7/8 EZ	78	0 G5002A	1	COVER, ALTERNATOR
18	0H3590	2	VIBE MOUNT	79	0G 5206	1	GROMMET, WIRE SLEEVE
19	06 7989	12	NUT HEX FL WHZ M8-1.25	80	075431	1	SCREW IHHC 5/16-24 X 8-1/2
20	0H0720	1	BOOT	81	022129	9	WASHER LOCK M8
21	03 9253	2	SCREW HHC M8-1.25 X 20	82	0G 5958	1	CAPACITOR
22	0G2018	1	SCREW HHSO 1/4-20 X 7/8	83	0G 5088	1	CAPACITOR CLAMP
23	05 5414	1	LUGS/DLSS #2-#8 X 17/64 CU	84	0F4795	5	SCREW PPHM M4-0.7 X 10
24	07 42 600186	1	WIRE ASSY GND ALT TO BASE	85	0G 5148	4	SCREW IHHC M8-1.25 X 140
25	0A1658	1	WASHER LOCK SPECIAL 1/4"	86	0 C3181	2	SCREW BHSC M8-1.25 X 20
26	09 0888	4	SCREW HHTT M6-1.0 X 12	87	0 H8935	1	TERMINAL BLOCK
27	0G8465	2	HANDLE GRIPS	88	085652	2	VIBRATION MOUNT
28	0H2616	1	TUBE, HANDLE	89	0 H1551	1	CARRIER, REAR BEARING
29	0G5442	1	SNAP BUTTON	90	0H2734C	1	STATOR (8KW)
30	0G0926	1	SCREW HHFCS M6-1 X 16	91	0 G5211C	1	ROTOR (8KW)
31	0H3854	1	HANDLE STOP	92	030205	4	SCREW FHSC 3/8-16 X 3/4
32	0H2205	2	BEARING, HANDLE	93	0G 2397	1	HOUSING, ENGINE ADAPTOR
33	0H0031	2	CHB CUSTOM 5/16 18 X 46	94	0H0 025	1	C CHARGE JACK
34	0H2206B	1	BRACKET, HANDLE	95	0H4 218	1	HARNES, ENGINE, GH 410 ES
35	0G8486	2	CAP NUT 5/16-18	96	0 22097	1	WASHER LOCK M6-1/4
36	0G8382	4	SCREW PPH #8-16 X 0.66	97	0 49813	1	NUT HEX M6 X 1.0
37	0H2142	1	FUEL, VALVE HOLDER	98	0H5 762	1	FUEL LINE, FORMED SHUTOFF VALVE TO ENGINE
38	0G9549	1	SWITCH, START-RUN-STOP	99	0 90388	1	SCREW, HHTT M6-1.0 X 16
39	0G9560A	1	CABLE, CHOKE				
40	0H3455E	1	FUEL HOSE, 160MM LONG				
41	0H3419	1	FUEL, VALVE				
42	07 42 600188	1	WIRE ASSEMBLY				
43	07 42 600192	1	WIRE ASSEMBLY				
44	0H1326	1	STRAINER, FUEL CAP				
45	0H1325A	1	FUEL CAP, CHROME				
46	0H1357	2	SCREW PPHM M5-0.8 X 12				
47	0H1359	1	PLATE, FUEL GAGE				
48	0H1345	1	FUEL GAGE, 153MM LONG ARM				
49	0H3509	1	XG8000E 410 ENGINE				
50	048031G	4	HOSE CLAMP				
51	0H2043	2	VIBE MOUNT				
52	0E4190	1	CLAMP, CABLE				
53	0F 557 9	1	SCREW SHOULDER M5-0.8 X 20				
54	0H3587	8	SCREW FHSC M8-1.25 X 55				
55	0G3730	2	SCREW SHC M8-1.25 X SEMS				
56	0H3034	1	MUFFLER, ASSY, 410				
57	09 0239	1	GASKET, EXHAUST				
58	0H2856	1	BRACKET, MUFFLER				
59	07 42 600191	1	WIRE, SOL TO STARTER				
60	0B2236	1	NUT HEX LOCK M6-1 NY INS				
61	0H0228C	1	WIRE, SOL TO SOL				



EXPLODED VIEW: EV C/PNL 410 XG PORTABLE 6.5KW**DRAWING #: 0H4099****GROUP EV**

ITEM	PART#	QTY.	DESCRIPTION
1	022264	6	WASHER LOCK #8-M4
2	051715	9	NUT HEX M4-0.7 G8 YEL CHR
3	026579	1	WASHER LOCKF EXT #8 STEEL
4	077043B	1	CONDUIT FLEX .50"ID
5	0A5489	1	SNAP BUSHING.75 OPEN
6	0D4804B	1	XFMR IDLE CURRENT
7	0H8214	1	HOUR METER W/ALERTS AC/DC
8	0G9060	2	SCREW PPHM M4-0.7 X 10 BZC
9	0G9391	1	COVER,30A 120/240V
10	0G8382	4	SCREW PPPH #8-16 X .66" BZC
11	0G9756	1	RECTANGLE PANEL STORM-GEN
12	0H0265C	2	CB 20A 1P 120V CUL/CSA JOEMEX
13	SEE TABLE 1	-	WIRE HARNESS (NOT SHOWN)
14	0H2929	1	OUTLET 30A 120/250V SPCGR
15	0H3343F	1	PANEL COVER, XG PORTABLE
16	0H6784	2	LED CONTROL PANEL SNAP-FIT XG
17	0D4966	2	OUTLET 20A 120V GFCI GF20BK
18	SEE TABLE 1	-	TRULOAD POWERBAR ASSY
19	0H3968	3	SCREW PPHM M4-0.7 X 20 BLK ZC
20	0G9392	2	COVER, 20A 120V GFCI/DUPLEX
21	0H0265E	2	CB 30A 1P 120V CUL/CSA JOEMEX
22	043180	6	WASHER FLAT M4

FLYWHEEL OPTION
ENGINE PRODUCTION LEVEL 10E



1	082774	1	KEY, WOODRUFF 4 x 19D
2	091222C	1	ASSY, FLYWHEEL W/RING GEAR 27 DEGREE
3	067198N	1	WASHER, BELV-20 X 2.2
4	067890	1	NUT, HEX – FLYWHEEL