

ALTERNATOR DETAIL

TO FUEL TANK

TO ENGINE

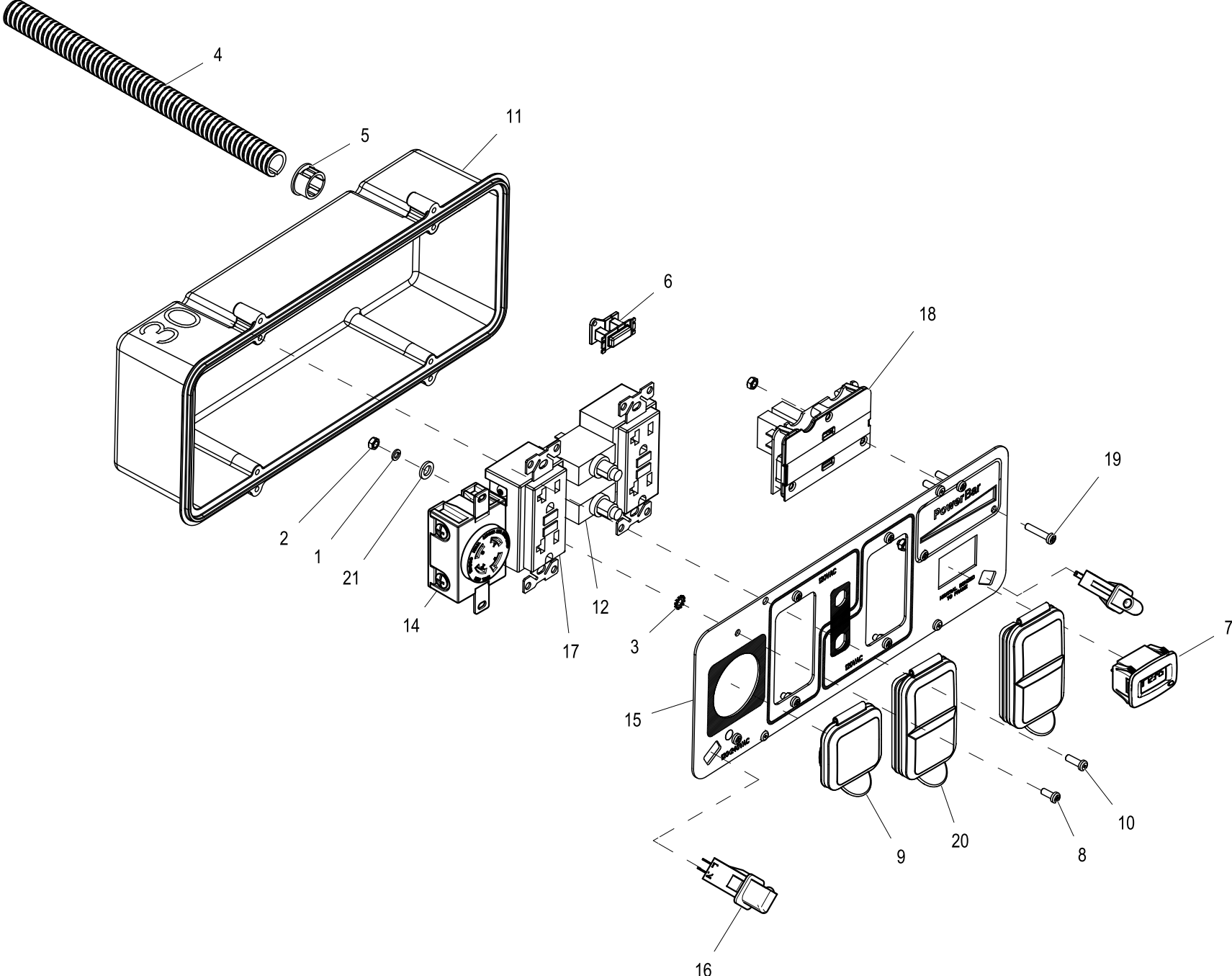
GAS TANK DETAIL

EXPLODED VIEW: GENERATOR PARTS
DRAWING #: 0H2016

GROUP

APPLICABLE TO: 005778-0

ITEM	PART #	QTY.	DESCRIPTION
1	0H4860	1	XG4000 ALTERNATOR W/JUMPER WIRES
2	0H2579	1	AVR, XG4000 ALTERNATOR
3	0H0919	1	BRUSH HOLDER
4	049815	3	SCREW HHC M5-0.8 X 16
5	051713	3	FLAT WASHER, M5
6	0H3049	1	END COVER
7	049226	2	LOCK WASHER, M5
8	052618	2	SCREW HHC M5-0.8 X 12
9	0H3439	1	XG4000 220 ENGINE
10	0H2698	1	BRACKET, MOUNTING, MUFLER, 220XG
11	0H2770	2	VIBE MOUNT
12	067989	16	NUT HEX FL WHIZ M8-1.25
13	0H3535	4	NUT FLG NYLN LOCK M5-0.8
14	022145	11	WASHER FLAT 5/16-M8
15	039414	2	SCREW HHC M8-1.25 X 35
16	0D4662	1	SCREW HHTR 5/16-18 X 3/4
17	022129	4	WASHER LOCK M8-5/16
18	030209	4	SCREW HHC 5/16-24 X 1-1/4
19	0742600186	1	WIRE ASSY GND ALT TO BASE
20	0A1658	1	WASHER LOCK SPECIAL 1/4
21	055414	1	LUG SLD SS #2-#8 X 17/64 CU
22	0G2018	1	SCREW HHSD 1/4-20 X 7/8
23	0H2771	2	VIBE MOUNT
24	0H4420	2	XG RALLYE WHEEL
25	0H1129	2	AXLE, PIN
26	0H3443	2	COTTER HAIRPIN
27	087171	2	WASHER FLAT 1/2 SS
28	0H3590	2	VIB MNT 38.1 X 30 X M8-1.25
29	039253	1	SCREW HHC M8-1.25 X 20
30	0H0720	1	FRAME, BENT, FOOT
31	0H2757	1	MUFLER, GN220, SIDE OUT, XG
32	0G3730	2	SCREW SHC M8-1.25 X 20
33	089476	1	GASKET, EXHAUST 1.6
34	0G0926	2	SCREW HHFCS M6-1 X 16
35	0H6370	1	HEAT SHIELD
36	090388	2	SCREW HHTT M6-1.0 X 12
37	0H2802D	1	XG 20A RECEPTACLE PANEL
38	0H3451	1	SWITCH ENGINE RUN-STOP
39	0G8382	4	SCREW PPH #8-16 X 0.66
40	0H2142	1	FUEL, VALVE HOLDER
41	0H2017	1	TANK, FUEL, 45 GAL
42	0H1357	2	SCREW, PFHM M5-0.8 X 12
43	0H3419	1	FUEL, VALVE
44	0H4768A	2	WIRE ASSY JUMPER
45	0H3455E	1	FUEL HOSE 160 MM
46	048031G	4	HOSE CLAMP
47	0G5445	4	SCREW HHTT M8-1.25 X 20
48	0H2176	1	FRAME, BASE, ASSY
49	0H2203	1	FRAME, END, ASSY, BACK
50	0H2161A	1	RAIL, PANEL
51	0H2161B	1	RAIL, PANEL
52	0H2187A	1	END, ASSY, RAIL
53	0H2187B	1	END, ASSY, RAIL
54	0H2206A	1	BRACKET, MOUNTING, HANDLE
55	0H2209	1	TUBE, HANDLE
56	0H3854	1	HANDLE STOP XG
57	0H2205	2	BEARING, HANDLE, XG
58	051731	4	SCREW HHC M8-1.25 X 50
59	0H3456	8	SCREW FHSC M8-1.25 X 50
60	0H5030	2	SCREW HHSD 1/4-2 X 7/8 BZ
61	0G0926	1	SCREW HHFCS M6-1 X 16
62	0G5442	1	SNAP BUTTON
63	0G8465	2	GRIP NUBBED 1-1/4 X 4-3/8
64	0G8486	2	CAP NUT 5/16-18
65	0H0031	2	CHB CUSTOM 5/16-18 X 46
66	0H1325A	1	FUEL CAP, CHROME
67	0H1326	1	FUEL FILTER
68	0H1345	1	FUEL GAGE, 153 MMLONG ARM
69	0H1359	1	PLATE, FUEL GAGE
70	051713	1	WASHER FLAT M5
71	049815	1	SCREW HHC M5-0.8 X 16
72	0H5762	1	FUEL LINE, FORMED VALVE TO ENG.



EXPLODED VIEW: EV C/PNL 220 XG PORTABLE**DRAWING #: 0H4098****GROUP EV**

ITEM	PART#	QTY.	DESCRIPTION
1	022264	6	WASHER LOCK #8-M4
2	051715	9	NUT HEX M4-0.7 G8 YEL CHR
3	026579	1	WASHER LOCK EXT #8 STEEL
4	077043B	1	CONDUIT FLEX .50"ID
5	0A5489	1	SNAP BUSHING.75 OPEN
6	0D4804B	1	XFMR IDLE CURRENT
7	0H8214	1	HOUR METER W/ALERTS AC/DC
8	0G9060	2	SCREW PPHM M4-0.7 X 10 BZC
9	0G9391	1	COVER,30A 120/240V
10	0G8382	4	SCREW PPPH #8-16 X .66" BZC
11	0G9756	1	RECPTACLE PANEL STORM-GEN
12	0H0265C	2	CB 20A 1P 120V CUL/CSA JOEMEX
13	0H3340	1	HARN C-PNL 4KW GP XG PS (NOT SHOWN)
14	0H3342	1	OUTLET 20A 120/250V SPCGR
15	0H3343C	1	PANEL COVER, XG PORTABLE
16	0H6784	2	LED CONTROL PANEL SNAP-FIT XG
17	0D4966	2	OUTLET 20A 120V GFCI GF20BK
18	0H6566	1	ASSY,TRUELOAD POWERBAR XG4
19	0H3968	3	SCREW PPHM M4-0.7 X 20 BLK ZC
20	0G9392	2	COVER, 20A 120V GFCI/DUPLEX
21	043180	6	WASHER FLAT M4