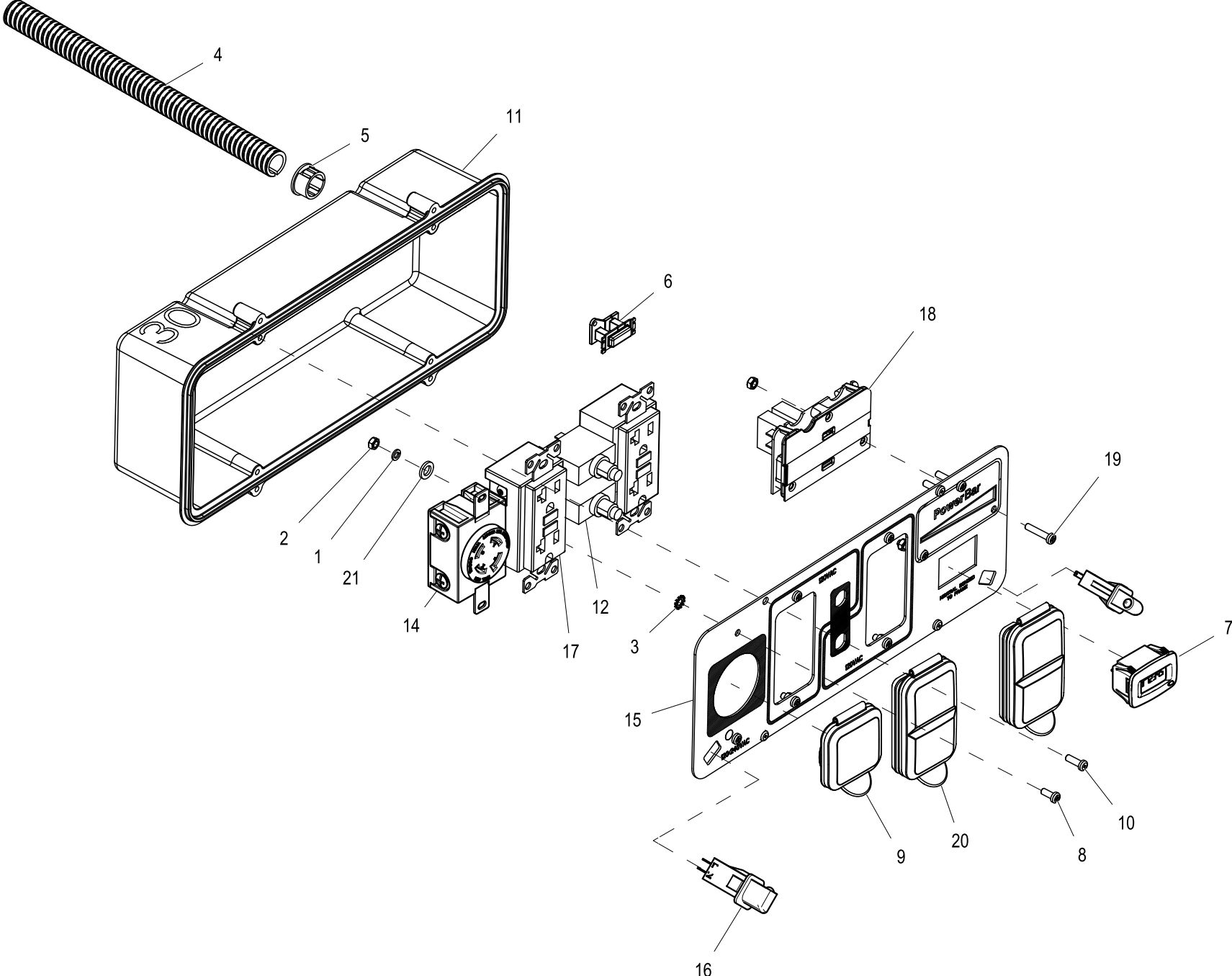


GROUP EV

ITEM	PART	QTY.	DESCRIPTION	ITEM	PART	QTY.	DESCRIPTION
1	0H4860	1	XG4000 ALT W/JUMPER WIRES	41	0H2017A	1	ASSY,FUEL TANK 4.5 GAL XG CARB
2	0H2579	1	AVR, 4000 VN ALTERNATOR	42	0H1357	2	SCREW PFHM M5-0.8 X 12
3	0H0919	1	ASSEMBLY,BRUSH VISION	43	0H3419	1	VALVE,FUEL SHUTOFF
4	049815	4	SCREW HHC M5-0.8 X 16 G8.8	44	0H4768A	2	JUMPER WIRE ASSEMBLY, 5.00"
5	051713	4	WASHER FLAT M5	45	0H3455E	1	FUEL HOSE, 160 MM LONG
6	0H3049	1	COVER ALTERNATOR INLET 5-7KW	46	048031G	4	CLAMP HOSE BAND .41
7	049226	2	WASHER LOCK M5	47	0G5445	4	SCREW HHTT M8-1.25 X 20
8	052618	2	SCREW HHC M5-0.8 X 12 C8.8	48	0J4680	1	FRAME,BASE,ASSY,GX4000
9	0J7407	1	ENGINE GH220 XG4000 2012	49	0J4681	1	FRAME,END,ASSY,XG4000
10	0H2698	1	BRACKET,MOUNTING,MUFFLER,220XG	50	0H2161A	1	PANEL,SIDE,RIGHT
11	0H2770	2	VIB MOUNT 15 X 15 X M8-1.25	51	0H2161B	1	PANEL,SIDE,LEFT
12	067989	14	NUT HEX FL WHIZ M8-1.25	52	0H2187A	1	ASSY,PANEL END FRONT
13	0H3535	4	NUT FLANGE M5-0.8 NYLOCK	53	0H2187B	1	ASSY, PANEL END BACK
14	022145	11	WASHER FLAT 5/16-M8 ZINC	54	0H9529A	1	BRACKET,MOUNTING HANDLE
15	039414	2	SCREW HHC M8-1.25 X 35 C8.8	55	0J1208A	1	ASSY,HANDLE,XG
16	0D4662	1	SCREW HHTR 5/16-18 X 3/4"	56	-----	--	-----
17	022129	4	WASHER LOCK M8-5/16	57	0H2205	2	BEARING,HANDLE,XG
18	030209	4	SCREW HHC 5/16-24 X 1-1/4 G5	58	051731	4	SCREW HHC M8-1.25 X 50 C8.8
19	0742600186	1	GROUND WIRE BRG CAR-LUG 4KW	59	0H6059	8	SCREW FHSC M8-1.25 X 60 BZC
20	0A1658	1	WASHER LOCK SPECIAL 1/4"	60	0H5030	2	SCREW HHSD 1/4-14 X 7/8 BZ
21	055414	1	LUG SLDLSS #2-#8 X 17/64 CU	61	-----	--	-----
22	0G2018	1	SCREW HHSD 1/4-14 X 7/8	62	0G8465	2	GRIP NUBBED 1-1/4"X4-3/8"
23	0H2771	1	VIB MOUNT 15 X 30 X M8-1.25	63	0G8486	2	CAP NUT 5/16-18 ZBC
24	0H4420	1	WHEEL,9.5",1/2" AXLE,XG RALLYE	64	0H6887	2	BOLT CARR 5/16-18X2 BLCK ZINC
25	0H1129	2	AXLE, PIN, 1/2 IN, XG	65	0H0958	1	ASSY GAS CAP SEALED - CHROME
26	0H3443	2	COTTER HAIRPIN 2.56 X .80	66	0H1326	1	FILTER, FUEL
27	087171	2	WASHER FLAT 1/2 SS	67	0H1345E	1	FUEL GAGE, 140 MM LONG ARM
28	0H3590	2	VIB MNT 38.4 X 30.5 X M8-1.25	68	0H1359	1	PLATE, FUEL GAGE
29	039253	1	SCREW HHC M8-1.25 X 20 C8.8	69	051713	1	WASHER FLAT M5
30	0H0720	1	BRACKET, BENT, FOOT, GX	70	049815	1	SCREW HHC M5-0.8 X 16 G8.8
31	0H2757	1	MUFFLER,GH220,SIDE OUT,XG	71	0H5762	1	FUEL LINE FORMED VLV TO ENG XG
32	0G3730	2	SCREW SHC M8-1.25 X 20 SEMS	72	0H5307	8	SPACER, SELF LOCATING
33	089476	1	GASKET, EXHAUST 1.6MM	73	0H9525	2	BEARING EXTERNAL HANDLE XG
34	0G0926	2	SCREW HHFCS M6-1 X 16 G8.8	74	0H1411	5	RUBBER MOUNT, 10.8 ID X 9 TALL
35	0H6370	1	HEAT SHIELD,XG4	75	0H1610	4	INSERT, ANTI-CRUSH FOR TANKS
36	090388	2	SCREW HHTT M6-1.0 X 12 ZINC	76	0H2018	1	WELDMENT,TANK,FUEL,4.5GAL XG
37	0H2802D	1	ASSY CTRL PNL XG4000	77	023484D	1	BUSHING SNAP SB-875-11
38	0H3451	1	SWITCH DPST ON-OFF BLACK	78	0H3631	1	GROMMET, ROLLOVER VALVE
39	0G8382	4	SCREW PPPH #8-16 X .66" BZC	79	0H3630	1	ROLLOVER VALVE
40	0H2142	1	VALVE HOLDER,FUEL SHUTOFF	80	0H1207L	1	HOSE 8MM OD X 4MM ID X 45"LONG



EXPLODED VIEW: EV C/PNL 220 XG PORTABLE**DRAWING #: 0H4098****GROUP EV**

ITEM	PART#	QTY.	DESCRIPTION
1	022264	6	WASHER LOCK #8-M4
2	051715	9	NUT HEX M4-0.7 G8 YEL CHR
3	026579	1	WASHER LOCK EXT #8 STEEL
4	077043B	1	CONDUIT FLEX .50"ID
5	0A5489	1	SNAP BUSHING.75 OPEN
6	0D4804B	1	XFMR IDLE CURRENT
7	0H8214	1	HOUR METER W/ALERTS AC/DC
8	0G9060	2	SCREW PPHM M4-0.7 X 10 BZC
9	0G9391	1	COVER,30A 120/240V
10	0G8382	4	SCREW PPPH #8-16 X .66" BZC
11	0G9756	1	RECPTACLE PANEL STORM-GEN
12	0H0265C	2	CB 20A 1P 120V CUL/CSA JOEMEX
13	0H3340	1	HARN C-PNL 4KW GP XG PS (NOT SHOWN)
14	0H3342	1	OUTLET 20A 120/250V SPCGR
15	0H3343C	1	PANEL COVER, XG PORTABLE
16	0H6784	2	LED CONTROL PANEL SNAP-FIT XG
17	0D4966	2	OUTLET 20A 120V GFCI GF20BK
18	0H6566	1	ASSY,TRUELOAD POWERBAR XG4
19	0H3968	3	SCREW PPHM M4-0.7 X 20 BLK ZC
20	0G9392	2	COVER, 20A 120V GFCI/DUPLEX
21	043180	6	WASHER FLAT M4