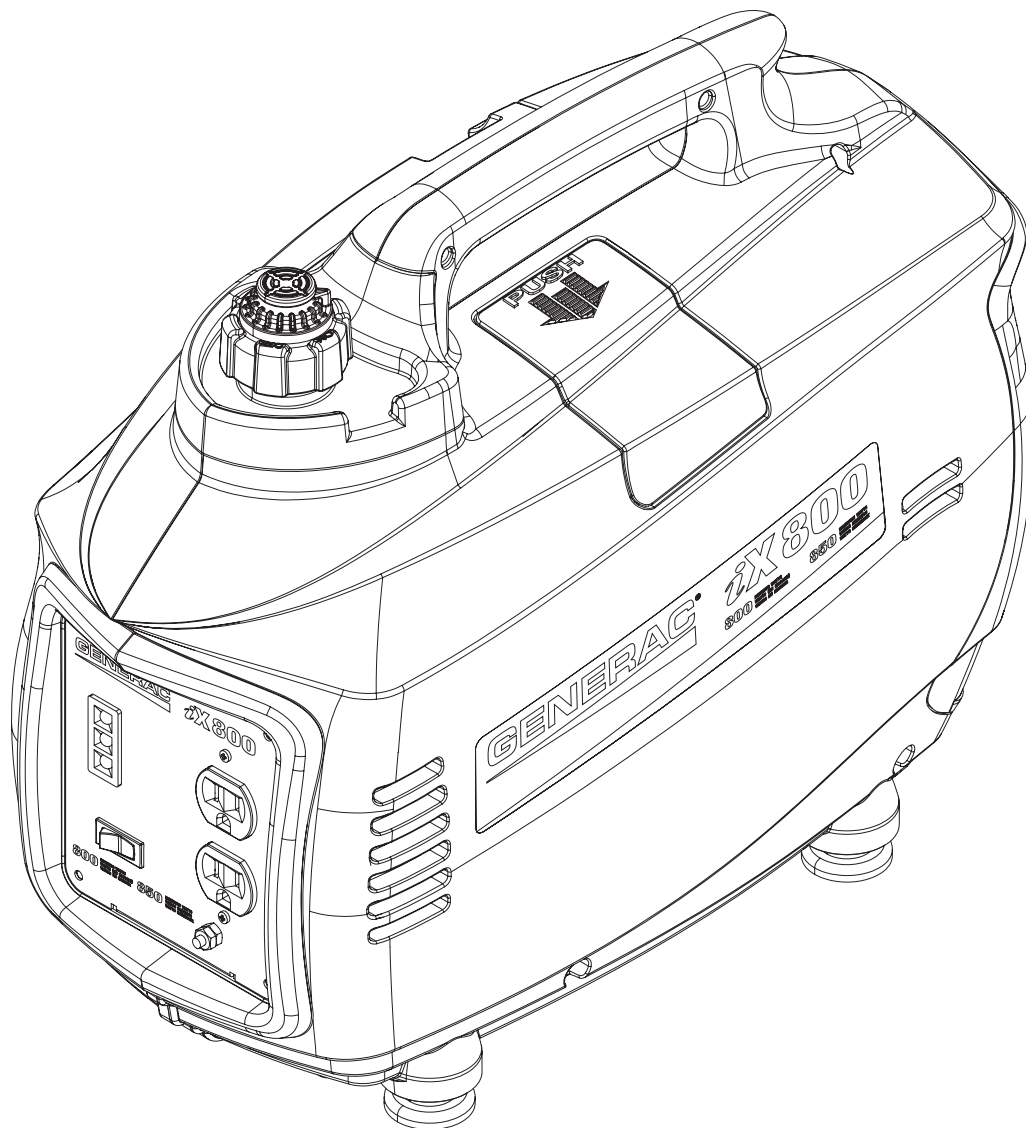


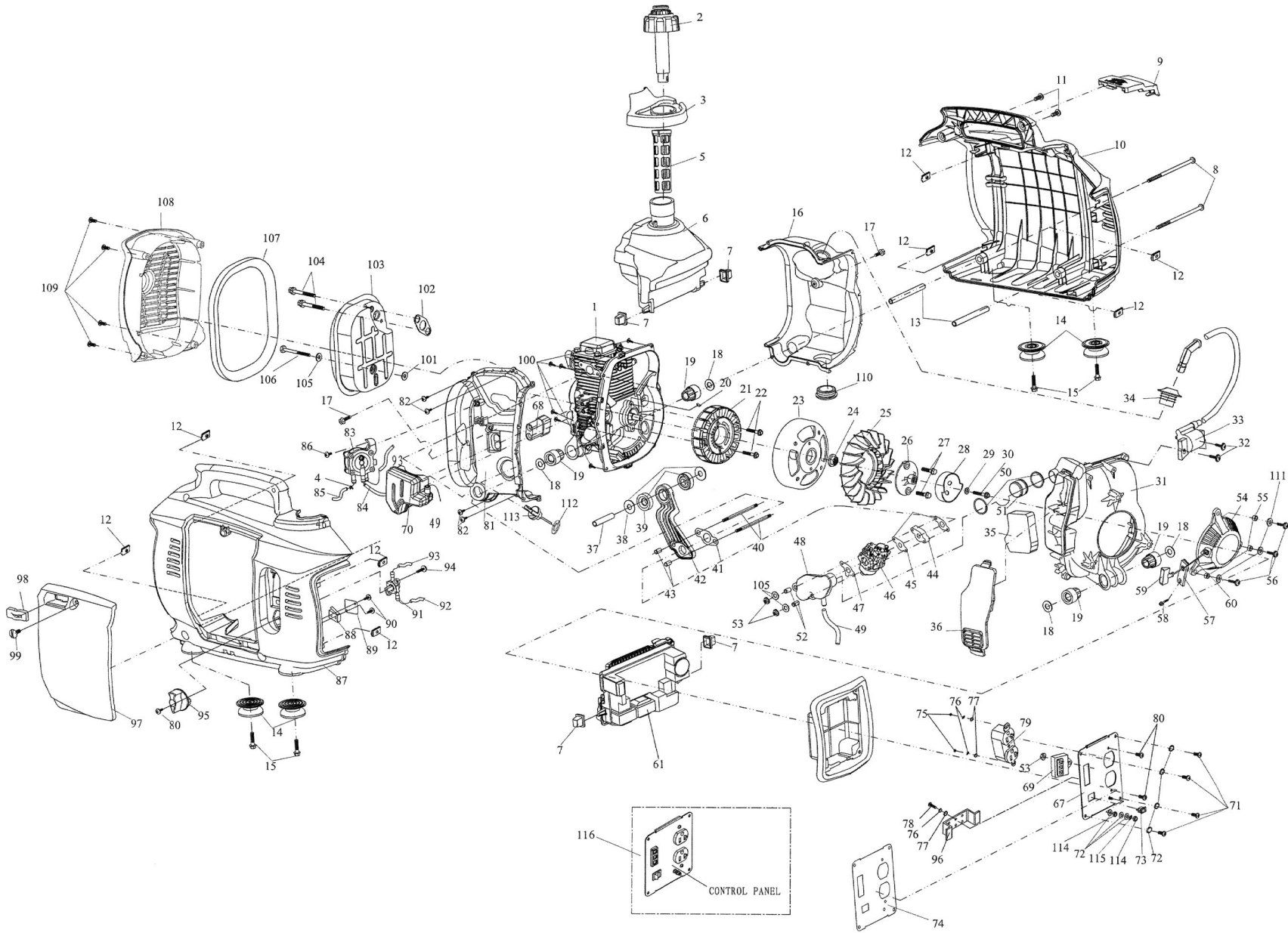
# iX 800

## Digital Inverter Generator Parts Manual

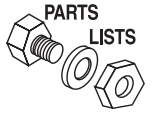
MODEL: 005791



**GENERAC**<sup>®</sup>



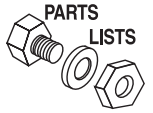
# iX800 Model 005791



ITEM	PART NO.	DESCRIPTION	QTY.
1	0H5681	ENGINE ASSY.	1
2	0H63620110	SUPERCHARGED CAP ASSY, FUEL TANK	1
3	0H56810110	FUEL FILLER INLET RUBBER RING	1
4	0H43470198	CLAMP, FUEL HOSE	8
5	0H43470112	CUP, FUEL FILTER	1
6	0H56810111	TANK, FUEL	1
7	0H43470114	SHOCK ABSORBER BLOCK	4
8	0H63620150	SCREW, CROSS RECESSED PAN HEAD, M6X120	2
9	0H56810112	COVER, UPPER SHELL	1
10	0H56810113	SHELL, UPPER	1
11	0H43470168	SCREW, CROSS RECESSED PAN HEAD, M6X14	2
12	0H43470117	LOCK SLICE/SCREW CLIP	8
13	0H63620117	ALIGNMENT PIN	2
14	0H43470118	FEET, VIBRATION MOUNTS	4
15	0H43470121	BOLT, HEX, FLANGE FACE (M6X12)	4
16	0H56810114	LOWER CASING, ENGINE	1
17	0H43470142	BOLT, HEX, FLANGE FACE (M5X16)	2
18	0H43470123	WASHER	4
19	0H43470124	SLEEVE, DAMPING/VIBRATION MOUNTS	4
20	0H43470125	KEY, WOODRUFF--3X5X13	1
21	0H56810115	STATOR ASSY.	1
22	0H56810116	BOLT, HEX, FLANGE FACE (M5X25)	2
23	0H56810117	FLYWHEEL ROTOR ASSY.	1
24	0H63620124	NUT, HEX FLANGE FACE(M10x1.25-8)	1
25	0H56810118	FAN	1
26	0H56810119	SEAT, STARTING JAW	1
27	0H43470132	BOLT, HEX , FLANGE FACE(M6X14)	2
28	0H56810120	JAW, STARTING	1
29	0H43470213	WASHER (6)	1
30	0H56810121	BOLT, HEX, FLANGE FACE(M6X18)	1
31	0H56810122	COWLING & INLET COVER ASSY.	1
32	0H56810123	SCREW, CROSS RECESSED PAN HEAD TAPPING	2

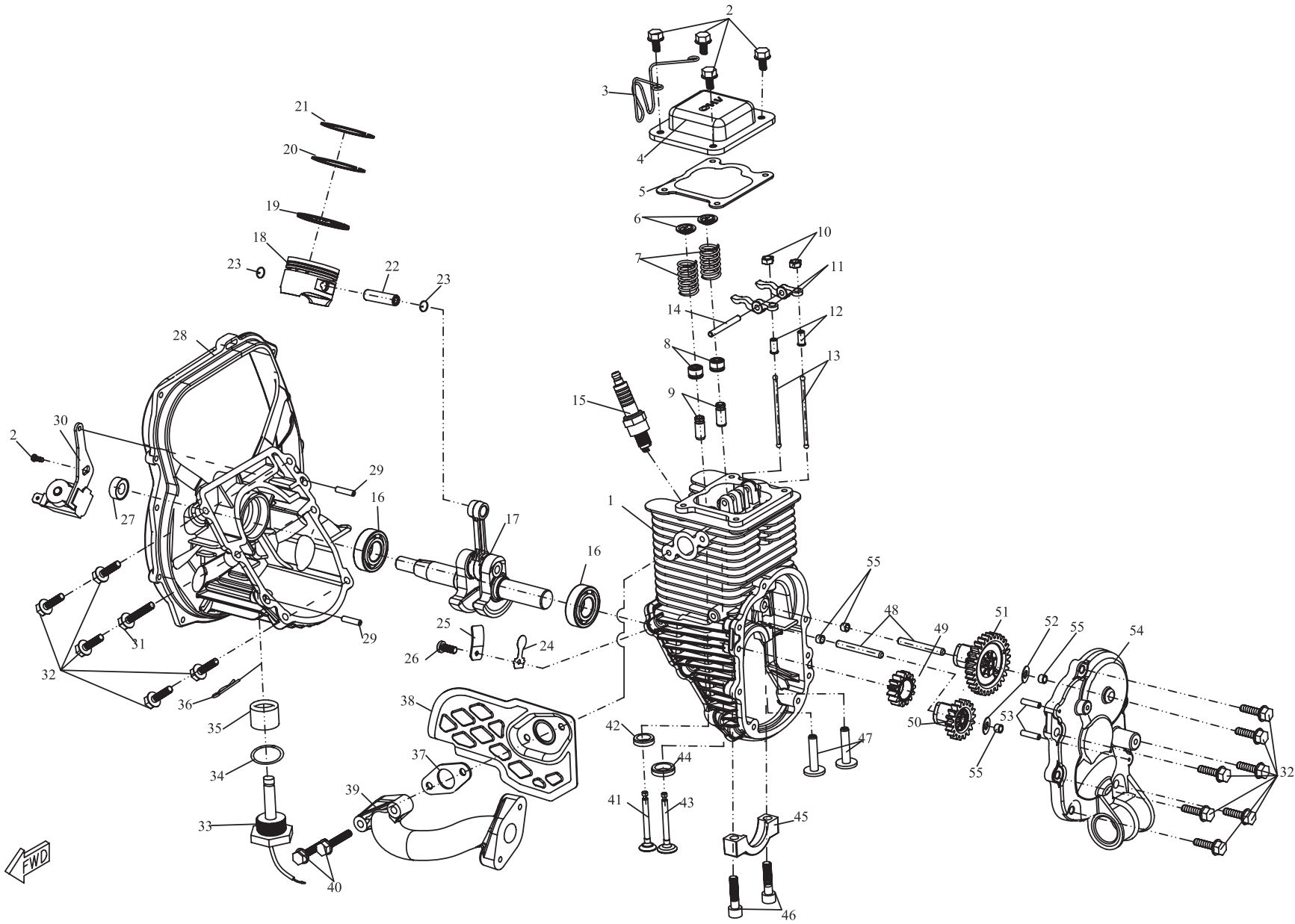
ITEM	PART NO.	DESCRIPTION	QTY.
33	0H56810124	COIL, IGNITION	1
34	0H56810125	SLEEVE, RUBBER (HIGH VOLTAGE)	1
35	0H56810126	SPONGE, AIR FILTER	2
36	0H56810127	COVER, AIR FILTER	1
37	0H56810128	ALIGNMENT PIN	1
38	0H56810129	WASHER	2
39	0H56810130	DAMPING RING, POTHOOK	2
40	0H56810131	STUD BOLT	2
41	0H56810132	GASKET, POTHOOK	1
42	0H56810133	POTHOOK	1
43	0H56810134	PIN, HOLLOW FIXED POSITION	2
44	0H56810135	BLOCK, CARBURETOR CUSHION	1
45	0H56810136	SEAL GASKET, CARBURETOR (IN)	2
46	0H56810137	CARBURETOR REGULATING ASSY.	1
47	0H63620141	SEAL GASKET, CARBURETOR(IN)	1
48	0H56810138	FILTER ADAPTER BOX(BREATHER)	1
49	0H56810139	TUBE, BREATHER	1
50	0H43470151	CIRCLIP, ADAPTER	2
51	0H43470152	SLEEVE, FILTER ADAPTER	1
52	0H56810140	ALIGNMENT PIN, ADAPTER BOX	2
53	0H63620142	NUT, HEX FLANGE FACE	3
54	0H56810141	STARTER ASSY.	1
55	0H56810142	SAFEGUARD TUBE	3
56	0H56810143	REC.PAN HEAD SCREW/WASHER ASSY.(M5X12)	3
57	0H43470155	HANDLE PANEL	1
58	0H43470200	RECESSED HEAD BOLT & WASHER ASSY.	1
59	0H43470153	HANDLE, RECOIL ASSY	1ea
59a	0H56810144	STARTER HANDLE HOOD	1ea
60	0H43470154	CORD, RECOIL ASSY	1
61	0H56810145	INVERTER	1
62			
63			
64			
65			

# iX800 Model 005791



ITEM	PART NO.	DESCRIPTION	QTY.
66	0H56810146	FRAME, FRONT PANEL	1
67	0H56810147	PANEL, IC	1
68	0H63620162	ADAPTER SLEEVE, RESPIRATOR	1
69	0H56810175	IGNITER (WITH INDICATOR)	1
70	0H56810148	BACKOIL ASSY. RESPIRATOR	1
71	0H56810149	SCREW, CROSS RECESSED PAN HEAD (M5X12)	4
72	0H43470161	WASHER, FLAT(5)	7
73	0H43470215	SWITCH, FLEXPPOWER	1
74	0H56810150	IC SCREEN	1
75	0H63620175	NUT, I TYPE HEX.(M4)	2
76	0H43470208	WASHER, FLAT, M4	8
77	0H43470207	WASHER, LOCK, M4	8
78	0H56810151	SCREW, CROSSED RECESSED PAN HEAD	6
79	0H63620174	OUTLET ASSY 120V	1
80	0H43470214	SCREW, M4X12	3
81	0H56810152	CASING, ENGINE UPPER	1
82	0H56810153	SCREW, TAPPING,CROSS, RECS D,P/ HEAD(ST4.2X13)	4
83	0H43470184	PUMP ASSY. FUEL	1
84	0H56840154	GASPIPE, FUEL PUMP	1
85	0H56810155	OUTLET PIPE, FUEL PUMP	1
86	0H43470185	SCREW, PHILIPS, ST4.8X19	1
87	0H56810156	SHELL, LOWER	1
88	0H43470170	SWITCH, IGNITION ON/OFF	1
89	0H43470171	COVER, SWITCH	1
90	0H56810157	SCREW,TAP/CRS/RECS D(ST4.8X19)	2

ITEM	PART NO.	DESCRIPTION	QTY.
91	0H43470173	SWITCH/VALVE. FUEL	1
92	0H56810158	PIPE, OUTLET	1
93	0H56810159	PIPE, INLET, FUEL PUMP	1
94	0H56810160	SCREW, TAP,CRS,RECD(ST6.3X16)	1
95	0H43470167	KNOB, ON/OFF FUEL SWITCH	1
96	0H63620177	CONNECTION-PEG, GROUNDED	1
97	0H56810161	COVER, LOWER SHELL	1
98	0H43470163	SEAL, LOWER SHELL COVER	1
99	0H63620151	SCREW(M6X14)	1
100	0H56810162	SCREW, TAP/CRS/REC/(ST4.2X16)	6
101	0H56810163	WASHER, FLAT	1
102	0H56810164	SHIM, MUFFLER	1
103	0H56810165	MUFFLER ASSY.	1
104	0H56810166	BOLT, HEX, FLANGE FACE(M6X50)	2
105	0H43470197	WASHER, FLAT	3
106	0H56810167	BOLT, HEX (M5X70)	1
107	0H56810168	GASKET, RUBBER, BACK WINDOW	1
108	0H56810169	WINDOW, BACK	1
109	0H63620168	SCREW, PH RECESSED M5X20	4
110	0H56810170	SEAL COVER, OIL SENSOR	1
111	0H56810171	GASKET, SHAFT	3
112	0H43470177	O-RING	1
113	0H63620156	DIPSTICK/COVER, OIL	1
114	0H56810172	NUT, HEXAGONAL	2
115	0H56810173	SPRING WASHER, STANDARD TYPE	1
116	0H56810174	PANEL ASSY., CONTROL	1



IX800 Model 005791

# iX800 Model 005791



ITEM	PART NO.	DESCRIPTION	QTY.
ASSY	OH56810176	BODY ASSY., ENGINE INCLUDES (1;6,7,8,9,24,25,26, 41.42,43,44, AND 55)	1
ASSY	OH56810181	COVER ASSY., GEAR, INCLUDES (32 & 54)	1
ASSY	OH56810193	SENSOR ASSY., OIL (INCL 33,34, & 35)	1
ASSY	OH56810206	COVER ASSY., CAMSHAFT (INCL. 45 & 46)	1
ASSY.	OH56810179	ROCKER ARM, VALVE,INCLUDES (10,11,12, & 14)	2
ASSY.	OH56810191	COVER ASSY., CRANKSHAFT TANK (INCL. 28,29)	1
2	OH56810205	BOLT, HEX FLANGE, M5*10	5
3	OH56810207	GUARD, SPARK PLUG	1
4	OH56810177	COVER, VALVE	1
5	OH56810178	GASKET, VALVE COVER	1
13	OH56810180	PUSH-ROD, VALVE	2
15	OH8097	SPARK PLUG	1
16	OH56810189	BEARING, DEEP GROOVE BALL	2
17	OH56810182	CRANKSHAFT & CONNECTING ROD ASSY.	1
18	OH56810186	PISTON	1
19	OH56810185	RING, OIL	1
20	OH56810183	COMPRESSION RING, BOTTOM	1

ITEM	PART NO.	DESCRIPTION	QTY.
21	OH56810184	COMPRESSION RING, TOP	1
22	OH56810187	PIN, PISTON	1
23	OH56810188	RETAINER(CIRCLIP), PISTON PIN	2
27	OH56810192	SEAL, CRANKSHAFT OIL(15*27*5)	1
30	OH43470285	OIL ASSY., TRIGGER	1
31	OH56810203	BOLT, HEX FLANGE M5*40	1
32	OH56810204	BOLT, HEX FLANGE M5*18	12
36	OH56810208	SPRING CLIP	1
37	OH56810195	GASKET, EXHAUST PIPE	1
38	OH56810201	WINDSHIELD 1	1
39	OH56810194	PIPE, EXHAUST	1
40	OH56810116	BOLT, HEX FLANGE, M5*25	2
47	OH56810196	TAPPET, VALVE	2
48	OH56810197	PIN, CAMSHAFT	2
49	OH56810209	GEAR, TIMING	1
50	OH56810199	CAMSHFT GEAR ASSY., EXH VALVE	1
51	OH56810210	CAMSHFT GEAR ASSY., INTAKE VALVE	1
52	OH56810198	GASKETS, CAMSHAFT	2
53	OH56810190	GUIDE PIN, CASE BODY	2
55	OH56810202	BEARING, OIL RETAINING	2