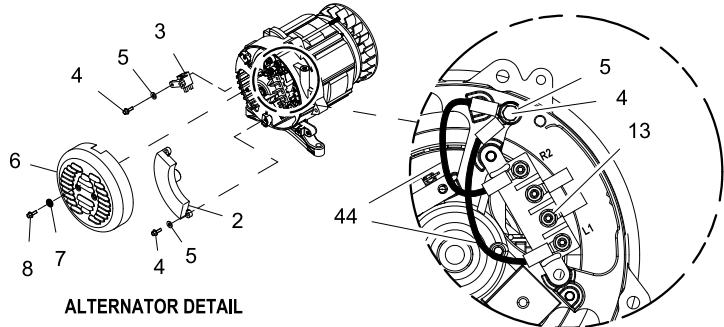
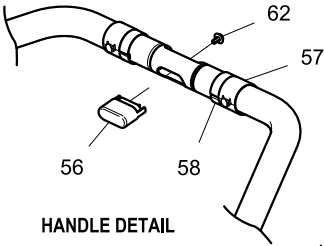


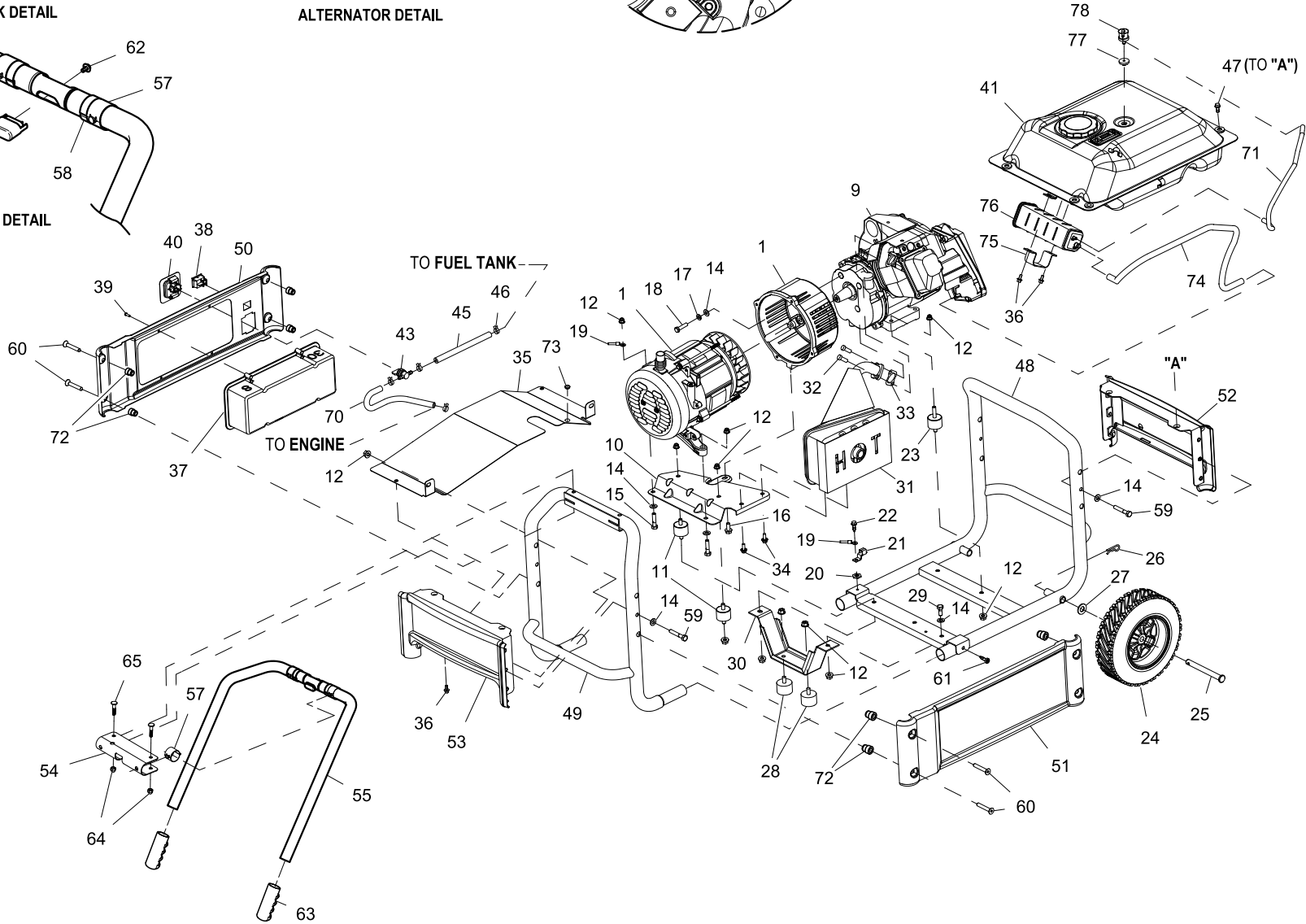
GAS TANK DETAIL



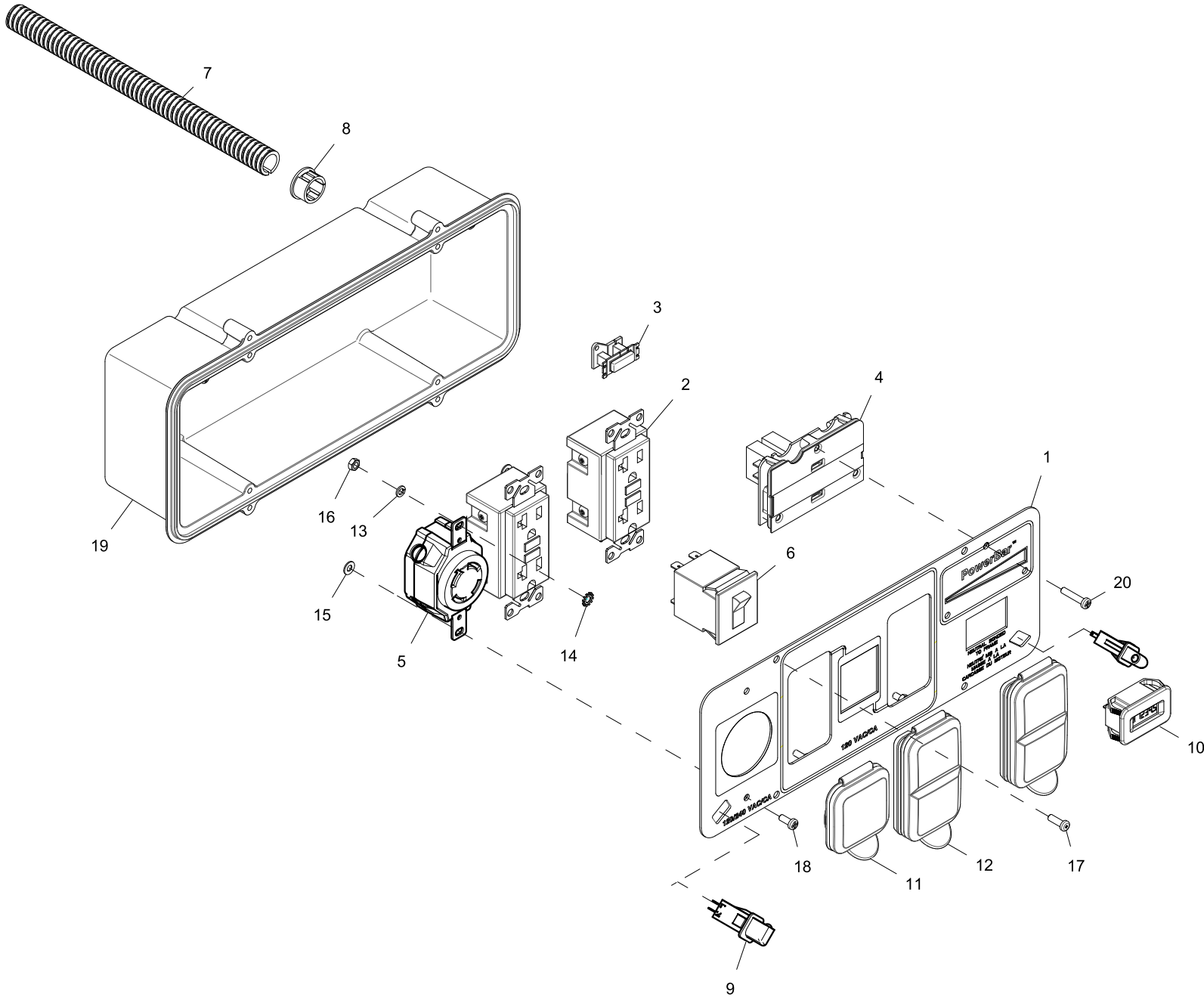
ALTERNATOR DETAIL



HANDLE DETAIL



ITEM	PART	QTY.	DESCRIPTION
1	0H4860	1	XG4000 ALT W/JUMPER WIRES
2	0H2579	1	AVR, 4000 ALTERNATOR
3	0H0919	1	ASSEMBLY,BRUSH
4	049815	4	SCREW HHC M5-0.8 X 16 G8.8
5	051713	4	WASHER FLAT M5
6	0H3049	1	COVER ALTERNATOR INLET 5-7KW
7	049226	2	WASHER LOCK M5
8	052618	2	SCREW HHC M5-0.8 X 12 C8.8
9	0H6222	1	ENGINE GH220 XG PS CARB
10	0H2698	1	BRACKET,MUFFLER MOUNT XG 220CC
11	0H2770	2	VIB MOUNT 15 X 15 X M8-1.25
12	067989	14	NUT HEX FL WHIZ M8-1.25
13	0H3535	4	NUT FLANGE M5-0.8 NYLOCK
14	022145	11	WASHER FLAT 5/16-M8 ZINC
15	039414	2	SCREW HHC M8-1.25 X 35 C8.8
16	0D4662	1	SCREW HHTR 5/16-18 X 3/4"
17	022129	4	WASHER LOCK M8-5/16
18	030209	4	SCREW HHC 5/16-24 X 1-1/4 G5
19	0742600186	1	GROUND WIRE BRG CAR-LUG 4KW
20	0A1658	1	WASHER LOCK SPECIAL 1/4"
21	055414	1	LUG SLDLSS #2-#8 X 17/64 CU
22	0G2018	1	SCREW HHSD 1/4-14 X 7/8
23	0H2771	2	VIB MOUNT 15 X 30 X M8-1.25
24	0H4420	2	WHEEL,9.5"
25	0H1129	2	AXLE, PIN, 1/2 IN, XG
26	0H3443	2	COTTER HAIRPIN 2.56 X .80
27	087171	2	WASHER FLAT 1/2 SS
28	0H3590	2	VIB MNT 38.4 X 30.5 X M8-1.25
29	039253	1	SCREW HHC M8-1.25 X 20 C8.8
30	0H0720	1	BRACKET, BENT, FOOT, XG
31	0H2757	1	MUFFLER,GH220,SIDE OUT,XG
32	0G3730	2	SCREW SHC M8-1.25 X 20 SEMS
33	089476	1	GASKET, EXHAUST 1.6MM
34	0G0919	2	SCREW HHFCS M6-1 X 12 G8.8
35	0H6370	1	HEAT SHIELD,XG4
36	090388	4	SCREW HHTT M6-1.0 X 12 ZINC
37	0H5285A	1	ASSY RECP PANEL XG4000 CAL/CSA
38	0H3451	1	SWITCH DPST ON-OFF BLACK
39	0G8382	4	SCREW PPPH #8-16 X .66" BZC
40	0H2142	1	VALVE HOLDER,FUEL SHUTOFF
41	0H2017A	1	ASSY,FUEL TANK 4.5 GAL XG CARB
42	0H1357	2	SCREW PFHM M5-0.8 X 12
43	0H3419	1	VALVE,FUEL SHUTOFF
44	0H4768A	2	JUMPER WIRE ASSEMBLY, 5.00"
45	0H3455E	1	FUEL HOSE, 160 MM LONG
46	048031G	4	CLAMP HOSE BAND .41
47	0G5445	4	SCREW HHTT M8-1.25 X 20
48	0J4680	1	FRAME,BASE,ASSY,XG4000
49	0J4681	1	FRAME,END,ASSY,XG4000
50	0H2161A	1	PANEL,SIDE,RIGHT
51	0H2161B	1	PANEL,SIDE,LEFT
52	0H2187A	1	ASSY,PANEL END FRONT
53	0H2187B	1	ASSY, PANEL END BACK
54	0H9529A	1	BRACKET,MOUNTING HANDLE
55	0J1208A	1	ASSY,HANDLE,XG
56	0H9527	1	ASSY BUTTON HANDLE XG
57	0H2205	2	BEARING,HANDLE,XG
58	0H9525	2	BEARING EXTERNAL HANDLE XG
59	051731	4	SCREW HHC M8-1.25 X 50 C8.8
60	0H6059	8	SCREW FHSC M8-1.25 X 60 BZC
61	0H5030	2	SCREW HHSD 1/4-14 X 7/8 BZ
62	0F2659	1	SCREW HHTT M3-0.5 X 6 BP
63	0G8465	2	GRIP NUBBED 1-1/4"X4-3/8"
64	0G8486	2	CAP NUT 5/16-18 ZBC
65	0H6887	2	BOLT CARR 5/16-18X2 BLACK ZINC
66	0H0958A	1	ASSY GAS CAP SEALED - BLACK
67	0H1326	1	FILTER, FUEL
68	0H1345E	1	FUEL GAGE, 140 MM LONG ARM
69	0H1359	1	PLATE, FUEL GAGE
70	0H5762	1	FUEL LINE FORMED VLV TO ENG XG
71	0H1207D	1	HOSE 8MM OD X 4MM ID X 18"LONG
72	0H5307	8	SPACER, SELF LOCATING
73	023484D	1	BUSHING SNAP SB-875-11
74	0H1207E	1	HOSE 14MM OD X 9MM ID X 32"
75	0H5720	1	BRACKET,CARBON CAN HOLD DOWN
76	0H5726	1	CARBON CANISTER, 216CC
77	0H3631	1	GROMMET, ROLLOVER VALVE
78	0H3630	1	ROLLOVER VALVE
79	0H1610	4	INSERT, ANTI-CRUSH FOR TANKS
80	0H1411	5	RUBBER MOUNT, 10.8 ID X 9 TALL
81	0H2018A	1	WLDMNT,FUEL TNK 4.5GAL XG CARB



ITEM	PART	QTY.	DESCRIPTION
1	0H5280A	1	ASSY COVER RECP PANEL XG4 CSA
2	0H3346	2	OUTLET 20A 120V GFCI GF20BK
3	0D4804B	1	XFMR IDLE CURRENT
4	0H6566	1	POWERBAR ASSY
5	0H3342	1	OUTLET 20A 120/250V SPCGR
6	0H5283A	1	CB 20A 250W CSA M SERIES
7	077043B	1	CONDUIT FLEX .50"ID
8	0A5489	1	SNAP BUSHING.75 OPEN
9	0H6784	2	LED CONTROL PANEL SNAP-FIT XG
10	0G8321	1	HOUR METER W/ALERTS AC/DC
11	0G9391	1	COVER,30A 120/240V
12	0G9392	2	COVER, 20A 120V GFCI/DUPLEX
13	022264	6	WASHER LOCK #8-M4
14	026579	1	WASHER LOCKF EXT #8 STEEL
15	043180	6	WASHER FLAT M4
16	051715	9	NUT HEX M4-0.7 G8 YEL CHR
17	0G8382	4	SCREW PPPH #8-16 X .66" BZC
18	0G9060	2	SCREW PPHM M4-0.7 X 10 BZC
19	0G9756	1	RECPTACLE PANEL STORM-GEN
20	0H3968	3	SCREW PPHM M4-0.7 X 20 BLK ZC
21	0H5274	1	WIRE HARNESS XG 4 (NOT SHOWN)