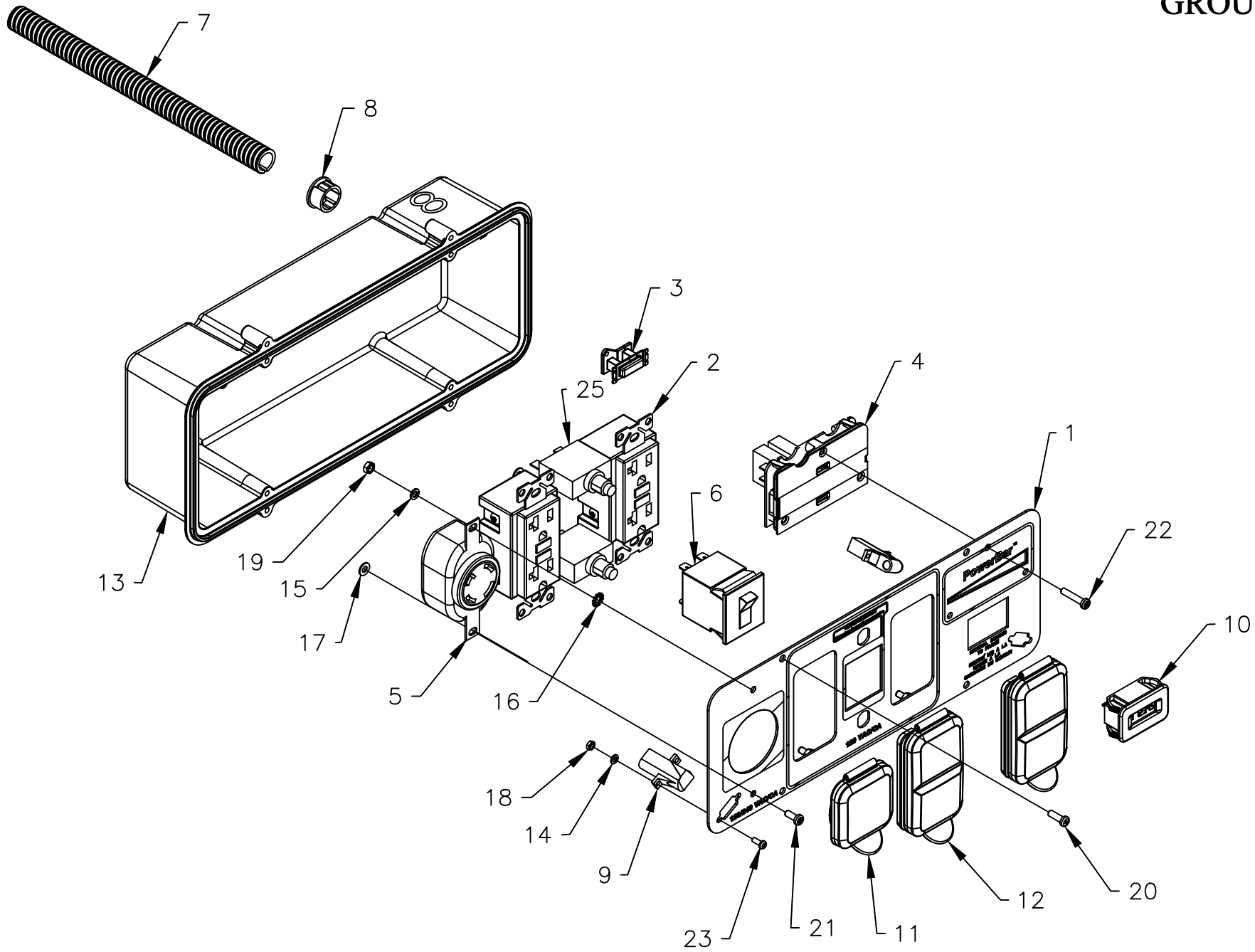


| ITEM | PART | QTY. | DESCRIPTION |
|------|------------|------|--------------------------------|
| 1 | 0J4654 | 1 | FRAME,BASE,ASSY,XG8000E |
| 2 | 0J4653 | 1 | FRAME,END,ASSY,XG8000E |
| 3 | 0H2392C | 1 | ASSY,END PNL ALT. END |
| 4 | 0H2392A | 1 | ASSY,END PANEL XG8 |
| 5 | 0H2564A | 1 | ASSY,FUEL TANK XG8 9GAL CARB |
| 6 | 0H2394B | 1 | PANEL, SIDE |
| 7 | 0H2394A | 1 | PANEL,C/PNL SIDE |
| 8 | 0H5285C | 1 | ASSY RECP PANEL XG8KW CAL/CSA |
| 9 | 0H6371 | 1 | HEAT SHIELD, XG6.5-8 |
| 10 | 0H4420 | 2 | WHEEL,9.5",1/2" AXLE,XG RALLYE |
| 11 | 0H1129 | 2 | AXLE, PIN, 1/2 IN, XG |
| 12 | 087171 | 2 | WASHER FLAT 1/2 SS |
| 13 | 0H3443 | 2 | COTTER HAIRPIN 2.56 X .80 |
| 14 | 022145 | 11 | WASHER FLAT 5/16-M8 ZINC |
| 15 | 051731 | 4 | SCREW HHC M8-1.25 X 50 C8.8 |
| 16 | 0G5445 | 6 | SCREW HHTT M8-1.25 X 20 |
| 17 | 0H5030 | 2 | SCREW HHSD 1/4-14 X 7/8 BZ |
| 18 | 0H3590 | 2 | VIB MNT 38.4 X 30.5 X M8-1.25 |
| 19 | 067989 | 12 | NUT HEX FL WHIZ M8-1.25 |
| 20 | 0H0720 | 1 | BRACKET, BENT, FOOT, GX |
| 21 | 039253 | 2 | SCREW HHC M8-1.25 X 20 C8.8 |
| 22 | 0G2018 | 1 | SCREW HHSD 1/4-14 X 7/8 |
| 23 | 055414 | 1 | LUG SLDLSS #2-#8 X 17/64 CU |
| 24 | 0742600186 | 1 | GROUND WIRE BRG CAR-LUG 4KW |
| 25 | 0A1658 | 1 | WASHER LOCK SPECIAL 1/4" |
| 26 | 090388 | 5 | SCREW HHTT M6-1.0 X 12 ZINC |
| 27 | 0G8465 | 2 | GRIP NUBBED 1-1/4"X4-3/8" |
| 28 | 0J1208B | 1 | ASSY HANDLE XG |
| 29 | 0H5307 | 8 | SPACER, SELF LOCATING |
| 30 | 0F2659 | 1 | SCREW HHTT M3-0.5 X 6 BP |
| 31 | 0H9527 | 1 | ASSY BUTTON HANDLE XG |
| 32 | 0H2205 | 2 | BEARING,HANDLE,XG |
| 33 | 0H9525 | 2 | BEARING EXTERNAL HANDLE XG |
| 34 | 0H9529B | 1 | BRACKET MOUNTING HANDLE |
| 35 | 0H6887 | 2 | BOLT CARR 5/16-18X2 BLCK ZINC |
| 36 | 0G8382 | 4 | SCREW PPPH #8-16 X .66" BZC |
| 37 | 0H2142 | 1 | VALVE HOLDER,FUEL SHUTOFF |
| 38 | 0G9549 | 1 | SWITCH SPDT (ON)-OFF-ON 20A |
| 39 | 0G9560A | 1 | CABLE CHOKE PORT NOM 382 |
| 40 | 0H3455E | 1 | FUEL HOSE, 160 MM LONG |
| 41 | 0H3419 | 1 | VALVE,FUEL SHUTOFF |
| 42 | 0742600188 | 1 | WIRE ASSEMBLY |
| 43 | 0742600192 | 1 | WIRE ASSEMBLY |
| 44 | 0H1326 | 1 | FILTER, FUEL |
| 45 | 0H0958 | 1 | ASSY GAS CAP SEALED - CHROME |
| 46 | 0H1357 | 2 | SCREW PFHM M5-0.8 X 12 |
| 47 | 0H1359 | 1 | PLATE, FUEL GAGE |
| 48 | 0H1345 | 1 | FUEL GAGE, 153 MM LONG ARM |
| 49 | 0J5335 | 1 | ASSY ENGINE 410 CATALYST |
| 50 | 048031G | 4 | CLAMP HOSE BAND .41 |
| 51 | 0H2043 | 2 | VIB MOUNT 35 X 12 X M8-1.25 |
| 52 | 0E4190 | 1 | CLAMP, 3/16" COATED CABLE |
| 53 | 0F5579 | 1 | SCREW HHC SHLDR M5-0.8X20 G8.8 |
| 54 | 0H6059 | 8 | SCREW FHSC M8-1.25 X 60 BZC |
| 55 | 0G3730 | 2 | SCREW SHC M8-1.25 X 20 SEMS |
| 56 | 0J3423 | 1 | MUFFLER GTH410 CARB |
| 57 | 090239 | 1 | GASKET, EXHAUST |

| ITEM | PART | QTY. | DESCRIPTION |
|------|------------|------|--------------------------------|
| 58 | 0J4876 | 1 | BRACKET MOUNTING MUFFLER |
| 59 | 0742600191 | 1 | WIRE ASSEMBLY |
| 60 | 0B2236 | 1 | NUT HEX LOCK M6-1 NY INS |
| 61 | 0H0228C | 1 | WIRE ASSY RED SOL TO SOL |
| 62 | 0H4768B | 2 | JUMPER WIRE ASSEMBLY, 5.00" N |
| 63 | 0G6392 | 4 | BOOT, VINYL STARTER-SOLENOID |
| 64 | 0742600189 | 1 | WIRE ASSEMBLY |
| 65 | 0H3535 | 6 | NUT FLANGE M5-0.8 NYLOCK |
| 66 | 052618 | 2 | SCREW HHC M5-0.8 X 12 C8.8 |
| 67 | 0742600193 | 1 | WIRE ASSEMBLY |
| 68 | 0G9449 | 1 | BATTERY 12V10AH SEALED |
| 69 | 0H2764 | 1 | BRACKET,BATTERY,HOLD DOWN |
| 70 | 092079 | 2 | SCREW HHTT M6-1.0 X 25 BP |
| 71 | 086729 | 1 | CONTACTOR, STARTER SOLENOID |
| 72 | 0F4795 | 6 | SCREW PPHM M4-0.7 X 10 SEMS |
| 73 | 089338 | 2 | NUT HEX LOCK #8-32 NY INS BR3 |
| 74 | 027529 | 2 | NUT HEX LOCK 1/4-20 NY INS |
| 75 | 020911 | 4 | SCREW PPHM M5-0.8 X 30 ZINC |
| 76 | 022152 | 4 | WASHER LOCK #10 |
| 77 | 023897 | 4 | WASHER FLAT #10 ZINC |
| 78 | 0G5002A | 1 | COVER ALTERNATOR INLET |
| 79 | 0G5206 | 1 | GROMMET WIRE SLEEVE |
| 80 | 075431 | 1 | SCREW IHHC 5/16-24 X 8-1/2 G5 |
| 81 | 022237 | 7 | WASHER LOCK 3/8 |
| 82 | 0G5958 | 1 | CAP MOTOR RUN 47MF 440V |
| 83 | 0G5088 | 1 | CLAMP, CAPACITOR |
| 84 | 0G5148 | 4 | SCREW IHHC M8-1.25 X 140 G8.8 |
| 85 | 0C3181 | 2 | SCREW BHSC M8-1.25 X 20 SS |
| 86 | 0H3935 | 1 | ASSY TERM BLK M5-0.8X20 |
| 87 | 085652 | 2 | VIB MNT 25.0 X 31.8 X M8-1.25 |
| 88 | 0H1551 | 1 | BEARING CARRIER, PORTABLE |
| 89 | 0H2734C | 1 | STR-230-8.0AD1 XP PORT,CHI-1 |
| 90 | 0G5211C | 1 | RTR-230-8.0AD1 (CHINA) |
| 91 | 030205 | 4 | SCREW FHSC 3/8-16 X 3/4 W/LOCK |
| 92 | 0G2397 | 1 | HOUSING ENGINE ADAPTER |
| 93 | 0H0025 | 1 | ASSY 12VDC POWER JACK W/LUGS |
| 94 | 0H4218 | 1 | HARNESS ENGINE GH410 XG ES |
| 95 | 0H5762 | 1 | FUEL LINE FORMED VLV TO ENG XG |
| 96 | 023484E | 1 | BUSHING SNAP SB-687-8 |
| 97 | 0H3631 | 1 | GROMMET, ROLLOVER VALVE |
| 98 | 0H3630 | 1 | ROLLOVER VALVE |
| 99 | 0H5994 | 1 | CARBON CANISTER,410CC ENGINE |
| 100 | 0H5993 | 1 | BRACKET,CARB CAN 410CC ENGINE |
| 101 | 0E8388 | 2 | NUT HEX FL WHIZ M6-1.0 |
| 102 | 0H1207B | 1 | HOSE 11MM ODX 5.5MM ID X 22IN |
| 103 | 0H3731 | 1 | EVAP HOSE, FORMED |
| 104 | 0H1411 | 5 | RUBBER MOUNT, 10.8 ID X 9 TALL |
| 105 | 0H1610 | 4 | INSERT, ANTI-CRUSH FOR TANKS |
| 106 | 0J4192 | 1 | WLDMNT SUPPORT MUFFLER |
| 107 | 0J3826 | 1 | J-BOLT MUFFLER M8-1.25 |
| 108 | 052858 | 1 | NUT TOP LOCK FL M8-1.25 |
| 109 | 0J1708 | 1 | MANIFOLD 410CC |
| 110 | 0H8159A | 2 | SCREW SHC SEMS FLAT M8-1.25X25 |
| 111 | 0C4138 | 1 | GASKET,EXHAUST PORT |
| 112 | 0G8486 | 2 | CAP NUT 5/16-18 ZBC |
| 113 | 0H2565A | 1 | WELDMNT,FUEL TANK XG 9GAL CARB |
| 114 | 022129 | 7 | WASHER LOCK M8-5/16 |



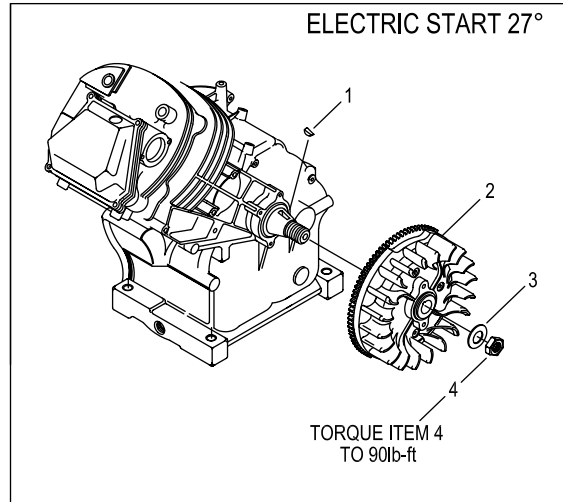
EXPLODED VIEW: PANEL PARTS
DRAWING #: 0H5299

GROUP

APPLICABLE TO: 005847-0

| ITEM | PART # | QTY. | DESCRIPTION |
|------|---------|------|--|
| 1 | 0H5280C | 1 | ASSY, RECEPTACLE PANEL |
| 2 | 0H3346 | 2 | OUTLET, 20A GFCI DUPLEX BLACK |
| 3 | 0D4804B | 1 | TRANSFORMER IDLE CURRENT |
| 4 | 0H3362D | 1 | POWERBAR ASSY 8.0KW |
| 5 | 0H2929 | 1 | OUTLET 30A 125/250V L1430R SPECGR |
| 6 | 0H5283B | 1 | CB, 250W 30A M-SERIES CSA |
| 7 | 077043B | 1 | FLEX GUARD 13MM IS X 203MM |
| 8 | 0A5489 | 1 | SNAP BUSHING 0.75 OPEN |
| 9 | 0H3345 | 2 | 120V LED ASSY |
| 10 | 0G8321 | 1 | HOUR METER |
| 11 | 0G9391 | 1 | COVER 30A 120/240V OUTLET |
| 12 | 0G9392 | 2 | COVER 20A 120V GFCI/DUPLEX |
| 13 | 0G9756 | 1 | RECEPTACLE PANEL STORM GEN |
| 14 | 022155 | 4 | WASHER LOCK #6 |
| 15 | 022264 | 6 | WASHER LOCK #8-M4 |
| 16 | 026579 | 1 | WASHER SHAKEPROOF EXT #8 STEEL |
| 17 | 043180 | 6 | WASHER, FLAT, M4 |
| 18 | 051714 | 4 | HEX NUT M3-0.5 G8 CLEARZINC |
| 19 | 051715 | 9 | HEX NUT M4-0.7 |
| 20 | 0G8382 | 4 | SCREW PHTT #8-16 X 1/2" BZC |
| 21 | 0G9060 | 2 | SCREW PPHM M4-0.7 X 10 BZC |
| 22 | 0H3968 | 3 | SCREW PPHM M4-0.7 X 20 BKZ |
| 23 | 0H3969 | 4 | SCREW PPHM M3-0.5 X 8 BKZ |
| 24 | 0H5276 | 1 | WIRE HARNESS XG8KW CAL/CSA (NOT SHOWN) |
| 25 | 0H0265C | 2 | CB 20A 1P 120V CUL/CSA |

FLYWHEEL OPTION
ENGINE PRODUCTION LEVEL 10E



| | | | |
|---|---------|---|--------------------------------------|
| 1 | 082774 | 1 | KEY, WOODRUFF 4 x 19D |
| 2 | 091222C | 1 | ASSY, FLYWHEEL W/RING GEAR 27 DEGREE |
| 3 | 067198N | 1 | WASHER, BELV-20 X 2.2 |
| 4 | 067890 | 1 | NUT, HEX – FLYWHEEL |