

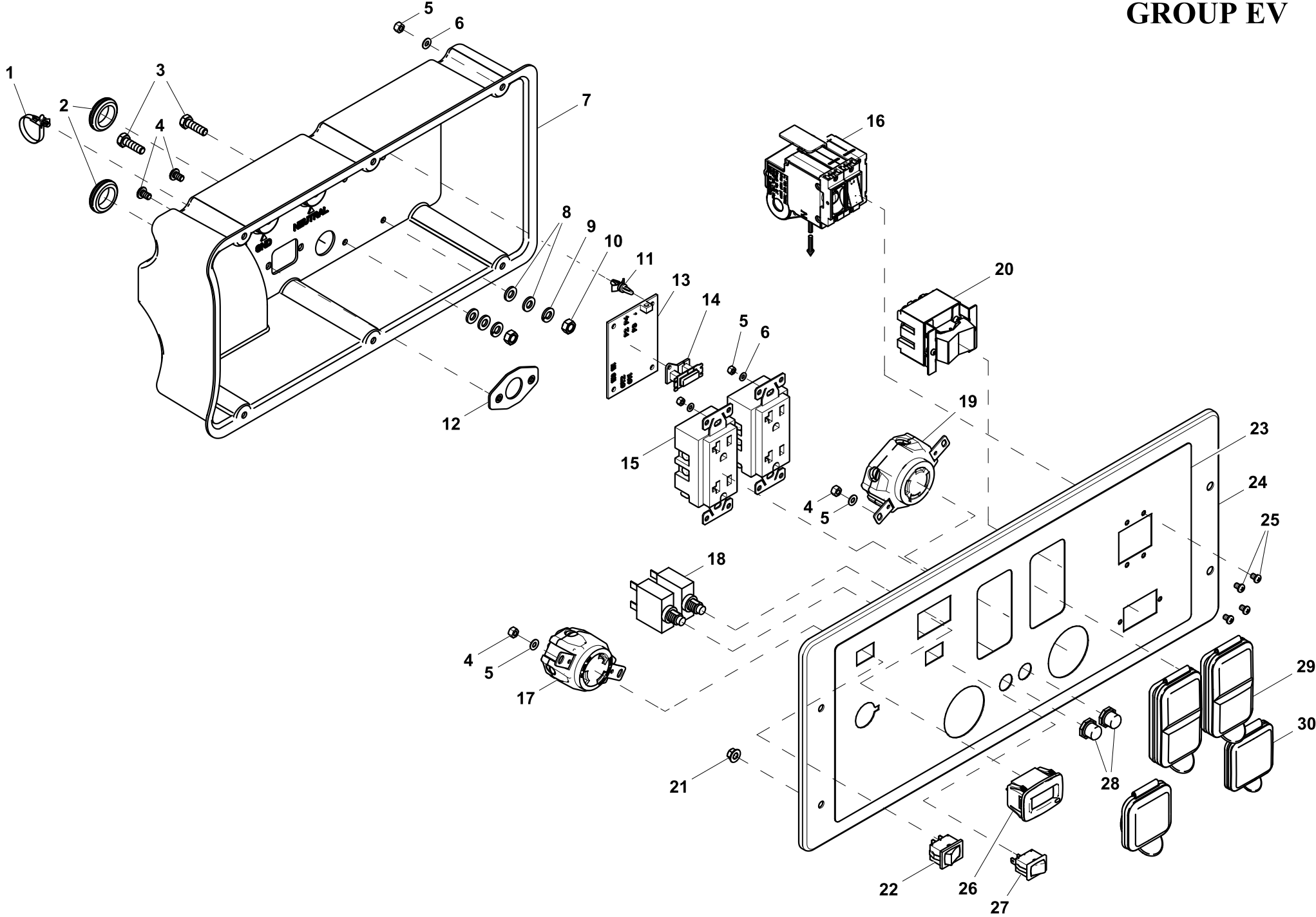
EXPLODED VIEW: EV GENERATOR 220 PORTABLE XP

DRAWING #: 0J3568A

GROUP EV

| ITEM | PART# | QTY. | DESCRIPTION |
|------|------------|------|--|
| 1 | 0H8500A | 1 | ASSY FUEL TANK 5 GAL XP CARB |
| 2 | 0G9029 | 4 | SCREW TTH M8-1.25 X 20 |
| 3 | 0G4933 | 16 | SCREW SWT 1/4-20 X 5/8 W/W |
| 4 | 0H8534 | 1 | PANEL, SIDE XP4 |
| 5 | 052677 | 2 | WASHER NYLON .50 X .87 X .06 |
| 6 | 0H7950 | 2 | BUSHING, FLANGED HEAD |
| 7 | 0K8086 | 2 | COTTER HAIRPIN .078" X 1.188" |
| 8 | 0H8658 | 1 | ASSY, LIFTING BEAM XP4 |
| 9 | 0H8473 | 1 | ENGINE GH220 XP4 PS 49ST 2011 |
| 9A | 0J3583 | 1 | ENGINE GH220 XP4 ES CARB 2011 SEE NOTE 1 |
| 10 | 089476 | 1 | GASKET, EXHAUST 1.6 MM |
| 11 | 0G0919 | 2 | SCREW HHFCS M6-1 X 12 G8.8 |
| 12 | 0H2757 | 1 | MUFFLER, GH220, SIDE OUT, XG |
| 13 | 022145 | 5 | WASHER FLAT 5/16-M8 ZINC |
| 14 | 022129 | 4 | WASHER LOCK M8-5/16 |
| 15 | 030209 | 4 | SCREW HHC 5/16-24 X 1-1/4 G5 |
| 16 | 0J2348 | 1 | WLDMNT PANEL END XP 3.6KW |
| 17 | 0K8152 | 2 | CURVED HEAD CLEVIS PIN |
| 18 | 0K8661 | 1 | WELD CRADLE ENGINE END |
| 19 | 0H1218 | 4 | NUT FLANGE 5/16-18 NYLON |
| 20 | 0H2698 | 1 | BRACKET, MOUNTING, MUFFLER, 220XG |
| 21 | 0D4662 | 1 | SCREW HHTR 5/16-18 X 3/4" |
| 22 | 0H1113 | 2 | VIB MNT 1.38X1.0X5/16-18 MXM |
| 23 | 0H8409 | 1 | WELD CRADLE ALT END |
| 24 | 0J2348A | 1 | WLDMNT PANEL END XP 3.6KW |
| 25 | 067989 | 6 | NUT HEX FL WHIZ M8-1.25 |
| 26 | 084508A | 2 | VIBRATION MNT 45 ANGLE 65 DURO |
| 27 | 081990 | 2 | SCREW SHC M8-1.25 X 40 C8.8 |
| 28 | 0K2918 | 1 | ASSY C-PNL XP4000 |
| 29 | 078653 | 1 | SWITCH ENGINE RUN-STOP |
| 30 | 0E8388 | 5 | NUT HEX FL WHIZ M6-1.0 |
| 31 | 0H8205 | 1 | MTG FUEL VALVE RETAINER |
| 32 | 0C5786 | 1 | VALVE, FUEL SHUT OFF |
| 33 | 0H8532 | 1 | WELD PANEL SIDE C-PNL XP4 |
| 34 | 0L2176 | 2 | SCREW HHSD PREMIUM 1/4-14X1 BZ |
| 35 | 0H7520 | 1 | FUEL GAUGE, ROUND 6" LONG |
| 36 | 0H7521 | 1 | GROMMET FUEL GAUGE ROUND |
| 37 | 0J1699A | 1 | EVAP HOSE FORMED NOM 851 |
| 37A | 0H1207K | 1 | HOSE 8MM OD X 4MM ID X 20" SEE NOTE 1 |
| 38 | 0H1326 | 1 | FILTER, FUEL |
| 39 | 0G3110 | 1 | SCREW HHTT M6-1.0 X 20 ZINC |
| 40 | 055414 | 1 | LUG SLDLSS #2-#8 X 17/64 CU |
| 41 | 0742600194 | 1 | GRND WIRE PORT BRG CARR-FRAME |
| 42 | 0A1658 | 1 | WASHER LOCK SPECIAL 1/4" |
| 43 | 0J4446 | 1 | HEAT SHIELD 3.6KW XP PORTABLE |
| 44 | 0F7806 | 4 | NUT HEX FL WHIZ M4-0.7 |
| 45 | 0J2347 | 1 | BRKT CARBON CANISTERSEE NOTE 1 |
| 46 | 0H5726 | 1 | CARBON CANISTER, 216CC SEE NOTE 1 |
| 47 | 0H8601 | 1 | ALTERNATOR SAE BT COP-AL VN |
| 48 | 0H2579 | 1 | AVR |
| 49 | 0H0919 | 1 | BRUSH ASSY |
| 50 | 049815 | 2 | SCREW, BRUSH ASSY |
| 51 | 052618 | 2 | SCREW, ALTERNATOR COVER |
| 52 | 0H3049 | 1 | ALTERNATOR COVER |
| 53 | 0H1207J | 1 | HOSE 14MM OD X 9MM ID X 22.5" SEE NOTE 1 |
| 54 | 0H0958A | 1 | ASSY GAS CAP SEALED - BLACK |
| 55 | 0H8499A | 1 | WLDMNT FUEL TANK 5 GAL XP CARB |
| 56 | 0H3630 | 1 | ROLLOVER VALVE |
| 57 | 0H3455H | 1 | FUEL HOSE 122MM LONG |
| 58 | 022473 | 2 | WASHER FLAT 1/4-M6 ZINC |
| 59 | 0J0772 | 1 | CLIP SNAP-IN WIRE MANAGEMENT |
| 60 | 0G3730 | 2 | SCREW SHC M8-1.25 X 20 SEMS |
| 61 | 048031G | 2 | CLAMP HOSE BAND .41 |
| 62 | 0H3631 | 1 | GROMMET, ROLLOVER VALVE |

GROUP EV



| ITEM | PART | QTY. | DESCRIPTION |
|------|---------|------|--------------------------------|
| 1 | 0J7549 | 1 | TIE WRAP PUSH MNT QUICK REL |
| 2 | 038057 | 2 | GROMMET 7/8 X 1/16 X 3/4 |
| 3 | 042568 | 2 | SCREW HHC M6-1.0 X 20 C8.8 |
| 4 | 0E5333 | 2 | SCREW PHTT M5-0.8 X 8 ZINC |
| 5 | 0E6480 | 14 | NUT HEX LOCK M4-0.7 NY INS |
| 6 | 043180 | 14 | WASHER FLAT M4 |
| 7 | 0H8118 | 1 | CONTROL BOX XP6.5-8KW PORTABLE |
| 8 | 049811 | 4 | WASHER FLAT M6 |
| 9 | 022097 | 2 | WASHER LOCK M6-1/4 |
| 10 | 049813 | 2 | NUT HEX M6-1.0 G8 CLEAR ZINC |
| 11 | 040213C | 4 | PCB SUPPORT SNAP-IN 3/16" |
| 12 | 0H3349 | 1 | WIRE ADAPTER PLATE |
| 13 | 0H8447 | 1 | ASSY PCB XP PORTABLE CTRL |
| 14 | 084028 | 1 | TRANSFORMER IDLE CNT |
| 15 | 0D4968 | 2 | OUTLET 20A 120V DPLX 6342BK |
| 16 | 0K2706A | 1 | GFCI RCBO ASSY UL943 RCKR 15A |
| 17 | 0G8758 | 1 | OUTLET 30A 120/250V SPCGR |
| 18 | 0H0265C | 2 | CB 20A 1P 120V CUL/CSA JOEMEX |
| 19 | 068868 | 1 | OUTLET 30A 120V RECEPT |
| 20 | 0H8037 | 1 | SWITCH SELECTOR 120/240V 30A |
| 21 | 0E8388 | 4 | NUT HEX FL WHIZ M6-1.0 |
| 22 | 078653 | 1 | SWITCH ENGINE RUN-STOP |
| 23 | 0K2917 | 1 | OVERLAY C-PNL XP4000 |
| 24 | 0K2916 | 1 | ASSY COVER C-PNL XP4000 |
| 25 | 036900 | 4 | SCREW PPHM #6-32 X 1/4 |
| 26 | 0H8214 | 1 | HOUR METER W/ALERTS AC/DC |
| 27 | 087968 | 1 | SWITCH, ROCKER -/0 |
| 28 | 0J3223 | 2 | BOOT/NUT, SWITCH COVER |
| 29 | 0G9392 | 2 | COVER, 20A 120V GFCI/DUPLEX |
| 30 | 0G9391 | 2 | COVER, 30A 120/240V |