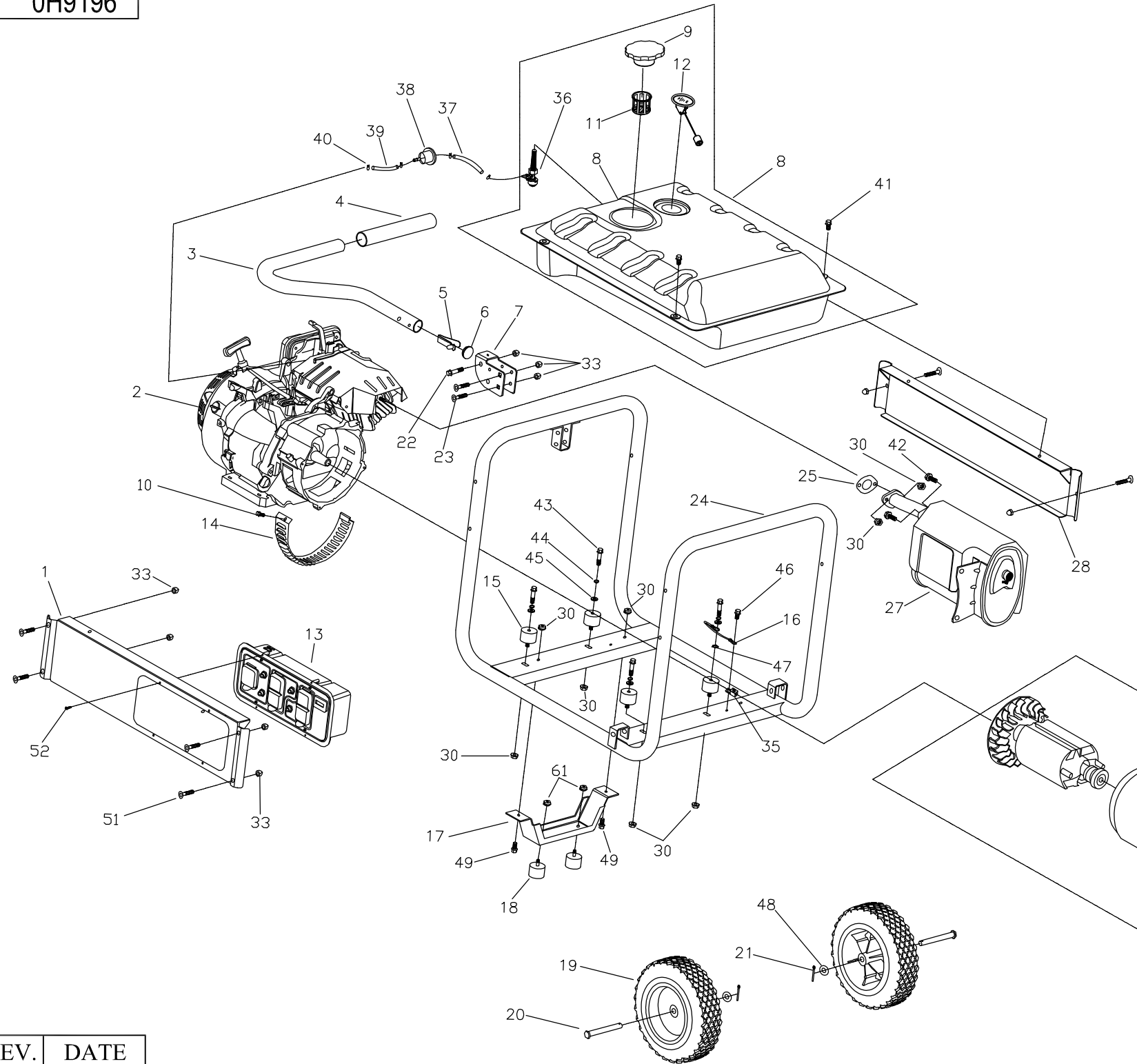
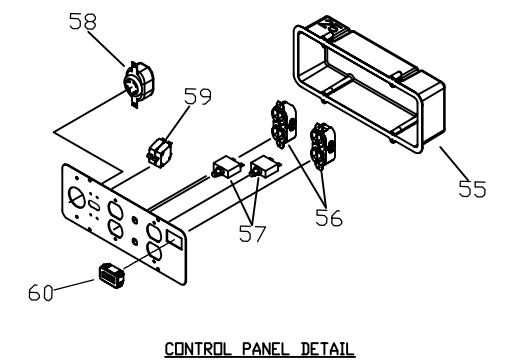


PART NO. **0H9196**



ITEM	PART #	QTY.	DESCRIPTION	ITEM	PART #	QTY.	DESCRIPTION
1	DH9748	1	PANEL RAIL CONTROL PANELSIDE GP	47	DA1658	1	WASHER LOCK SPECIAL 1/2"
2	DG844 2	1	ENGINE 389CC W/OUT MUFFLER	48	D223 04	2	WASHER FLAT 1/4"
3	0H9756	1	HANDLE	49	0429 07	6	SCREW HHC M8-1.25 X 16
4	0H9759	1	HANDLE GRIP	50	0702 64	1	WASHER FLAT M10
5	DG544 2	1	SNAP BUTTON	51	DH1780	6	CURVED HEAD M8-1.25 X 42
6	DH9760	1	SNAP BUTTON NYLON BLACK	52	DG8382	4	SCREW PPH #8-16
7	0H9767	1	HANDLE BRACKET	53	0760 40	3	SCREW PPH M5-0.8 X 16
8	0H7510	1	ASSEMBLY FUEL TANK 7.2 GAL LON	54	0915 26	4	SCREW PPH M5-0.8 X 12
9	0H1325 A	1	FUEL CAP VENTED CHROME	55	DG8758	1	RECEPTACLE PANEL BOX
10	0H6770	1	SCREW HHC M5-0.8 X 10	56	068507	2	OUTLET 20A DUPLEX
11	DH1326	1	FUEL CAP STRAINER	57	0H0295C	2	CIRCUIT BREAKER 20 A 1P 120V
12	DH9005	1	FUEL GAUGE 130mm LONG	58	DG6758	1	OUTLET 30A 120/250V SPCGRD
13	0H9775 A	1	ASSY CONTROL PANEL 25A W/HOUR METER CSA	59	0G9023 B	1	CB 25A 2P 240V CUL/CSA
14	DH9761	1	ALTERNATOR SCROLL	60	DG8321	1	HOUR METER WITH ALERTS
15	0G8527	4	VIBRATION MOUNT 5/16-18 THREADS	61	0811 05	2	NUT FLANGE 5/16-18
16	0G875 3C	1	ASSEMBLY GROUND WIRE				
17	DH1114	1	FRAME FOOT				
18	DG847 B	2	RUBBER FOOT 5/16-18				
19	0G865 1	2	WHEEL 9.5" DIAMETER				
20	0H0204	2	AXLE PIN 3/8" O.D. X 4" LONG				
21	0C4899	2	COTTER PIN				
22	0H0031	2	CHD CUSTOM 5/16-18 X .46				
23	03 9287	1	SCREW HHC M8-1.25 X 45				
24	DH9752	1	ASSEMBLY FRAME				
25	DG902 B	2	EXHAUST GASKET				
26	DG989 9	1	ALTERNATOR 5000W BRUSH TYPE				
27	DH9763	1	ASSEMBLY MUFFLER				
28	DH9749	1	PANEL RAIL BACK GP				
29	DG854 2	1	MUFFLER BRACKET				
30	D67989	8	NUT HEX FLANGE M8-1.25				
31	DG98990 1D1	1	AVR				
32	DG98990 1D3	1	ALTERNATOR BRUSH (BLACK)				
33	DH1782	9	GAP NUT M8-1.25 BLACK ZINC				
34	0H3049	1	COVER ALTERNATOR INLET				
35	05 5414	1	LUG SOLID DERLESS #2-#8				
36	DJ 0874	1	VALVE FUEL SHUTOFF				
37	0G8757A	1	FUEL HOSE 4mm I.D. X 8mm O.D. X 55				
38	DD6313	1	FUEL FILTER				
39	0G9757B	1	FUEL HOSE 4mm I.D. X 8mm O.D. X 80				
40	DC7649	4	HOSE CLAMP				
41	D3 9253	4	SCREW HHC M8-1.25 X 20				
42	D4 3107	2	SCREW HHC M8-1.25 X 25				
43	D3 9414	4	SCREW HHC M8-1.25 X 35				
44	D2 2129	4	WASHER LOCK M8 / 5/16				
45	D2 2145	4	WASHER FLAT M8 / 5/16				
46	D9 2079	1	SCREW HHTT M6-1.0 X 25				



E.C.O.	REV.	DATE
-	A	10/17/10

MODEL: 005974-0
5.0kW PULL START CSA

DO NOT SCALE

GROUPEV

EXPLODED VIEW:		EV GP5000W PS CSA		GENERAC POWER SYSTEMS	
DRAWN BY:	DMC	DATE:	8/19/10	P.O. BOX 8 WAUKESHA, WIS. 53186	
CHECKED BY:	KEVIN COLE	DATE:	9/8/10	FIRST USE:	05974-0
APPROVED BY:	GREG MATHENY	DATE:	10/11/10	PART NO.	0H9196
RELEASED FOR PRODUCTION BY:	K. BAUER	DATE:	10/17/10	REV.	A