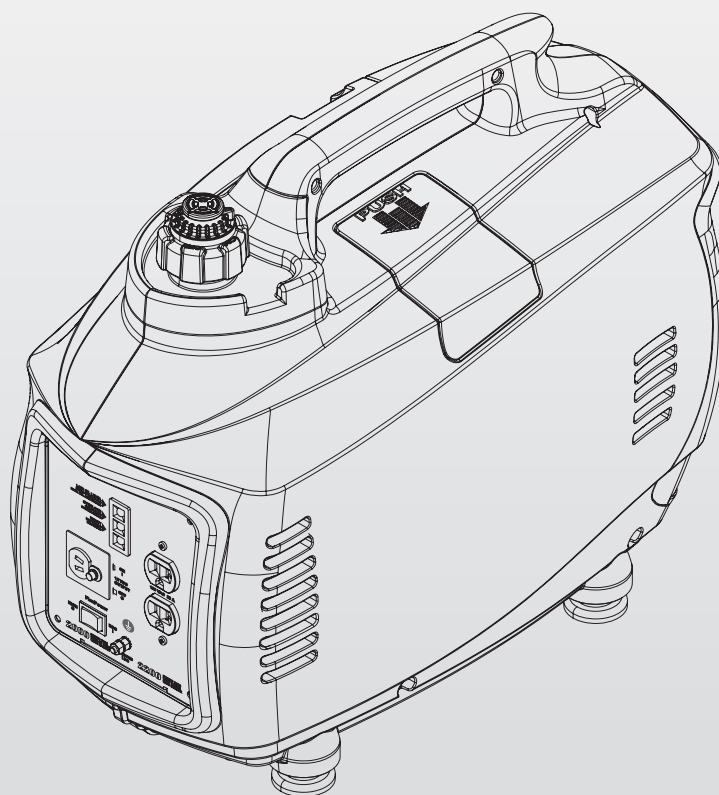
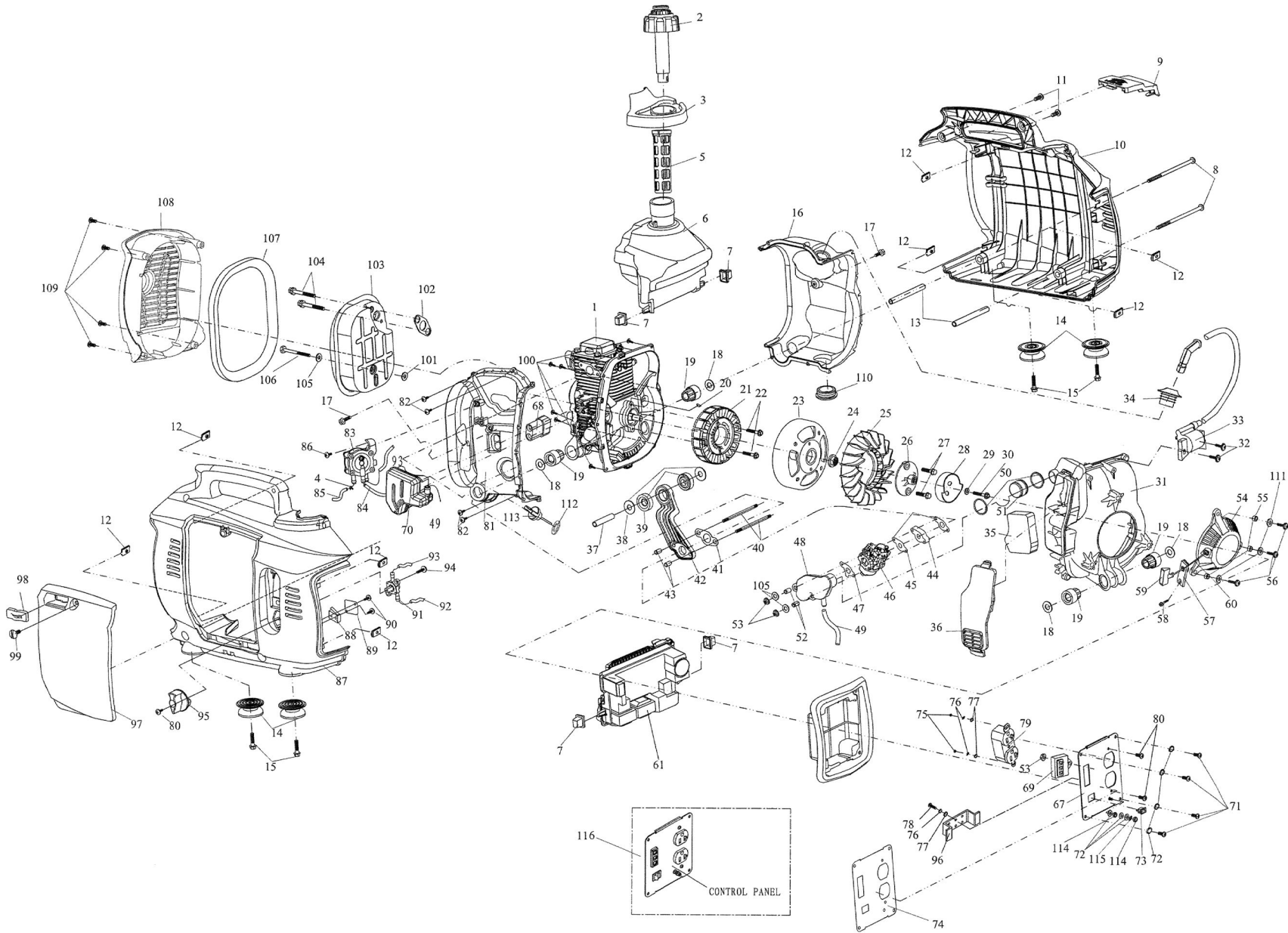
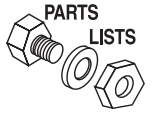


800 Watt Inverter Generator Parts Manual



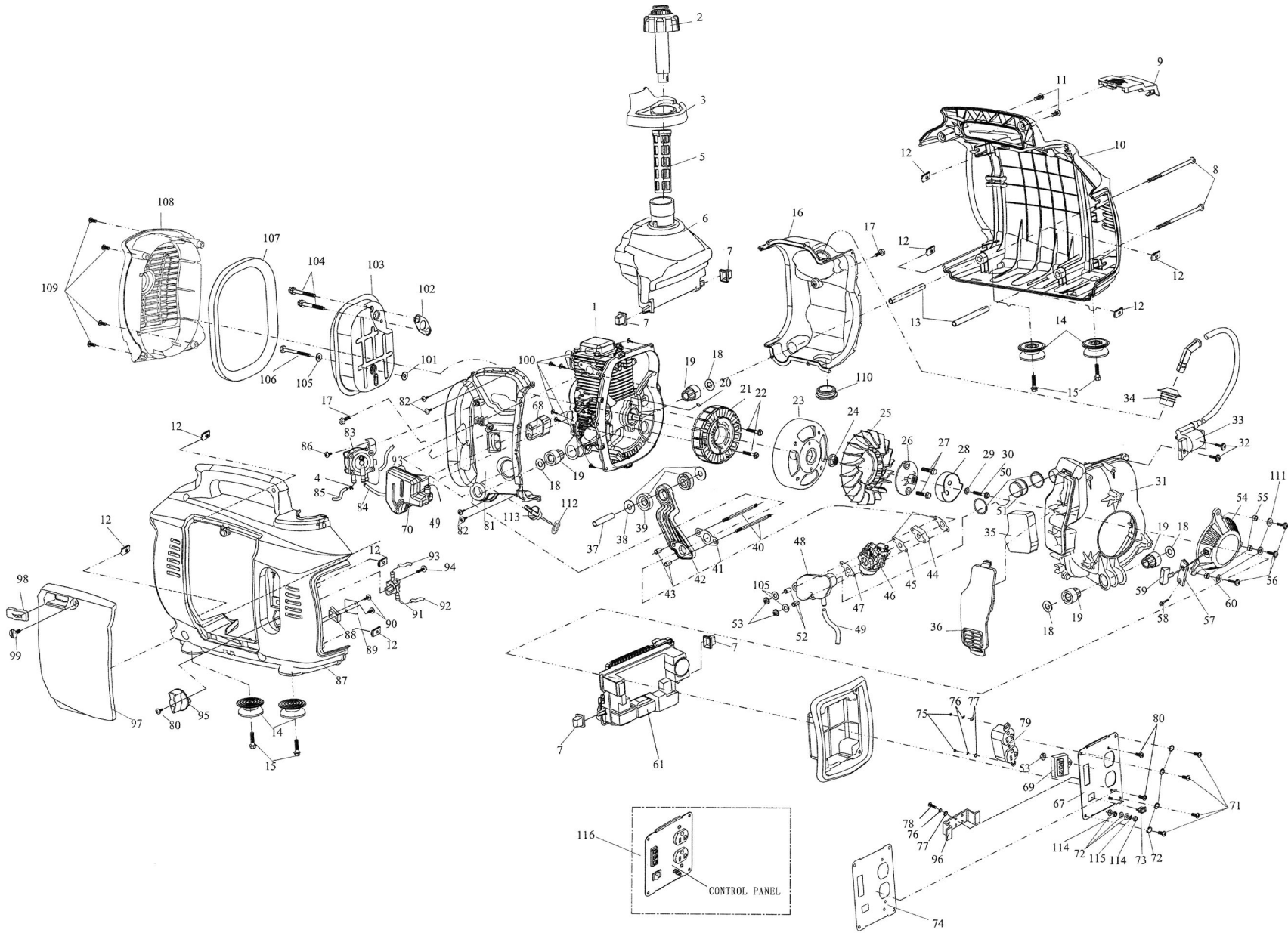


800 Watt Model 0060640

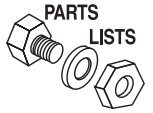


| ITEM | PART NO. | DESCRIPTION | QTY. |
|------|------------|--|------|
| 1 | 0H5681 | ENGINE ASSY. | 1 |
| 2 | 0H4347H110 | CAP ASSY, FUEL TANK (RED) | 1 |
| 3 | 0H56810110 | FUEL FILLER INLET RUBBER RING | 1 |
| 4 | 0H43470198 | CLAMP, FUEL HOSE | 8 |
| 5 | 0H43470112 | CUP, FUEL FILTER | 1 |
| 6 | 0H56810111 | TANK, FUEL | 1 |
| 7 | 0H43470114 | SHOCK ABSORBER BLOCK | 4 |
| 8 | 0H63620150 | SCREW, CROSS RECESSED PAN HEAD, M6X120 | 2 |
| 9 | 0H5681H112 | COVER, UPPER SHELL | 1 |
| 10 | 0H5681H113 | SHELL, UPPER | 1 |
| 11 | 0H43470168 | SCREW, CROSS RECESSED PAN HEAD, M6X14 | 2 |
| 12 | 0H43470117 | LOCK SLICE/SCREW CLIP | 8 |
| 13 | 0H63620117 | ALIGNMENT PIN | 2 |
| 14 | 0H43470118 | DAMPING FEET | 4 |
| 15 | 0H43470121 | BOLT, HEX, FLANGE FACE (M6X12) | 4 |
| 16 | 0H56810114 | LOWER CASING, ENGINE | 1 |
| 17 | 0H43470142 | BOLT, HEX, FLANGE FACE (M5X16) | 2 |
| 18 | 0H43470123 | WASHER | 4 |
| 19 | 0H43470124 | SLEEVE, DAMPING/VIBRATION MOUNTS | 4 |
| 20 | 0H43470125 | KEY, WOODRUFF--3X5X13 | 1 |
| 21 | 0H56810115 | STATOR ASSY. | 1 |
| 22 | 0H56810116 | BOLT, HEX, FLANGE FACE (M5X25) | 2 |
| 23 | 0H56810117 | FLYWHEEL ROTOR ASSY. | 1 |
| 24 | 0H63620124 | NUT, HEX FLANGE FACE(M10x1.25-8) | 1 |
| 25 | 0H56810118 | FAN | 1 |
| 26 | 0H56810119 | SEAT, STARTING JAW | 1 |
| 27 | 0H43470132 | BOLT, HEX , FLANGE FACE(M6X14) | 2 |
| 28 | 0H56810120 | JAW, STARTING | 1 |
| 29 | 0H43470213 | WASHER (6) | 1 |
| 30 | 0H56810121 | BOLT, HEX, FLANGE FACE(M6X18) | 1 |
| 31 | 0H56810122 | COWLING & INLET COVER ASSY. | 1 |
| 32 | 0H56810123 | SCREW, CROSS RECESSED PAN HEAD TAPPING | 2 |

| ITEM | PART NO. | DESCRIPTION | QTY. |
|------|------------|--|------|
| 33 | 0H56810124 | COIL, INGITION | 1 |
| 34 | 0H56810125 | SLEEVE, RUBBER (HIGH VOLTAGE) | 1 |
| 35 | 0H56810126 | SPONGE, AIR FILTER | 2 |
| 36 | 0H56810127 | COVER, AIR FILTER | 1 |
| 37 | 0H56810128 | ALIGNMENT PIN | 1 |
| 38 | 0H56810129 | WASHER | 2 |
| 39 | 0H56810130 | DAMPING RING, POTHOOK | 2 |
| 40 | 0H56810131 | STUD BOLT | 2 |
| 41 | 0H56810132 | GASKET, POTHOOK | 1 |
| 42 | 0H56810133 | POTHOOK | 1 |
| 43 | 0H56810134 | PIN, HOLLOW FIXED POSITION | 2 |
| 44 | 0H56810135 | BLOCK, CARBURETOR CUSHION | 1 |
| 45 | 0H56810136 | SEAL GASKET, CARBURETOR(OUT) | 2 |
| 46 | 0H56810137 | CARBURETOR REGULATING ASSY. | 1 |
| 46A | 0H56810200 | STEPPER MOTOR | 1 |
| 47 | 0H63620141 | SEAL GASKET, CARBURETOR(IN) | 1 |
| 48 | 0H56810138 | FILTER ADAPTER BOX(BREATHER) | 1 |
| 49 | 0H56810139 | TUBE, BREATHER | 1 |
| 50 | 0H43470151 | CIRCLIP, ADAPTER | 2 |
| 51 | 0H43470152 | SLEEVE, FILTER ADAPTER | 1 |
| 52 | 0H56810140 | ALIGNMENT PIN, ADAPTER BOX | 2 |
| 53 | 0H63620142 | NUT, HEX FLANGE FACE | 3 |
| 54 | 0H56810141 | STARTER ASSY. | 1 |
| 55 | 0H56810142 | SAFEGUARD TUBE | 3 |
| 56 | 0H56810143 | REC.PAN HEAD SCREW/WASHER ASSY.(M5X12) | 3 |
| 57 | 0H43470155 | HANDLE PANEL | 1 |
| 58 | 0H43470200 | RECESSED HEAD BOLT & WASHER ASSY. | 1 |
| 59 | 0H43470153 | STARTER HANDLE | 1ea |
| 59a | 0H56810144 | STARTER HANDEL HOOD | 1ea |
| 60 | 0H43470154 | STARTER ROPE | 1 |
| 61 | 0H56810145 | INVERTER | 1 |

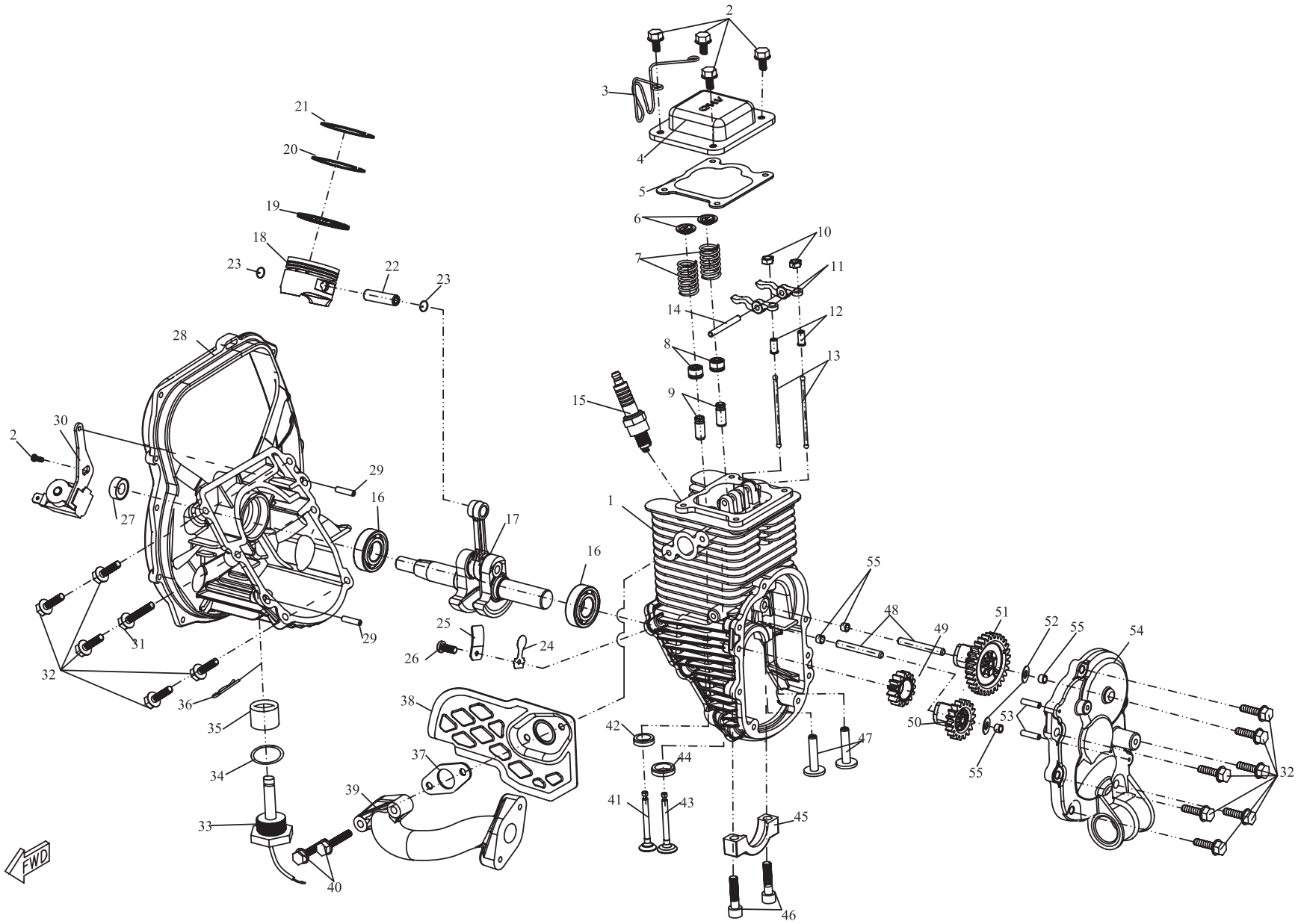


800 Watt Model 0060640



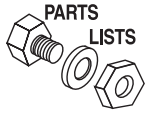
| ITEM | PART NO. | DESCRIPTION | QTY. |
|------|------------|---|------|
| 66 | 0H56810146 | FRAME, FRONT PANEL | 1 |
| 67 | 0H56810147 | PANEL, IC | 1 |
| 68 | 0H63620162 | ADAPTER SLEEVE, RESPIRATOR | 1 |
| 69 | 0H56810175 | IGNITER (WITH INDICATOR) | 1 |
| 70 | 0H56810148 | BACKOIL ASSY. RESPIRATOR | 1 |
| 71 | 0H56810149 | SCREW, CROSS RECESSED PAN HEAD(M5X12) | 4 |
| 72 | 0H43470161 | WASHER, FLAT(5) | 7 |
| 73 | 0H43470215 | SWITCH | 1 |
| 74 | 0H56810150 | IC SCREEN | 1 |
| 75 | 0H63620175 | NUT, I TYPE HEX.(M4) | 2 |
| 76 | 0H43470208 | WASHER,STANDARD SPRING(4) | 8 |
| 77 | 0H43470207 | WASHER, FLAT | 8 |
| 78 | 0H56810151 | SCREW, CROSSED RECESSED PAN HEAD | 6 |
| 79 | 0H63620174 | SOCKET, 120V ASSY | 1 |
| 80 | 0H43470214 | SCREW, CROSS RECSD, ,RAISED CNTRSUNK HEAD | 3 |
| 81 | 0H56810152 | CASING, ENGINE UPPER | 1 |
| 82 | 0H56810153 | SCREW, TAPPING,CROSS, RECSD,P/ HEAD(ST4.2X13) | 4 |
| 83 | 0H43470184 | PUMP ASSY. FUEL | 1 |
| 84 | 0H56840154 | GASPIPE, FUEL PUMP | 1 |
| 85 | 0H56810155 | OUTLET PIPE, FUEL PUMP | 1 |
| 86 | 0H43470185 | SCREW, TAPPING,CROSS RECSD, P/ HEAD(ST4.8X19) | 1 |
| 87 | 0H5681H156 | SHELL, LOWER | 1 |
| 88 | 0H43470170 | SWITCH, IGNITION ON/OFF | 1 |
| 89 | 0H43470171 | COVER, SWITCH | 1 |
| 90 | 0H56810157 | SCREW. TAPPING,CROSS RECSD,P/ HEAD(ST4.2X9.5) | 2 |
| 91 | 0H43470173 | SWITCH/VALVE. FUEL | 1 |

| ITEM | PART NO. | DESCRIPTION | QTY. |
|------|------------|---|------|
| 92 | 0H56810158 | PIPE, OUTLET | 1 |
| 93 | 0H56810159 | PIPE, INLET, FUEL PUMP | 1 |
| 94 | 0H56810160 | SCREW, TAPPING,CROSS RECSD, P/ HEAD(ST6.3X16) | 1 |
| 95 | 0H43470167 | KNOB, ON/OFF FUEL SWITCH | 1 |
| 96 | 0H63620177 | CONNECTION-PEG, GROUNDED | 1 |
| 97 | 0H5681H161 | COVER, LOWER SHELL | 1 |
| 98 | 0H43470163 | SEAL, LOWER SHELL COVER | 1 |
| 99 | 0H63620151 | SCREW(M6X14) | 1 |
| 100 | 0H56810162 | SCREW, TAPPING,CROSS RECSD,P/ HEAD(ST4.2X16) | 6 |
| 101 | 0H56810163 | WASHER, FLAT | 1 |
| 102 | 0H56810164 | SHIM, MUFFLER | 1 |
| 103 | 0H56810165 | MUFFLER ASSY. | 1 |
| 104 | 0H56810166 | BOLT, HEX, FLANGE FACE(M6X50) | 2 |
| 105 | 0H43470197 | WASHER, FLAT | 3 |
| 106 | 0H56810167 | BOLT, HEX (M5X70) | 1 |
| 107 | 0H56810168 | GASKET, RUBBER, BACK WINDOW | 1 |
| 108 | 0H56810169 | WINDOW, BACK | 1 |
| 109 | 0H63620168 | SCREW, CROSS RECESSED PAN HEAD(M5X20) | 4 |
| 110 | 0H56810170 | SEAL COVER, OIL SENSOR | 1 |
| 111 | 0H56810171 | GASKET, SHAFT | 3 |
| 112 | 0H43470177 | WASHER, OIL DIPSTICK | 1 |
| 113 | 0H63620156 | DIPSTICK/COVER, OIL | 1 |
| 114 | 0H56810172 | NUT, HEXAGONAL | 2 |
| 115 | 0H56810173 | SPRING WASHER, STANDARD TYPE | 1 |
| 116 | 0H56810174 | PANEL ASSY., CONTROL | 1 |



800 Watt Model 0060640

800 Watt Model 0060640



| ITEM | PART NO. | DESCRIPTION | QTY. |
|-------|------------|---|------|
| ASSY | 0H56810176 | BODY ASSY., ENGINE INCLUDES (1;6, 7,8,9,24,25,26,41,42,43,44, AND 55) | 1 |
| ASSY | 0H56810181 | COVER ASSY., GEAR, INCLUDES (32 & 54) | 1 |
| ASSY | 0H56810193 | SENSOR ASSY., OIL(INCL 33,34, & 35) | 1 |
| ASSY | 0H56810206 | COVER ASSY., CAMSHAFT(INCL. 45 & 46) | 1 |
| ASSY. | 0H56810179 | ROCKER ARM, VALVE, INCLUDES (10,11,12, & 14) | 2 |
| ASSY. | 0H56810191 | COVER ASSY., CRANKSHAFT TANK (INCL. 28,29) | 1 |
| 2 | 0H56810205 | BOLT, HEX FLANGE, M5*10 | 5 |
| 3 | 0H56810207 | GUARD, SPARK PLUG | 1 |
| 4 | 0H56810177 | COVER, VALVE | 1 |
| 5 | 0H56810178 | GASKET, VALVE COVER | 1 |
| 13 | 0H56810180 | PUSH-ROD, VALVE | 2 |
| 15 | 0H8097 | SPARK PLUG | 1 |
| 16 | 0H56810189 | BEARING, DEEP GROOVE BALL | 2 |
| 17 | 0H56810182 | CRANKSHAFT & CONNECTING ROD ASSY. | 1 |
| 18 | 0H56810186 | PISTON | 1 |
| 19 | 0H56810185 | RING, OIL | 1 |
| 20 | 0H56810183 | COMPRESSION RING, BOTTOM | 1 |
| 21 | 0H56810184 | COMPRESSION RING, TOP | 1 |

| ITEM | PART NO. | DESCRIPTION | QTY. |
|------|------------|----------------------------------|------|
| 22 | 0H56810187 | PIN, PISTON | 1 |
| 23 | 0H56810188 | RETAINER (CIRCLIP), PISTON PIN | 2 |
| 27 | 0H56810192 | SEAL, CRANKSHAFT OIL (15*27*5) | 1 |
| 30 | 0H43470285 | OIL ASSY., TRIGGER | 1 |
| 31 | 0H56810203 | BOLT, HEX FLANGE M5*40 | 1 |
| 32 | 0H56810204 | BOLT, HEX FLANGE M5*18 | 12 |
| 36 | 0H56810208 | SPRING CLIP | 1 |
| 37 | 0H56810195 | GASKET, EXHAUST PIPE | 1 |
| 38 | 0H56810201 | WINDSHIELD | 1 |
| 39 | 0H56810194 | PIPE, EXHAUST | 1 |
| 40 | 0H56810116 | BOLT, HEX FLANGE, M5*25 | 2 |
| 47 | 0H56810196 | TAPPET, VALVE | 2 |
| 48 | 0H56810197 | PIN, CAMSHAFT | 2 |
| 49 | 0H56810209 | GEAR, TIMING | 1 |
| 50 | 0H56810199 | CAMSHFT GEAR ASSY., EXH VALVE | 1 |
| 51 | 0H56810210 | CAMSHFT GEAR ASSY., INTAKE VALVE | 1 |
| 52 | 0H56810198 | GASKETS, CAMSHAFT | 2 |
| 53 | 0H56810190 | GUIDE PIN, CASE BODY | 2 |
| 55 | 0H56810202 | BEARING, OIL RETAINING | 2 |