



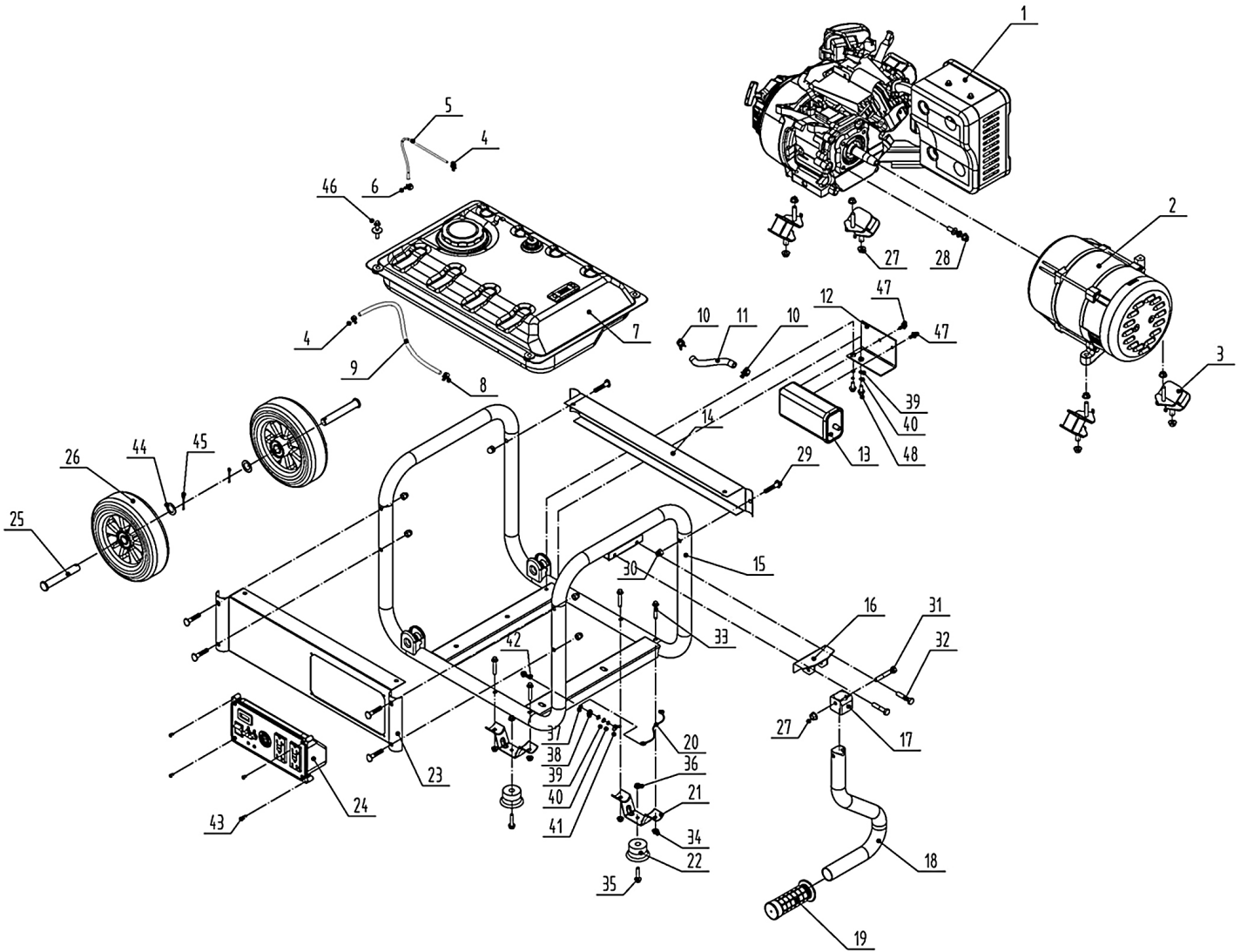
Parts Manual

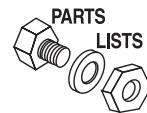
GP3300 208cc (Model 0064320)

NOTICE!

The information in this manual is known to be accurate as of the date of release shown on the cover. However, engineering changes can occur without notice. To obtain the proper parts, please be sure to use the serial number of the unit being serviced when ordering from this manual. Always refer to any parts notes and changes before ordering. All other parts not shown in this manual can be found on Generac's exploded view drawings online on GENservice at www.generac.com.

Unit

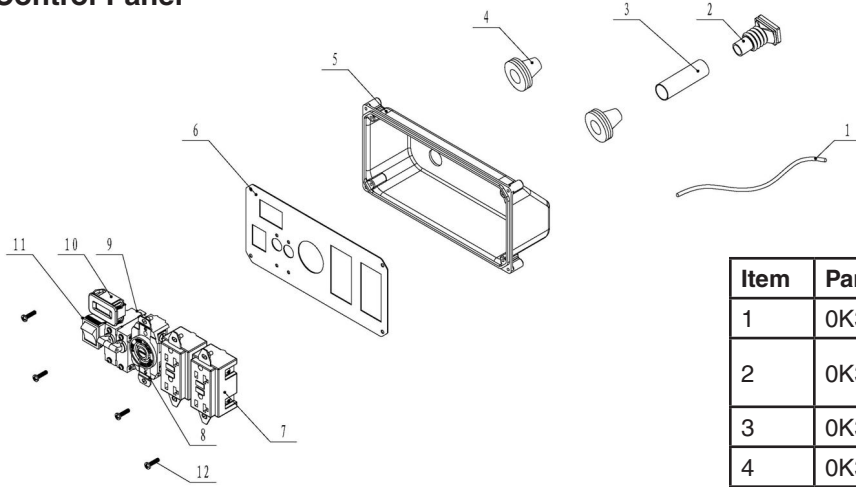




| Item | Part # | Qty | Description |
|------|-------------|------|--------------------------|
| 1 | 0J5628J | 1 | ENGINE W/MUFFLER |
| 2 | 0K3343 | 1 | ALTERNATOR ASSY. |
| 3 | 0H3415 | 4 | MOUNTS, VIBRATION |
| 4 | 0H33750173 | 2 | CLAMP, 07 |
| 5 | 0K33920110 | 1 | HOSE, EVAPORATION |
| 6 | 0K33910111 | 1 | CLAMP, 011 |
| 7 | 0K14890SRV | 1 | TANK ASSY., FUEL |
| 8 | 0J08180222 | 1 | CLAMP, 08 |
| 9 | 0J6626 | 0.16 | HOSE, FUEL |
| 10 | 0K33920111 | 2 | CLAMP, 013 |
| 11 | 0J6560 | 0.22 | PIPE, FUEL |
| 12 | 0K28980ST15 | 1 | BRACKET, CARBON CANISTER |
| 13 | 0J6635 | 1 | CANISTER, CARBON |
| 14 | 0K28750ST15 | 1 | BRACKET, REAR TANK |
| 15 | 0K28710ST15 | 1 | FRAME ASSY. |
| 16 | 0H3408AST15 | 1 | BRACKET, HANDLE (FIXED) |
| 17 | 0H3396A | 1 | GASKET, HANDLE |
| 18 | 0H3394AST15 | 1 | HANDLE |
| 19 | 0J6631A | 1 | COVER, HANDLE |
| 20 | 0K33910112 | 1 | WIRE, GROUND |
| 21 | 0J9354AST03 | 2 | BRACKET, FOOT |
| 22 | 0J8836 | 2 | FOOT, ISOLATOR |
| 23 | 0K28720ST15 | 1 | BRACKET, FRONT TANK |
| 24 | 0K33920112 | 1 | PANEL, CONTROL |

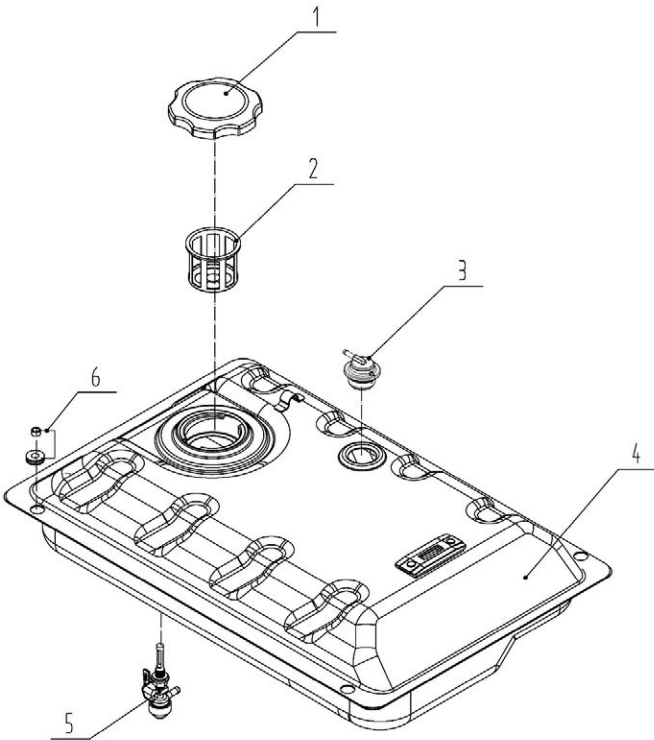
| Item | Part # | Qty | Description |
|------|------------|-----|-----------------------|
| 25 | 0K2873 | 2 | AXLE |
| 26 | 0H3392 | 2 | WHEEL |
| 27 | 0J08180243 | 9 | NUT, FLANGED, M8 |
| 28 | 0K33910114 | 4 | BOLT, FLANGED M8X25 |
| 29 | 0K33910115 | 6 | BOLT, TANK BRACKET |
| 30 | 0K33910116 | 6 | NUT, ACORN, M8 |
| 31 | 0K33910117 | 1 | BOLT, FLNG, M8X55 |
| 32 | 0H33750248 | 2 | BOLT, FLNG, M8X40 |
| 33 | 0K33910118 | 4 | BOLT, FLNG, M8X45 |
| 34 | 0K33910119 | 4 | NUT, FLNG, M8(BLACK) |
| 35 | 0K33910120 | 2 | BOLT, FLNGM6X28 |
| 36 | 0K33910121 | 2 | NUT, FLNG, M6(BLACK) |
| 37 | 0J08180249 | 1 | WASHER, STAR LOCK 06 |
| 38 | 0H33750171 | 1 | NUT, FLNG, M6(BLACK) |
| 39 | 0J08180248 | 4 | WASHER, FLAT, 06 |
| 40 | 0J08180235 | 3 | WASHER, SPRING 06 |
| 41 | 0K33910122 | 1 | NUT, BUTTERFLY, M6 |
| 42 | 0K33910123 | 1 | BOLT, FLNG, M6X20 |
| 43 | 0J08180250 | 4 | SCREW, FILLISTER HEAD |
| 44 | 0K33910124 | 2 | WASHER, FLAT 016 |
| 45 | 0K33910125 | 2 | PIN, COTTER, 4X30 |
| 46 | 0K33910126 | 4 | BOLT, FLAG, M8X25 |
| 47 | 0H33750126 | 2 | BOLT, FLNG, M6X12 |
| 48 | 0K33920113 | 2 | BOLT, FLNG, M6X14 |

Control Panel



| Item | Part # | Qty | Description |
|------|------------|-----|-------------------------|
| 1 | 0K33920114 | 1 | WIRE |
| 2 | 0K33910128 | 1 | BUSHING, WIRE PROTECTOR |
| 3 | 0K33910129 | 1 | SLEEVING, PVC |
| 4 | 0K33910130 | 2 | PLUG, TAPPER |
| 5 | 0K2900 | 1 | COVER, REAR CNTL PNL |
| 6 | 0K33920115 | 1 | PLATE, CNTL PNL FACE |
| 7 | 0K33920116 | 2 | GFCI OUTLETS 120V 20A |
| 8 | 0K33910133 | 1 | OUTLET, 60HZ, 240V |
| 9 | 0H3417 | 1 | BREAKER, CIRCUIT |
| 10 | 0K33910135 | 1 | METER, HOUR |
| 11 | 0H33750287 | 1 | SWITCH, ON/OFF |
| 12 | 0K33910136 | 4 | SCREW, ST4.2X15 |

Fuel Tank



| Item | Part # | Qty | Description |
|-----------|-------------|-----|----------------------------|
| 1 | 0H0958 | 1 | FUEL TANK CAP |
| 2 | 0H1326 | 1 | FUEL TANK FILTER |
| 3 | 0J7921 | 1 | ROV |
| 4 | 0K14900ST03 | 1 | WELDMENT, FUEL TANK |
| 5 | 0H3384 | 1 | FUEL SWITCH |
| 6 | 0J6679 | 4 | FUEL TANK SHOCK ABSORPTION |
| NOT SHOWN | 0H1345G | 1 | FUEL GAUGE |