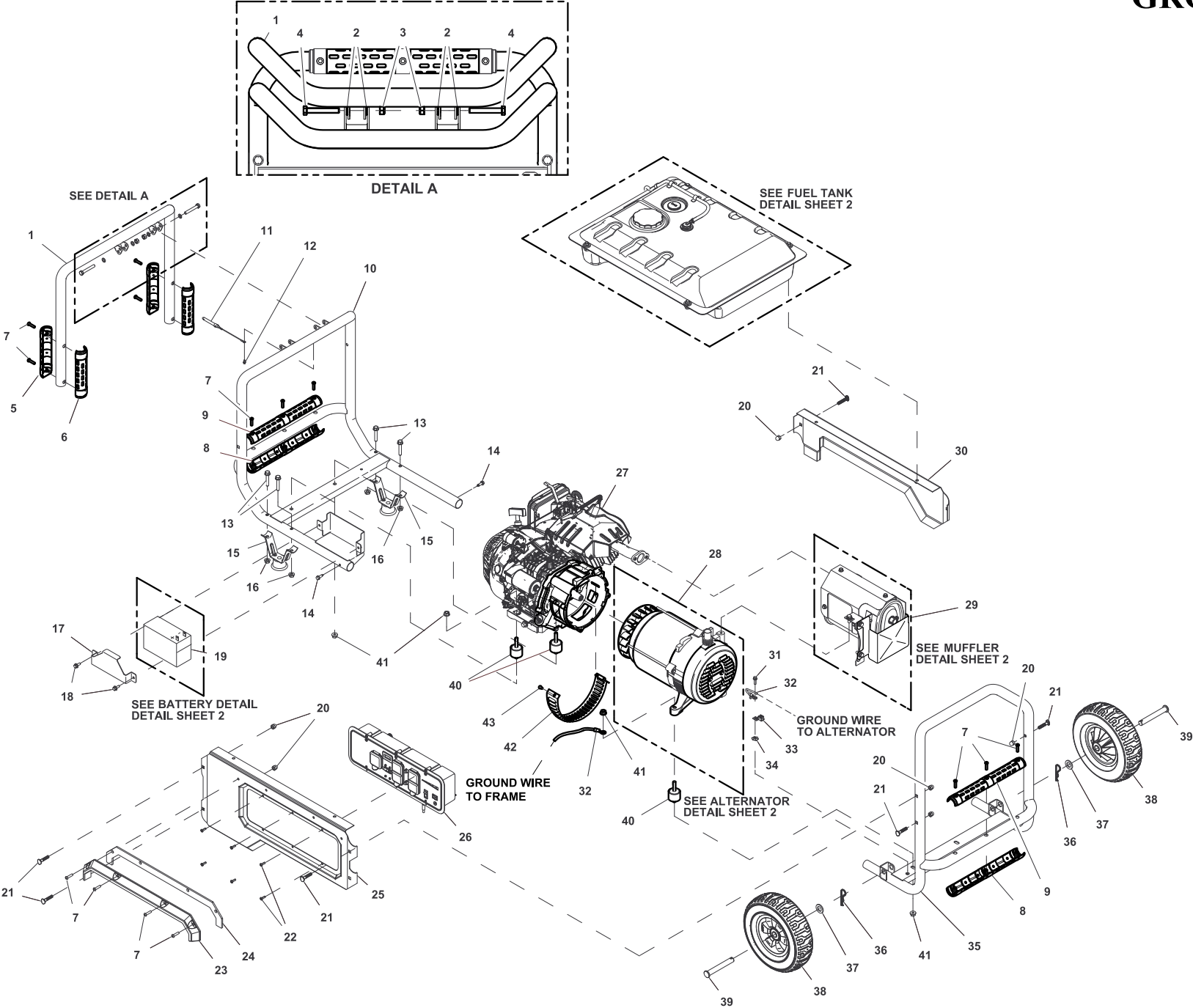
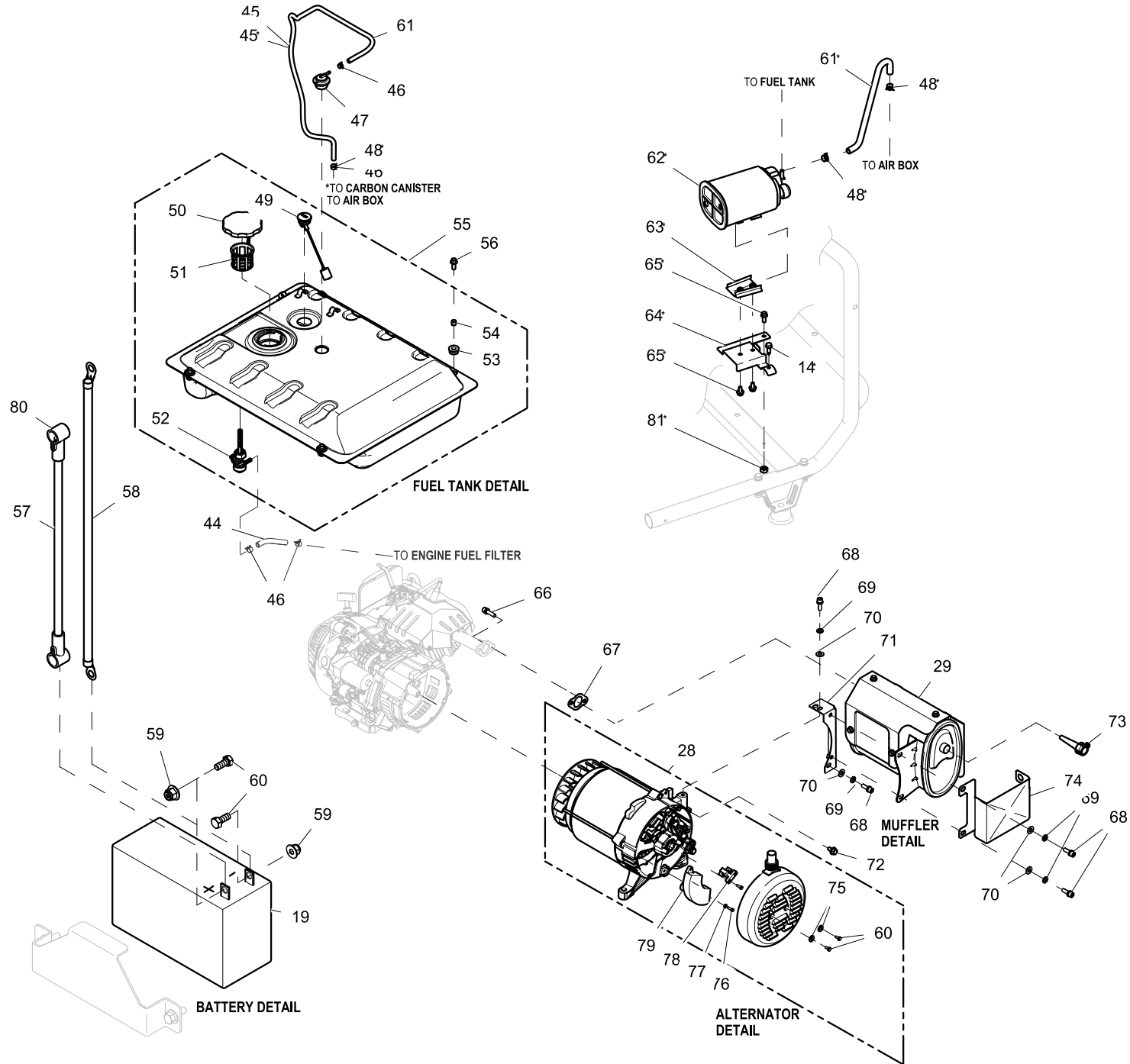


GROUP B





*CARB MODELS ONLY

EXPLODED VIEW: EV XT8000E

DRAWING #: 0K3609

APPLICABLE TO:

GROUP EV

| ITEM | PART# | QTY. | DESCRIPTION |
|------|-------|------|-------------|
|------|-------|------|-------------|

PAGE 1

| | | | |
|----|-------------|----|--------------------------------|
| 1 | 1000013350 | 1 | ST03 XT HANDLE |
| 2 | 0K3431 | 4 | WASHER FLAT M8 NYLON |
| 3 | 049820 | 2 | NUT HEX LOCK M8-1.25 NY INS |
| 4 | 0J3317 | 2 | SCREW HHC M8-1.25X55 8.8 BL ZP |
| 5 | 0K2868.ASM | 2 | HANDLE GRIP - TOP XT |
| 6 | 0K2869 | 2 | HANDLE GRIP - BOTTOM XT |
| 7 | 0K3147 | 14 | SCREW BHSC M6-1.0 X 25 BLACK |
| 8 | 0K2860 | 2 | GRAB BAR GRIP - TOP |
| 9 | 0K2861 | 2 | GRAB BAR GRIP - BOTTOM |
| 10 | 10000013103 | 1 | ST03 XT CRADLE ENGINE HALF |
| 11 | 0K3399 | 1 | PIN QUICK RELEASE XT |
| 12 | G045764 | 1 | SCREW HHTT M4-0.7 X 8 ZP |
| 13 | 0H1779 | 4 | SCREW HHFC M8-1.25 X 45 |
| 14 | 0L2176 | 2 | SCREW HHSD PREMIUM 1/4-14X1 BZ |
| 15 | 0K3242 | 2 | FOOT ASSY XT |
| 16 | 0J9125 | 4 | NUT HEX FL WHIZ M8-1.25 |
| 17 | 0J6418 | 1 | BRACKET BATTERY HOLD DOWN GP |
| 18 | 0G0926 | 2 | SCREW HHFCS M6-1 X 16 G8.8 |
| 19 | 0G9449 | 1 | BATTERY 12V SEALED |
| 20 | 0H1782 | 6 | CAP NUT M8-1.25 BLACK ZINC |
| 21 | 0K2857 | 6 | CURVE HD SQ NECK M8-1.25X41LNG |
| 22 | 0K3130 | 12 | SCREW PPPH M5-0.8 X 16 BZC |
| 23 | 0K2865 | 1 | VISOR PLASTIC - XT |
| 24 | 0K2866 | 1 | VISOR GASKET - XT |
| 25 | 0K21500 | 1 | SIDE PANEL, CONTROL, XT |
| 26 | 0K2144 | 1 | CONTROL PANEL ASSEMBLY XT8000E |
| 27 | 0H9838D | 1 | ENGINE 420 ES W/O MFLR EPA PH3 |
| 28 | 0K0755 | 1 | ALT 7500W ALUMINUM BRUSH TYPE |
| 29 | 0H9763B | 1 | ASSY MUFFLER GP 7.5KW LONCIN |
| 30 | 0K2858 | 1 | SIDE PANEL EXHAUST SIDE XT |
| 31 | 0G3110 | 1 | SCREW HHTT M6-1.0 X 20 ZINC |
| 32 | 0742600186 | 1 | GROUND WIRE BRG CAR-LUG 4KW |
| 33 | G055414 | 1 | LUG SLDLSS #2-#8 X 17/64 CU |
| 34 | 0A1658 | 1 | WASHER LOCK SPECIAL 1/4" |
| 35 | 10000013243 | 1 | ST03 XT CRADLE ALTERNATOR HALF |
| 36 | 0H3443 | 2 | COTTER HAIRPIN 2.56 X .80 |
| 37 | 0A1646 | 2 | WASHER FLAT M16 |
| 38 | 0H9589B | 2 | WHEEL 10D X 3 NVR FLT XT8 |
| 39 | 0J9808 | 2 | AXLE PIN 5/8X4 1/2 3/4 HEAD |
| 40 | 0H2043 | 4 | VIB MOUNT 35 X 12 X M8-1.25 |
| 41 | G067989 | 8 | NUT HEX FL WHIZ M8-1.25 |
| 42 | 0J6460 | 1 | SCROLL ALTERNATOR GP |
| 43 | G045770 | 1 | SCREW HHC M5-0.8 X 10 C8.8 |

PAGE 2

| | | | |
|-----|------------|---|---------------------------------|
| 44 | 0G9757A | 1 | FUEL HOSE 4 ID X 8.00D X 55MM |
| 45 | 0K2925 | 1 | HOSE FORMED ROV-AIRBOX 420CC |
| 46 | 048031G | 3 | CLAMP HOSE BAND .41 |
| 47 | 0J7921 | 1 | ASSEMBLY ROV |
| 48 | 048031C | 1 | CLAMP HOSE BAND .50 |
| 48* | 048031C | 2 | CLAMP HOSE BAND .50 |
| 49 | 0H9005A | 1 | FUEL GAUGE 150 MM LONG ARM |
| 50 | 0H0958A | 1 | ASSY GAS CAP SEALED - BLACK |
| 51 | 0H1326 | 1 | STRAINER, FUEL CAP |
| 52 | 0J0974 | 1 | VALVE FUEL SHUTOFF |
| 53 | 0H1411B | 4 | RUBBER MOUNT 10.3 ID X 11 HGT |
| 54 | 0H1610A | 4 | ANTI-CRUSH 10.80D 9ID 10LG |
| 55 | 0H7591B | 1 | FUEL TANK ASSY 8 GAL XT |
| 56 | 0G5445 | 4 | SCREW HHTT M8-1.25 X 20 |
| 57 | 0742600198 | 1 | WIRE ASSY 8GA 11" RED |
| 58 | 0742600199 | 1 | WIRE ASSY 8GA 17"; BLACK |
| 59 | 0H3535 | 2 | NUT FLANGE M5-0.8 NYLOCK |
| 60 | G052618 | 2 | SCREW HHC M5-0.8 X 12 C8.8 |
| 61* | 0K3542 | 1 | HOSE FORMED ROV-CANISTER 420CC |
| 62* | 0H0957 | 1 | CARBON CANISTER |
| 63* | 0K35140 | 1 | CARBON CANISTER MOUNT XT |
| 64* | 0K35120 | 1 | CARB CAN CRADLE BRACKET XT_INST |
| 65* | 0C8563 | 3 | SCREW HHFC M6-1.0 X 12 G8.8 |
| 66* | G039253 | 2 | SCREW HHC M8-1.25 X 20 C8.8 |
| 67 | 0G9028 | 1 | GASKET, EXHAUST, 389CC |
| 68* | G042909 | 4 | SCREW HHC M8-1.25 X 30 C8.8 |

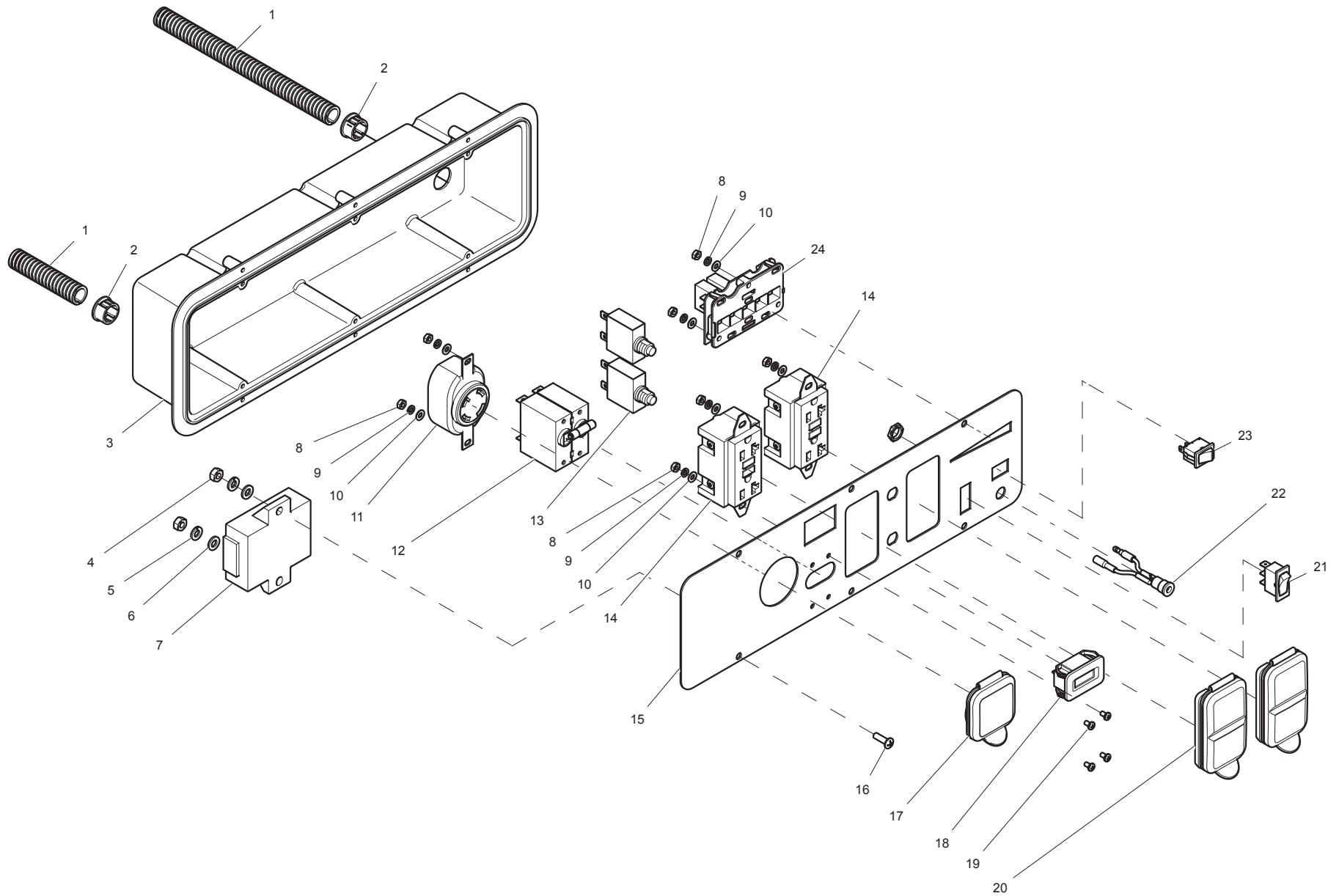
EXPLODED VIEW: EV XT8000E

DRAWING #: 0K3609

APPLICABLE TO:

GROUP EV

| ITEM | PART# | QTY. | DESCRIPTION |
|------|---------|------|------------------------------|
| 69 | G022129 | 6 | WASHER LOCK M8-5/16 |
| 70 | G022145 | 4 | WASHER FLAT 5/16-M8 ZINC |
| 71 | 0G8542 | 1 | BRACKET, MUFFLER 389CC |
| 72 | 0G0919 | 1 | SCREW HHFCS M6-1 X 12 G8.8 |
| 73 | 0K3857 | 1 | SPARK ARRESTOR ASSY USFS |
| 74 | 0K4731 | 1 | HEAT SHIELD |
| 75 | G049226 | 8 | WASHER LOCK M5 |
| 76 | G049815 | 5 | SCREW HHC M5-0.8 X 16 G8.8 |
| 77 | G051713 | 9 | WASHER FLAT M5 |
| 78 | 0H0919 | 1 | ASSEMBLY,BRUSH |
| 79 | 0H2579B | 1 | AVR 5.5-7.5KW VISION ALT |
| 80 | 0G6392 | 2 | BOOT, VINYL STARTER-SOLENOID |
| 81* | 0B2236 | 1 | NUT HEX LOCK M6-1 NY INS |



| ITEM | PART | QTY. | DESCRIPTION |
|------|---------|---------|------------------------------|
| 1 | 077043B | 1.09 FT | CONDUIT FLEX .50"ID |
| 2 | 0A5489 | 2 | SNAP BUSHING.75 OPEN |
| 3 | 0K2151 | 1 | CONTROL PANEL BACK BOX |
| 4 | 049813 | 2 | NUT HEX M6-1.0 G8 CLEAR ZINC |
| 5 | 070005 | 2 | WASHER LOCK M6 SS |
| 6 | 070007 | 2 | WASHER FLAT M6 SS |
| 7 | 0K2914 | 1 | CONTROLLER IDLE CONTROL |
| 8 | 051715 | 9 | NUT HEX M4-0.7 G8 YEL CHR |
| 9 | 078437 | 9 | WASHER LOCK #8-M4 SS |
| 10 | 043180 | 9 | WASHER FLAT M4 |
| 11 | 0H2929 | 1 | OUTLET 30A 120/250V SPCGR |
| 12 | 0G9023C | 1 | CB 0030A 2P 240V C AA2 QT |
| 13 | 0H0265C | 2 | CB 20A 1P CUL/CSA |
| 14 | 0D4966 | 2 | OUTLET 20A 120V GFCI GF20BK |
| 15 | 0K2152 | 1 | WLDMNT CTRL PNL PLATE XT |
| 16 | 0K3130 | 6 | SCREW PPPH M5-0.8 X 16 |
| 17 | 0G9391 | 1 | COVER, 30A 120/240V |
| 18 | 0G8321 | 1 | HOUR METER W/ALERTS AC/DC |
| 19 | 036900 | 4 | SCREW PPHM #6-32 X 1/4 |
| 20 | 0G9392 | 2 | COVER, 20A 120V GFCI/DUPLEX |
| 21 | 0G9549 | 1 | SWITCH SPDT (ON)-OFF-ON 20A |
| 22 | 0J4959 | 1 | ASSY 12VDC CHARGER INPUT GP |
| 23 | 087968 | 1 | SWITCH, ROCKER -/0 |
| 24 | 0H3362D | 1 | TRULOAD POWERBAR ASSY 8.0KW |