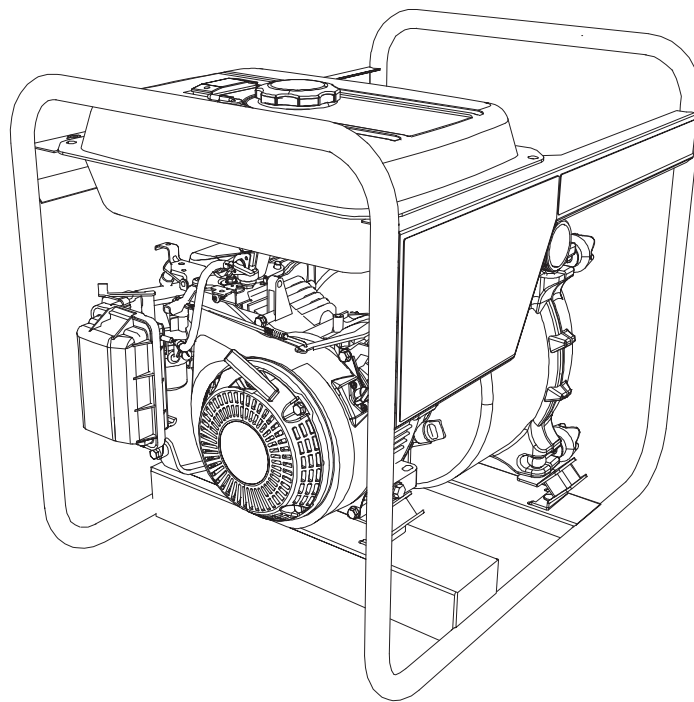


T20-S 2 Inch Trash Pump *Parts Manual (Model 69200)*



NOTICE!

The information in this manual is known to be accurate as of the date of release shown on the cover. However, engineering changes can occur without notice. To obtain the proper parts, please be sure to use the serial number of the unit being serviced when ordering from this manual. Always refer to any parts notes and changes before ordering. All other parts not shown in this manual can be found on Generac's exploded view drawings online on GENservice at www.generac.com.

www.generac.com or 1-888-GENERAC

⚠ WARNING

California Proposition 65. Engine exhaust and some of its constituents are known to the state of California to cause cancer, birth defects, and other reproductive harm.

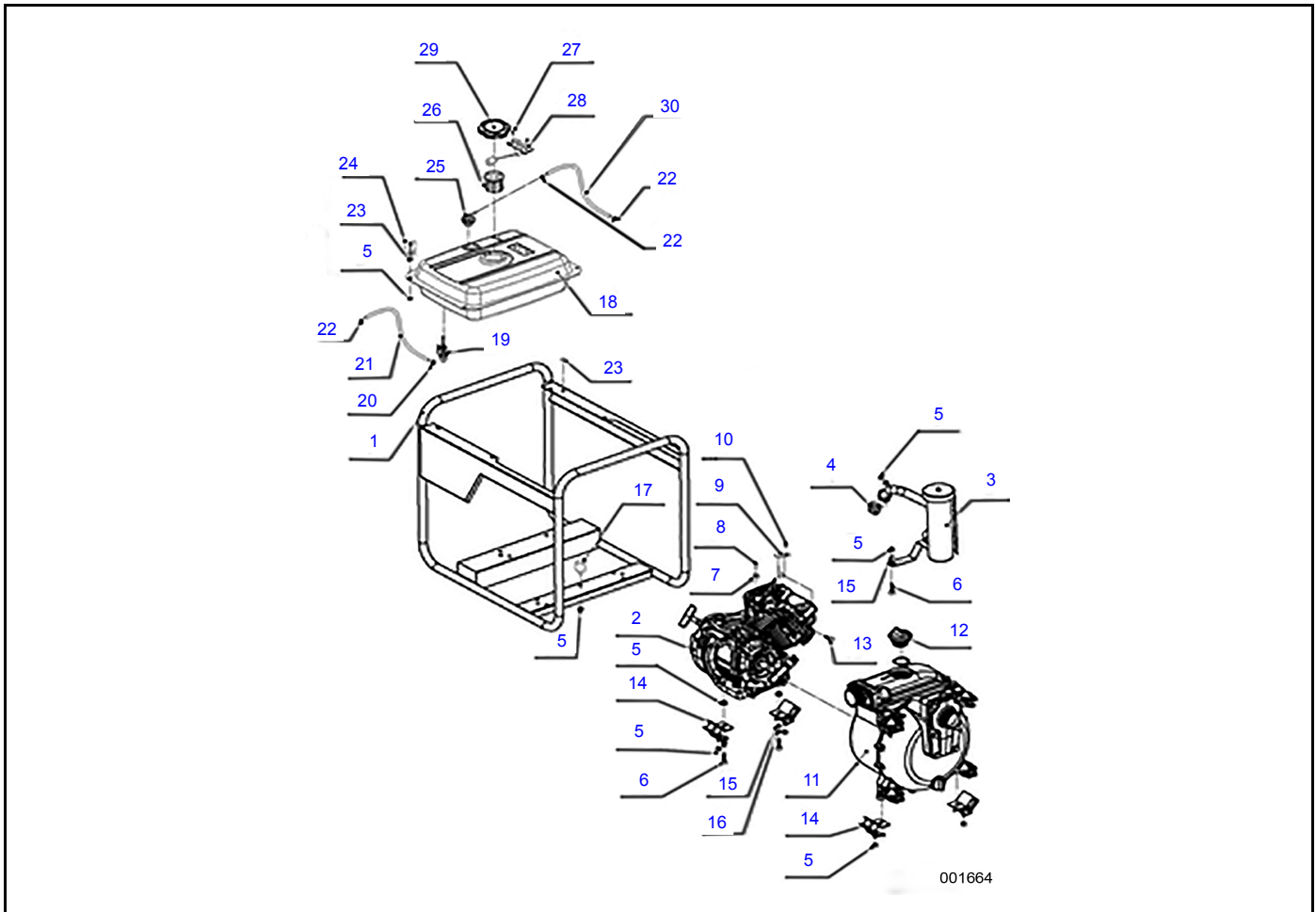
(000004)

⚠ WARNING

California Proposition 65. This product contains or emits chemicals known to the state of California to cause cancer, birth defects, and other reproductive harm.

(000005)

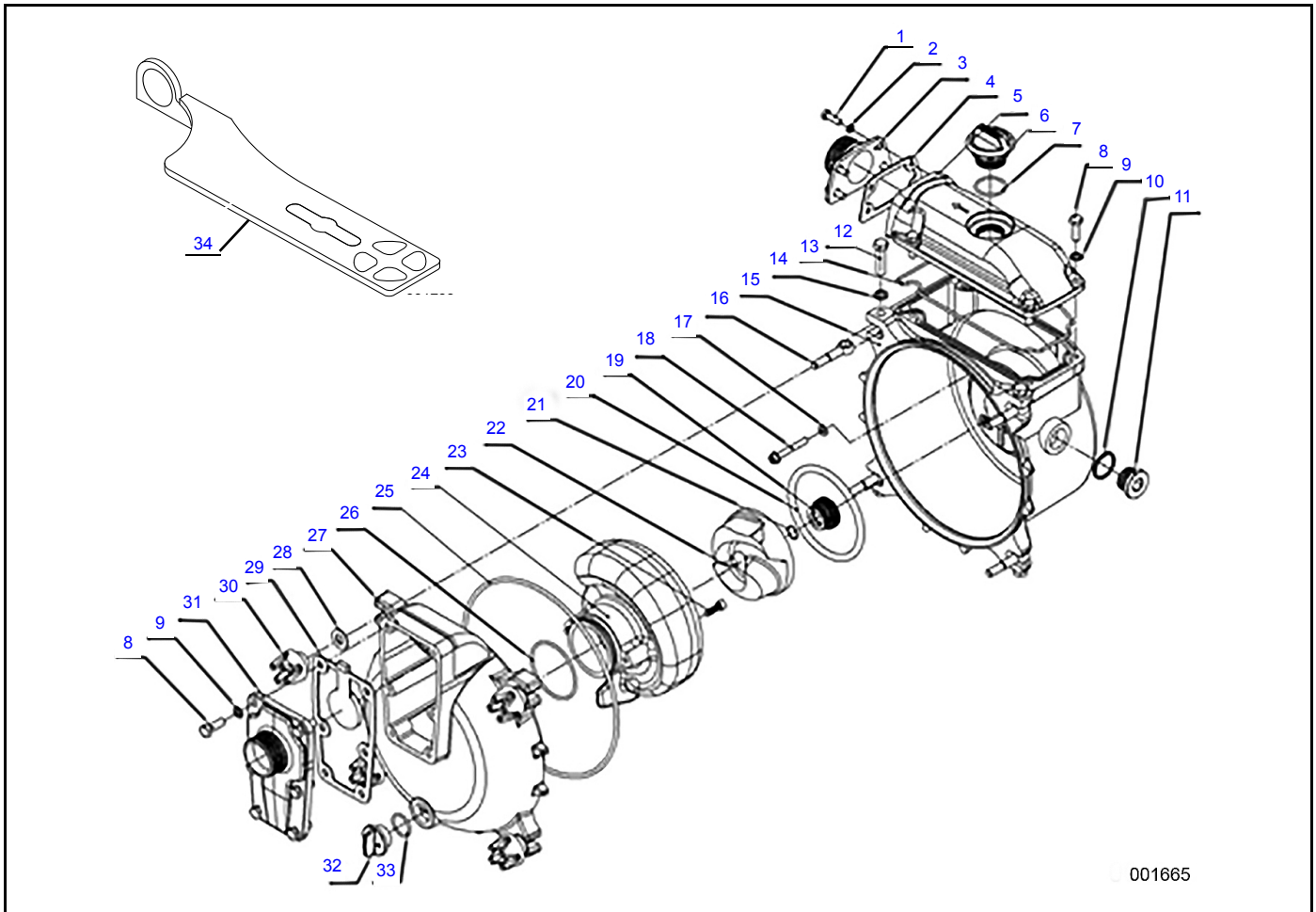
TRASH PUMP UNIT



ITEM	PART NO.	DESCRIPTION	QTY
1	0L63370110	TRASH PUMP FRAME	1
2	0L4798	SP21 ENGINE FOR 2" TRASH PUMP	1
3	0L63360111	MUFFLER	1
4	0L63360112	MUFFLER GASKET	1
5	0J08180243	NUT (M8)	14
6	0H33750248	BOLT (M8X40)	3
7	0L63370146	SPACER	1
8	0K33910123	BOLT (M6X20)	1
9	0L63370147	AIR DUCT BRACKET	1
10	0H33750126	BOLT (M6X12)	1
11	0L63370001	2" TRASH PUMP ASSEMBLY	1
12	0L63370111	EASY PRIME 2" TRASH PUMP CAP	1
13	0K96270114	BOLT (M8X12)	1
14	0L63370112	VIBRATION MOUNT	4
15	0J08180246	LARGE FLAT WASHER	3
16	0J08180230	SPRING WASHER	2
17	0L63370113	CYLINDER VIBRATION MOUNT	1

ITEM	PART NO.	DESCRIPTION	QTY
18	0K95700143	FUEL TANK (11.5L)	1
19	0H3384	FUEL SHUT OFF VALVE	1
20	0J08180222	CLAMP	1
21	0J6626	FUEL HOSE EPA/CARB	0.26
22	0H33750173	CLAMP	3
23	0K95700149	FUEL TANK SHOCK ABSORBER	5
24	0K33910126	FLANGE BOLT W/WASHER COMBO (M8X25)	4
25	0L47960121	ROLL OVER VALVE	1
26	0K95700145	FUEL FILTER (IN TANK)	1
27	0K95700147	SCREW (M5X15)	2
28	0K95700151	FUEL GAUGE	1
29	0K95700152	FUEL CAP	1
30	0K95700148	FUEL HOSE (4.5 MM)	0.82

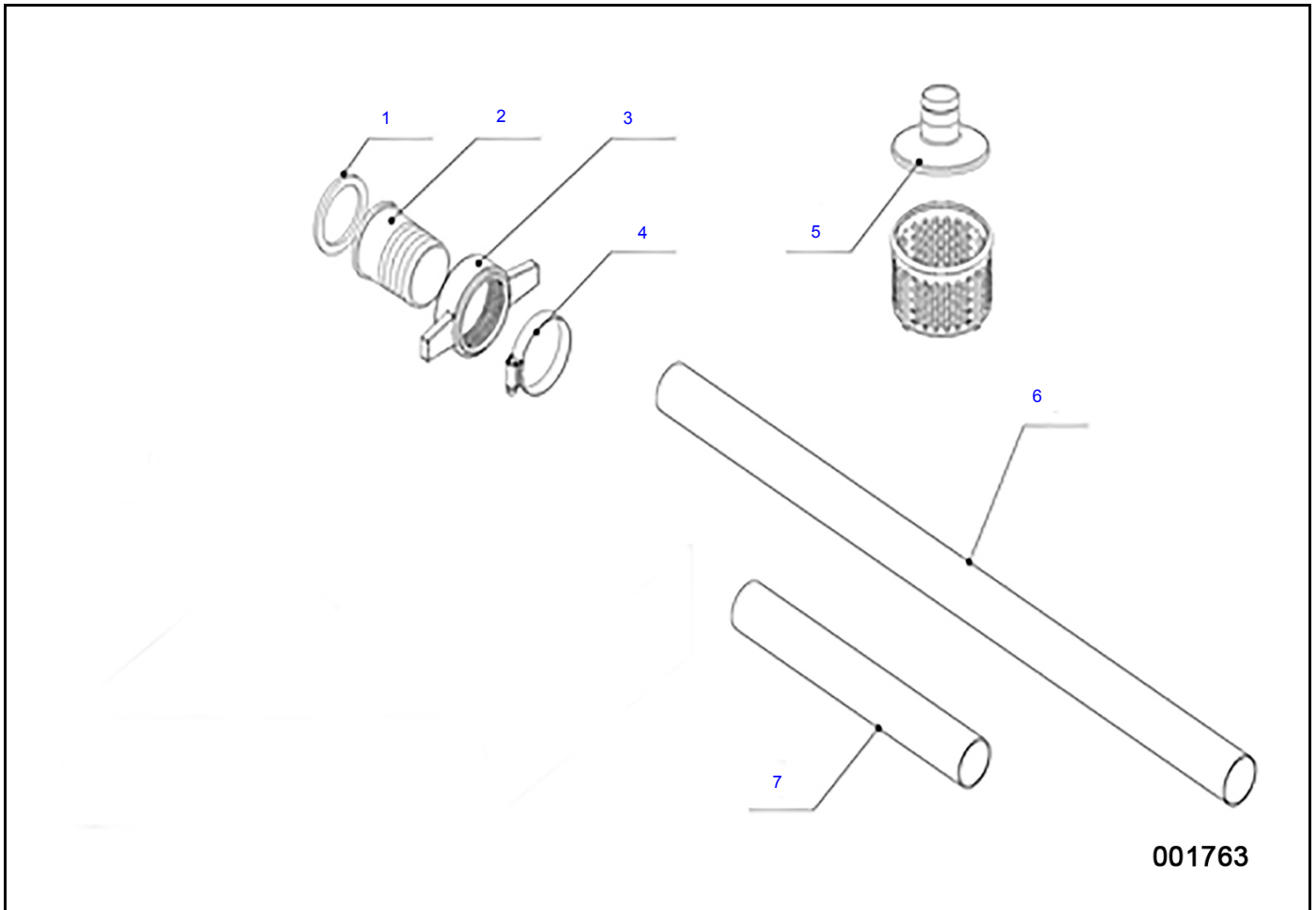
TRASH PUMP ASSEMBLY



ITEM	PART NO.	DESCRIPTION	QTY
1	0L63340143	BOLT (M8X25)	4
2	0L63340141	SPRING WASHER	4
3	0L63370114	DISCHARGE FLANGE	1
4	0L63370115	DISCHARGE FLANGE GASKET	1
5	0L63370116	DISCHARGE FLANGE VALVE SEAT	1
6	0L63370111	EASY PRIME CAP 2"	1
7	0L63370118	EASY PRIME CAP O-RING 2"	1
8	0L63370119	BOLT (M10X30)	10
9	0L63370120	SPRING WASHER	10
10	0L63370121	HEX SOCKET PLUG G1-11	1
11	0L63370122	PLUG G1-11 SEALING GASKET	1
12	0L63370123	BOLT (M12X45)	4
13	0L63370124	DISCHARGE VALVE SEALING GASKET	1
14	0L63370125	SPRING WASHER	4
15	0L63370126	PUMP COVER	1
16	0L63370127	SWING BOLT (M12)	4
17	0L63370128	ALUMINUM GASKET	4

ITEM	PART NO.	DESCRIPTION	QTY
18	0L63370129	BOLT (M8X1.25X60)	4
19	0L63370130	MECHANICAL SEAL	1 SET
20	0L63370131	VOLUTE O-RING 1	1
21	0L63370132	ADJUSTING SHIM	1
22	0L63370133	IMPELLER (M18X1.25)	1
23	0L63370134	BOLT (M8X30)	2
24	0L63370135	TRASH PUMP VOLUTE (2")	1
25	0L63370136	PUMP BODY O-RING	1
26	0L63370137	VOLUTE O-RING 2	1
27	0L63370138	PUMP HOUSING	1
28	0L63370139	GASKET 15	4
29	0L63370140	FLAP VALVE	1
30	0L63370141	CASTLE NUT (M12)	4
31	0L63370142	INTAKE VALVE SEAT	1
32	0L63370143	PLUG G1-11	1
33	0L63370144	PLUG G1-11 O-RING	1
34	0L63370145	CASTLE NUT TOOL (FOR USE ON ITEM 30)	1

HOSES & HARDWARE



ITEM	PART NO.	DESCRIPTION	QTY
1	0K95700132	O-RING	2
2	0K95700153	HOSE BARB	2
3	0K95700134	JOINT GRIP	2
4	0K95700154	CLAMP	3
5	0K95700137	HOSE FILTER NET	1
6	0K95700138	DISCHARGE HOSE (2 INCH X 25 FEET)	1
7	0K95700136	SUCTION HOSE (2 INCH X 12 FEET)	1

Part No. 0L6337PMNL Rev. A 02/22/2016 Printed in USA
© Generac Power Systems, Inc. All rights reserved
Specifications are subject to change without notice.
No reproduction allowed in any form without prior written
consent from Generac Power Systems, Inc.

GENERAC[®]


Generac Power Systems, Inc.
S45 W29290 Hwy. 59
Waukesha, WI 53189
1-888-GENERAC (1-888-436-3722)
generac.com