



# *GP6500 Portable Generator*

## *Parts Manual*

*Model: G0076720*

 **WARNING**

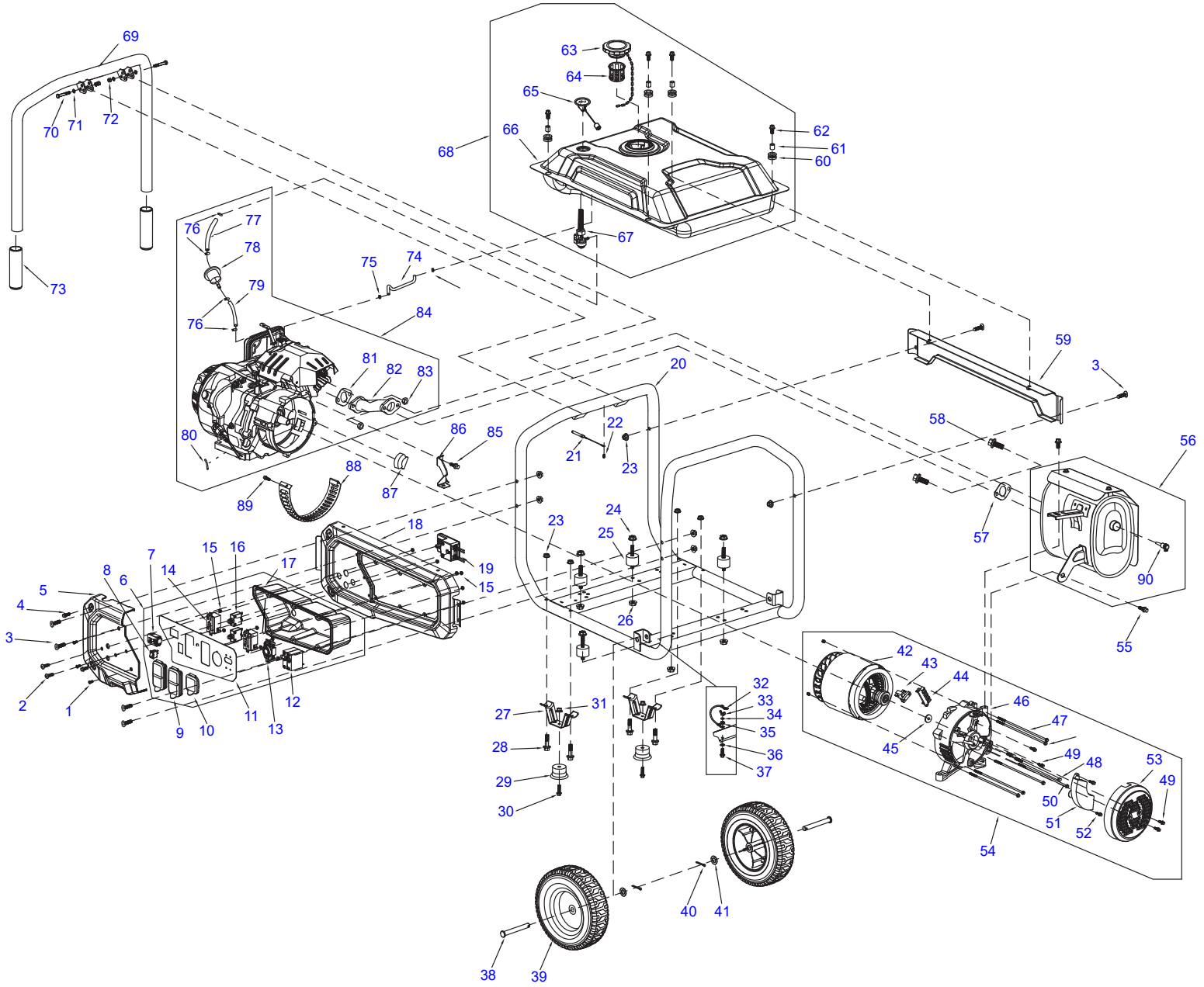
**CANCER AND REPRODUCTIVE HARM**

[www.P65Warnings.ca.gov](http://www.P65Warnings.ca.gov)

(000393a)

The information in this manual is known to be accurate as of the date of release shown on the cover. However, engineering changes can occur without notice. To obtain the proper parts, be sure to use the serial number of the unit being serviced when ordering from this manual. Always refer to any part notes and changes before ordering. All other parts not shown in the manual can be found on Generac's exploded view drawings at [www.generac.com](http://www.generac.com) or by contacting your local authorized dealer.

**[www.generac.com](http://www.generac.com) or 1-888-GENERAC**



008433

ITEM	PART NO.	DESCRIPTION	QTY
1	10000035906	BOLT (M5X16MM)	3
2	10000035907	BOLT (M5X15MM)	2
3	0H1780	BOLT (M8X40MM)	6
4	10000035895	BOLT (M5X12MM)	2
5	10000035896	COVER CONTROL PANEL	1
6	10000035927	CONTROL PANEL ASSEMBLY	1
7	0G8321	HOUR METER	1
8	10000035960	ENGINE SWITCH	1
9	0G9392	OUTLET COVER	2
10	0G9391	OUTLET COVER	1
11	10000035941	CONTROL PANEL FACE PLATE	1
12	0G9023C	CIRCUIT BREAKER (30A)	1
13	0K95240111	SOCKET (L14-30R)	1
14	10000028117	OUTLET (DUPLEX GFCI)	2
15	0J86620108	NUT (M4)	12
16	0H0265C	CIRCUIT BREAKER (20A)	2
17	10000035898	CONTROL PANEL BACK COVER (BLACK)	1
18	10000035899	CONTROL SIDE PANEL	1
19	10000046048	KIT-CO SENSE MODULE	1
20	10000035928	FRAME	1
21	10000028186	CHAIN AND LOCKING PIN	1
22	10000028212	BOLT (M4X8MM)	1
23	0K0098	NUT (M8)	10
24	0J4029	NUT(M10X1.25)	4
25	0K09150110	VIBRATION MOUNT	4
26	0K22930127	NUT (M8)	4
27	0K00970ST03	FOOT BRACKET	2
28	G073144	BOLT (M8X45MM)	4
29	0K0099	ISOLATOR FOOT	2
30	0K09150111	BOLT (M6X28MM)	2
31	0K0105	NUT (M6)	2
32	10000035908	GROUND WIRE ASSEMBLY	1
33	0K0094	NUT (M6)	1
34	0J47870118	FLAT WASHER	1
35	0G84420196	NUT (M6)	1
36	0K0093	SPECIAL LOCK WASHER	1
37	0J35220156	BOLT (M6X20)	1
38	0H0204	AXLE PIN	2
39	0K6011	WHEEL	2

ITEM	PART NO.	DESCRIPTION	QTY
40	10000035957	COTTER PIN	2
41	10000035961	FLAT WASHER (13X2)	2
42	10000035934	ALTERNATOR	1
43	0H0919	BRUSH ASSEMBLY	1
44	0J83630111	WIRE TERMINAL	1
45	0J86620102	FLAT WASHER (M10X4MM)	1
46	0H91980171	REAR BEARING CARRIER HOUSING	1
47	0J6071	BOLT (M6X160)	4
48	0L11890110	STATOR BOLT (M5X198MM)	2
49	0J4967	BOLT (M5X12)	6
50	0L11890111	ROTOR BOLT (M10X250MM)	1
51	0H91980178	AUTOMATIC VOLTAGE REGULATOR	1
52	0J4968	STATOR BOLT (M5X16MM)	3
53	10000028206	END COVER	1
54	0K9546	ALTERNATOR ASSEMBLY	1
55	0E9470	BOLT (M8X16MM)	2
56	10000035942	MUFFLER ASSEMBLY	1
57	0J4691	MUFFLER GASKET	1
58	0E9507B	BOLT (M8X25MM)	2
59	10000035962	SIDE PANEL- EXHAUST SIDE	1
60	10000035958	RUBBER GROMMET	4
61	10000007673	ANTI-CRUSH INSERT	4
62	10000007713	BOLT (M8X25MM)	4
63	0H0958	FUEL CAP	1
64	10000035980	FUEL FILTER	1
65	0K09150113	FUEL GAUGE	1
66	ORDER ITEM 68	FUEL TANK WELDMENT	1
67	10000035909	FUEL SHUT OFF VALVE	1
68	A0000091546	FUEL TANK ASSEMBLY	1
69	10000035919	HANDLE (BENT TUBE)	1
70	10000028242	BOLT (M8X55)	2
71	10000028280	FLAT WASHER	4
72	10000028262	NUT (M8)	2
73	10000035971	HANDLE GRIPS	2
74	0J4051	HOSE	1
75	0H9838C110	HOSE CLAMP (12MM)	2
76	0J25910115	HOSE CLAMP (9MM)	4
77	0G9757A	FUEL HOSE	1
78	0G9914	FUEL FILTER	1

ITEM	PART NO.	DESCRIPTION	QTY
79	0G9757B	FUEL HOSE	1
80	10000035981	SHEATH	1
81	0G9028	EXHAUST GASKET	1
82	0J4535A	EXHAUST MANIFOLD	1
83	0J35220161	NUT (M8)	2
84	10000047790	ENGINE G390FA	1
85	0H58410163	BOLT (M6X12MM)	1
86	10000007686	AIR CLEANER BRACKET	1
87	0J86620104	BAFFLE	1
88	0H9761	DUST COVER	1
89	0J00620100	BOLT (M5X10MM)	1
90	0J5207C110	SPARK ARRESTOR	1

**NOTE:** To order replacement engine parts, see manual 10000047840.

Part No. 10000035165 Rev. B 02/26/2019  
 ©2019 Generac Power Systems, Inc.  
 All rights reserved  
 Specifications are subject to change without notice.  
 No reproduction allowed in any form without prior written  
 consent from Generac Power Systems, Inc.



Generac Power Systems, Inc.  
 S45 W29290 Hwy. 59  
 Waukesha, WI 53189  
 1-888-GENERAC (1-888-436-3722)  
[www.generac.com](http://www.generac.com)