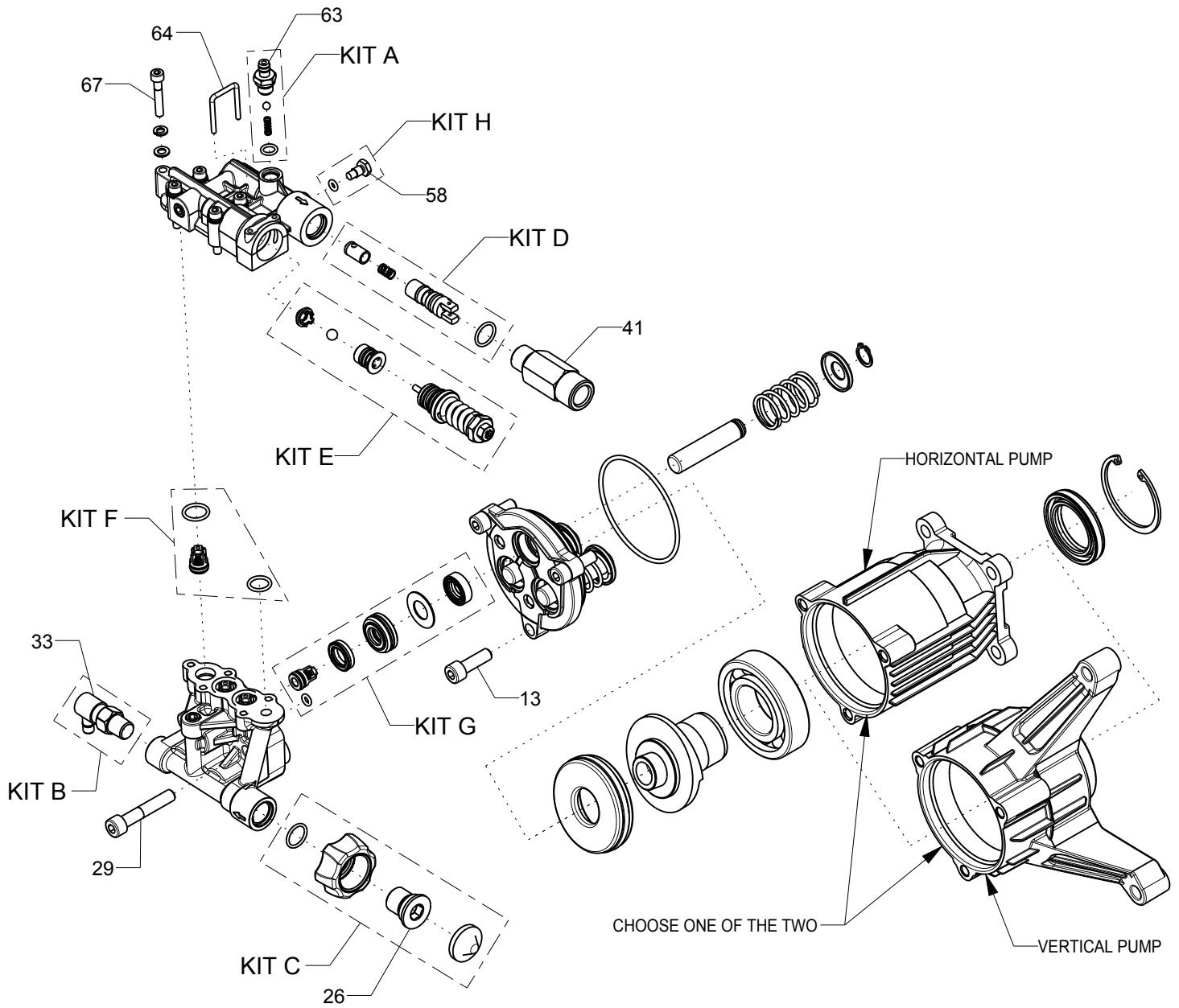


EXPLODED VIEW: EV MOD PLTFRM 2900PSI**DRAWING #: 10000045894****GROUP EV**

ITEM	PART#	QTY.	DESCRIPTION
1	0K8430	1	ENGINE
2	0L4739	1	HANDLE C-GRIP
3	10000012847	1	HANDLE KIT PW RESI NO DECAL
4	0L4738	1	HOLSTER GUN
5	0J1449	2	FASTENER RIBBED SHANK CHRSTM T
6	0H9642A	1	GUN ASSEMBLY
7	0H9640	1	LANCE ASSY-20" LONG
8	0K0921	1	HOSE 25'X1/4" W/M22 CONN
9	0J3052	1	HOOK-HOSE
10	0K9974	2	PUSH NUT
11	0J3079	4	GROMMET-NOZZLE
12	10000042074	1	KIT-NOZZLE
13	10000045893	1	DECAL NOZZLE BILLBOARD 2900
14	10000037099	1	PUMP AXIAL
15	0J3315	4	SCREW SHC M8-1.25X25 C8.8 ZP
16	G092479	4	WASHER LOCK M8 RIBBED
17	G067989	8	NUT HEX FL WHIZ M8-1.25
18	0G5442	2	SNAP BUTTON
19	10000027441	1	CRADLE KIT
20	G021217	4	VIB MOUNT
21	0L2091	1	DECAL NO NOT USE BLEACH
22	0K4078A	1	CAP CHEM TANK W/HOSE CUTOUT
23	0J3374	1	DECAL QUICK START
24	0K6007	1	DECAL QUICK START
25	10000021533	2	PIN AXLE
26	0J6276	2	WHEEL
27	G0G22704	2	WASHER
28	10000044632	1	HOSE CHEMICAL WITH FILTER (NOT SHOWN)

POWER WASHER PUMP, AXIAL - REPLACEMENT PARTS



REF.#	Part#	QTY	Description
KIT A	A0000021655	1	CHEMICAL INJECTION BARB KIT
KIT B	A0000021658	1	THERMAL RELIEF VALVE
KIT C	A0000021659	1	INLET CONNECTION KIT
KIT D	A0000021656	1	VENTURI KIT
KIT E	A0000021657	1	UNLOADER KIT
KIT F	A0000052348	1	CHECK VALVE KIT
KIT G	A0000052347	1	HI PRESSURE SEAL KIT
KIT H	A0000055049	1	FIX VENTURI KIT
41	10000040494	1	OUTLET PORT
64	10000040502	1	U SHAPE PIN

Torque Table			
REF.#	Part#	QTY	Torque (Unit N*M)
13	G058306	3	26-32
26	10000040459	1	16-18
29	G059985	3	26-32
33	0H9570	1	13-15
41	10000040494	1	25-35
58	10000040448	1	3-5
63	10000040493	1	4-6
67	10000047001	5	7-9